

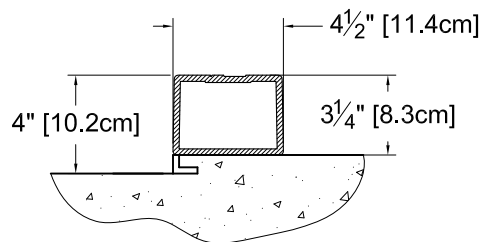
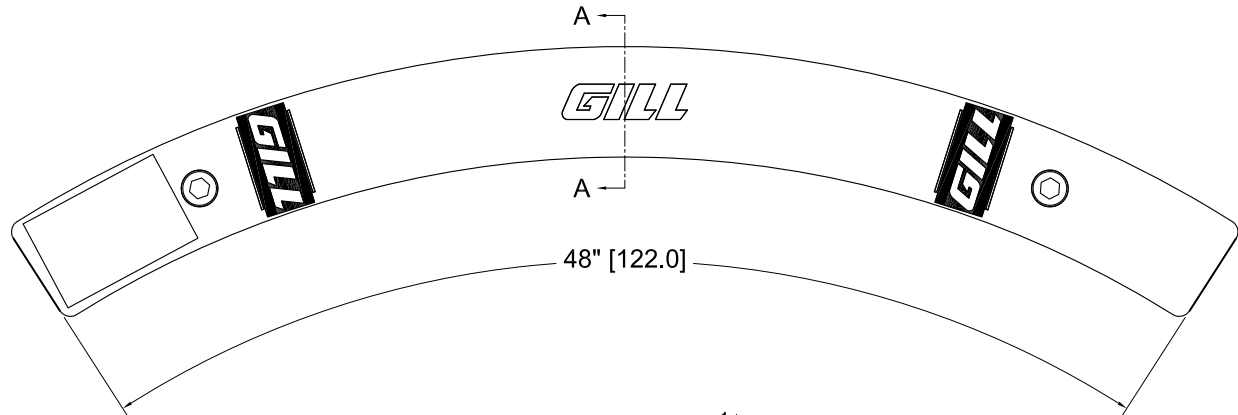


www.gillathletics.com
800-637-3090

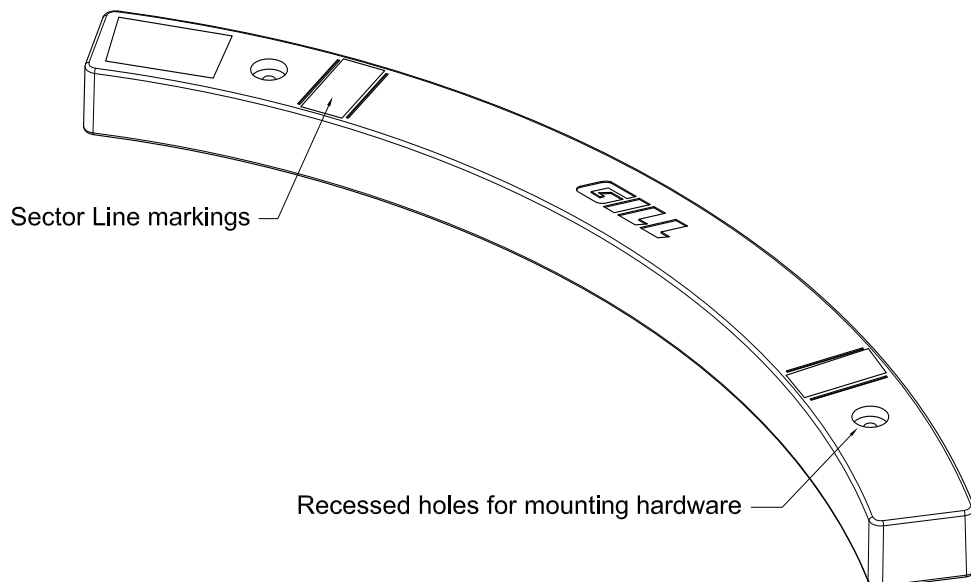
358 - SYNTHETIC TOEBOARD for RECESSED PAD SPECIFICATIONS

SPECIFICATIONS

The 358 Synthetic Shot Put Toeboard is designed to be used with a 3/4" [19mm] depressed throwing surface formed by an aluminum shot circle embedded in the concrete pad. The toeboard is fabricated from low density polyethylene with a wall thickness of 1/4" [6.4mm]. The toe board is white and features sector line markings. This toeboard meets all NFSHSA, NCAA, and IAAF requirements.



Section A-A





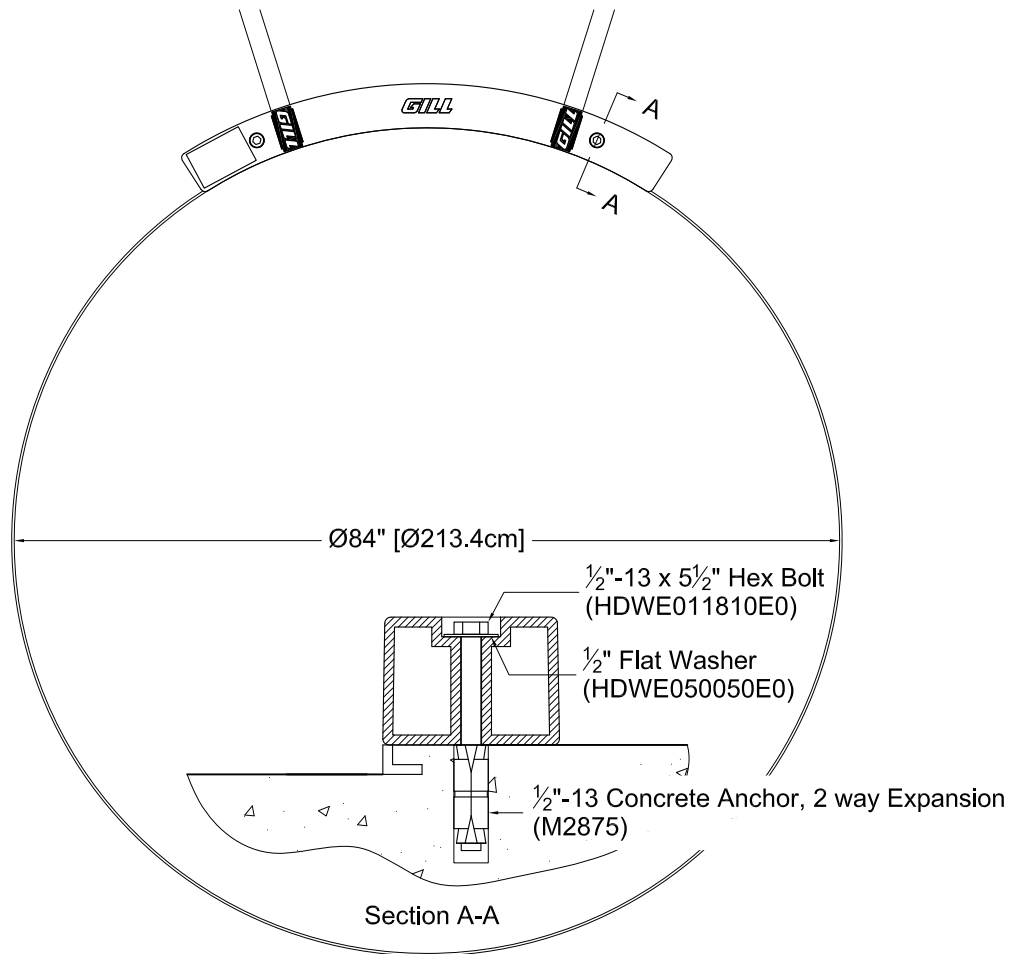
www.gillathletics.com
800-637-3090

358 - SYNTHETIC TOEBOARD for RECESSED PAD INSTALLATION INSTRUCTIONS

INSTRUCTIONS

1. The 358 toeboard is mounted to a concrete pad with a 3/4" [19mm] depressed throwing surface.
2. Using the toeboard as a template, mark the center of the holes to be drilled for the bolt anchors. Be sure the toeboard is properly positioned with the inside curved edge of the toeboard even with the inner edge of the ring. The toeboard must also be centered on the sector lines.
3. Drill the $\text{\O}7/8$ " holes for the expansion anchor about $2\text{\O}3/4$ " deep. Remove dust and debris from the holes. Tap the anchors into the holes with the threaded end first. The anchor should be flush with the top of the concrete. DO NOT drive the anchor to the bottom of the hole.
4. Position the toeboard with the holes aligned with the anchors. Place the $1/2$ " washer in the recessed hole. Insert the $1/2$ "-13 x $5\text{\O}1/2$ " hex bolts into the holes and, using a socket wrench, tighten the bolts down.

NOTE: Toeboard must be centered on sector lines



NOTICE: All installations should be done by experienced contractors and in accord with all applicable codes, laws and regulations. Suggested installation instructions herein are illustrative only and should be adapted to suit local requirements. Gill Athletics is not responsible for the manner in which these products are installed.

THIS WARNING IS GIVEN IN COMPLIANCE
WITH CALIFORNIA'S PROPOSITION 65:

WARNING

This product contains chemicals known to the
State of California to cause cancer, birth defects
or other reproductive harm.

suggestions@gillathletics.com

Copyright ©2010 by Gill Athletics. All rights reserved.

GILL ATH
07-01-2010
358_inst