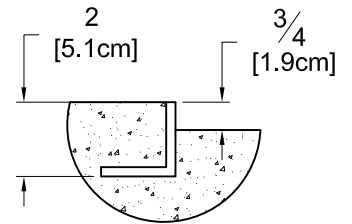




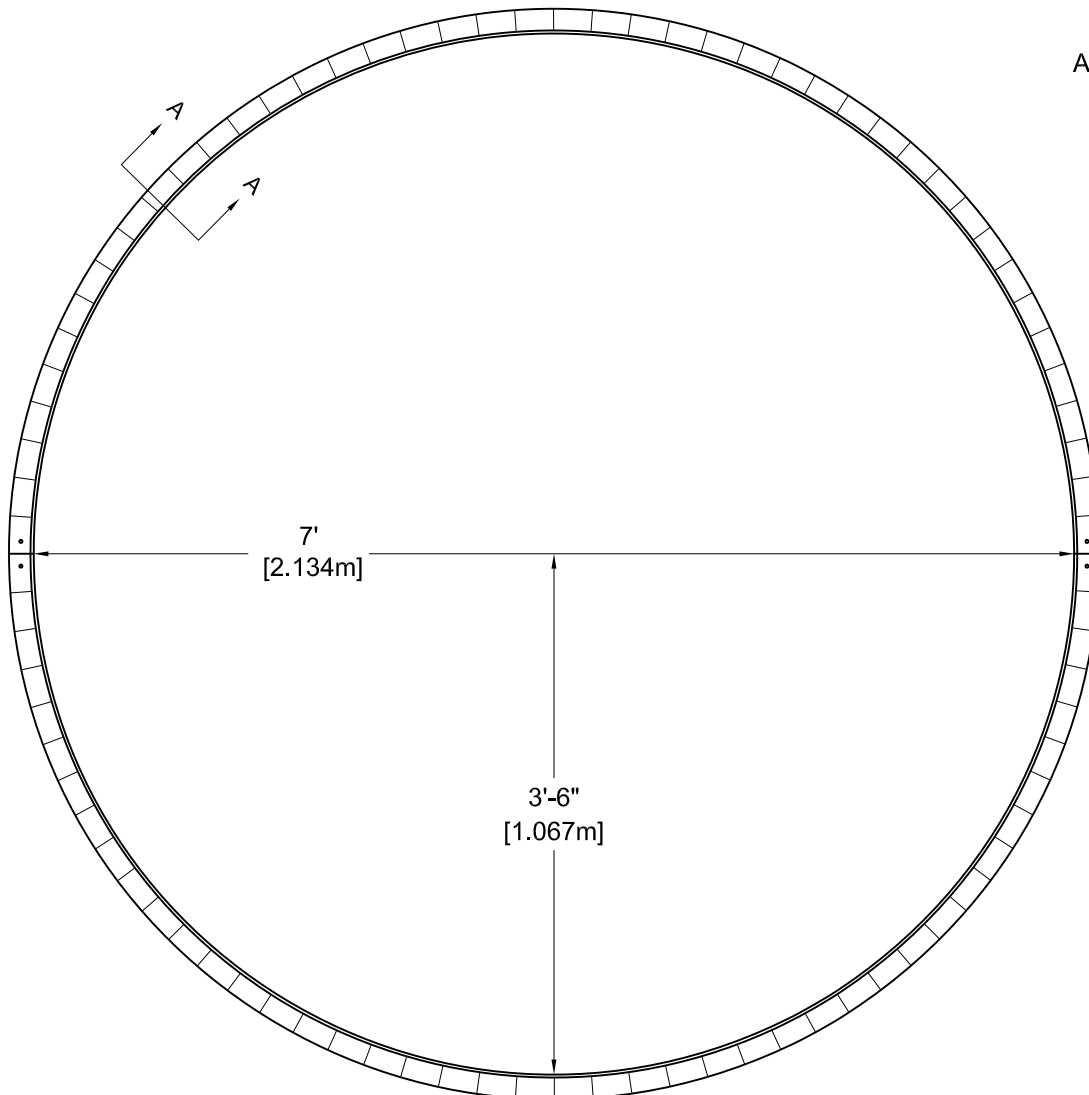
www.gillathletics.com
800-637-3090

374 - ALUMINUM SHOT CIRCLE SPECIFICATION

The 374 Aluminum Shot Circle is designed to be incorporated into concrete to form a 3/4" [19mm] deep depressed pad. The circle consists of two half sections fabricated from 2" x 2" x 1/4" [50.8mm x 50.8mm x 6.35mm], 6063-T5 aluminum sq corner angle. This circle meets NFSHSA, NCAA, and IAAF specifications.



SECTION A-A
AFTER INSTALLATION



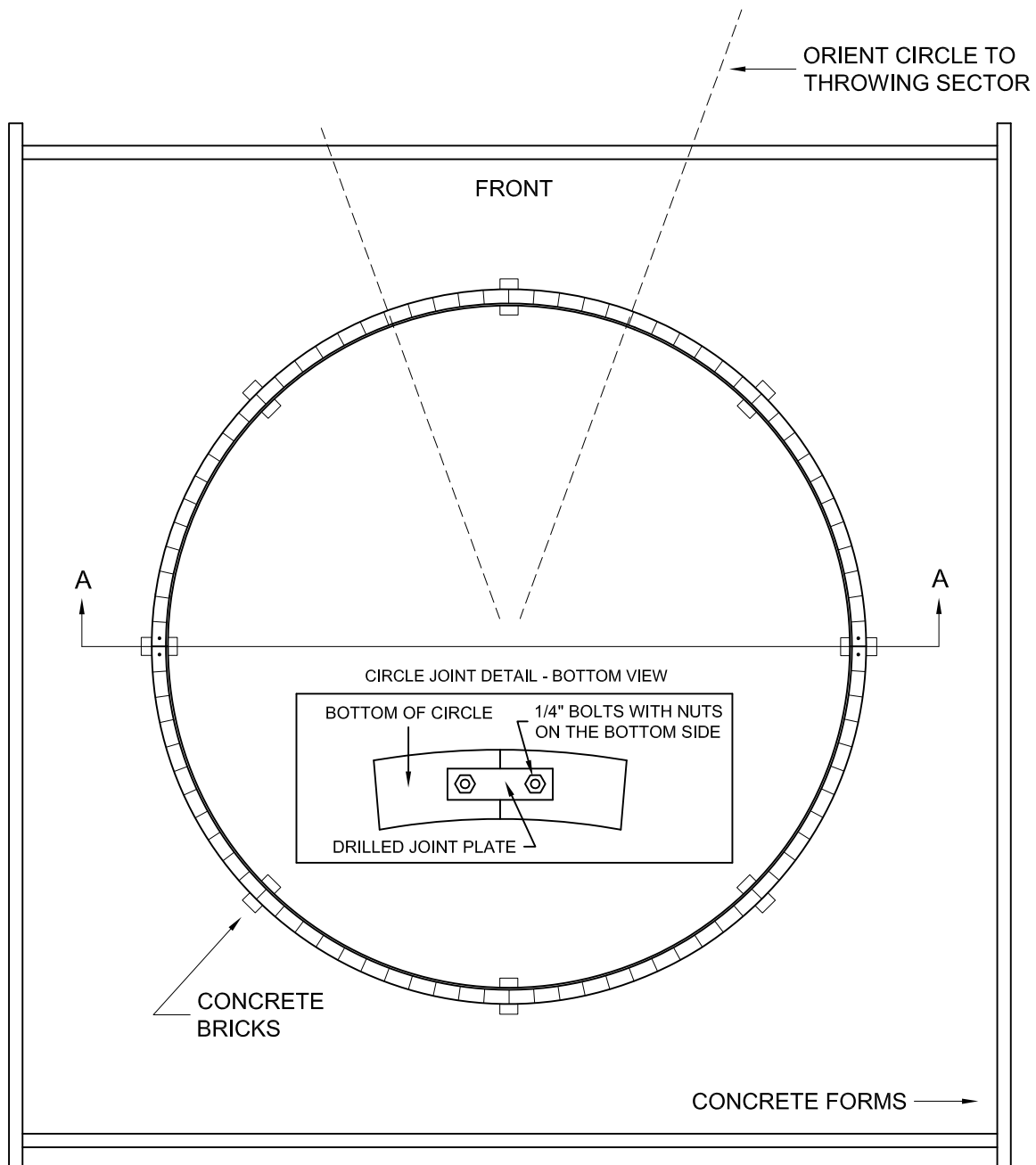


www.gillathletics.com
800-637-3090

374 - ALUMINUM SHOT CIRCLE DEPRESSED PAD INSTALLATION

INSTRUCTIONS FOR CIRCLE ASSEMBLY AND FORMS PLACEMENT

1. Lay circle sections out end to end on a flat surface. Check to ensure that the upper edges of both sections are flush with each other.
2. Locate the center of the circle and the pad with respect to the track and mark the required sector lines to properly orient the pad.
3. Position the forms as shown. The top of the forms should be leveled $3/4"$ [19mm] above the desired throwing surface height. Rules require the throwing surface to be on the same level as the landing area.



NOTICE: All installations should be done by experienced contractors and in accord with all applicable codes, laws and regulations. Suggested installation instructions herein are illustrative only and should be adapted to suit local requirements. Gill Athletics is not responsible for the manner in which these products are installed.

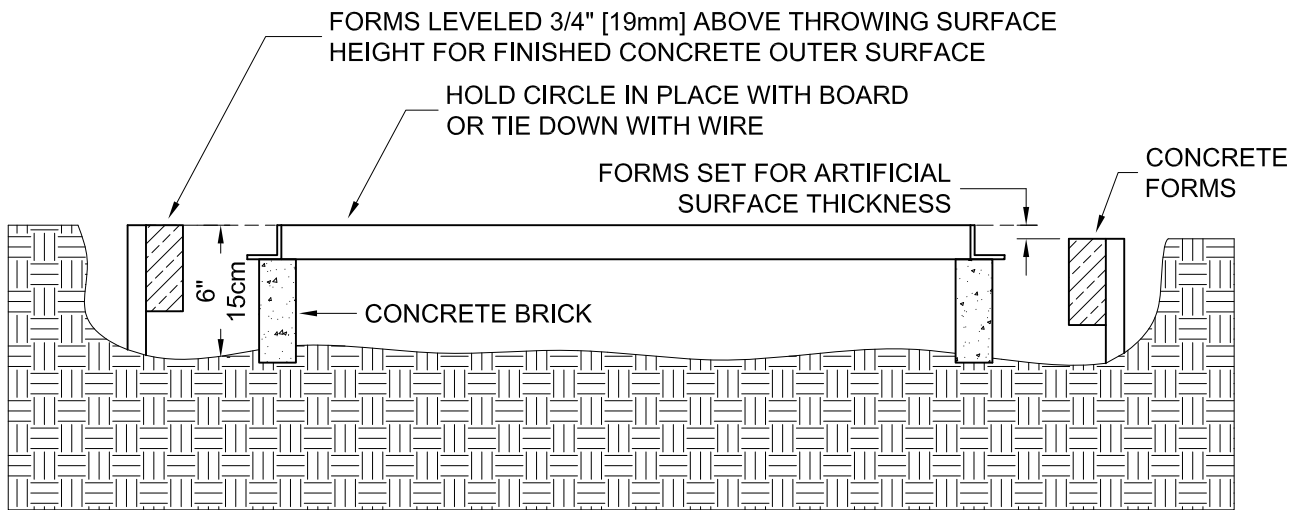


www.gillathletics.com
800-637-3090

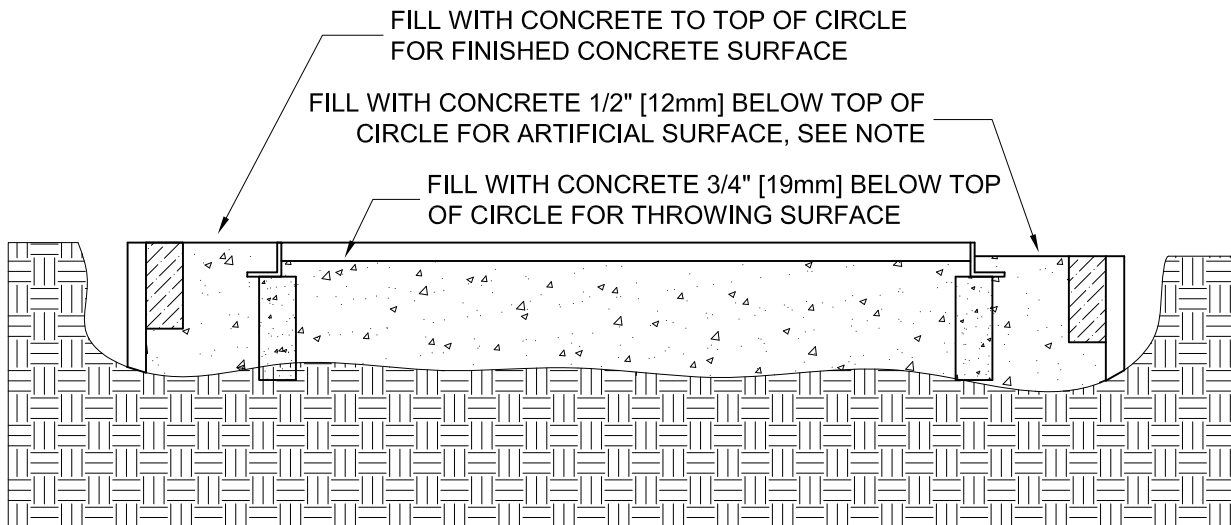
374 - ALUMINUM SHOT CIRCLE DEPRESSED PAD INSTALLATION

INSTRUCTIONS FOR SETTING CIRCLE AND POURING PAD

1. Position the circle in the center of the forms as shown in section A-A #1. The top edge of the circle must be held even with the top of the forms. If artificial track surface is to be installed around the circle, the top edge of the circle must be even with this surface. The circle forms should be lowered to match the thickness of the surface to be installed.
2. If required, install a drain. Position the drain to the side of the circle according to local requirements. Drains must not interfere with the athlete's throw.
3. Pour and level concrete in the center of the circle up to the bottom of the red tape, 3/4" [19mm] below the top edge of the circle as shown in section A-A #2. Finish pouring concrete outside the circle to the top of the circle or to the required level for an artificial surface. Remove tape.



SECTION A-A #1



SECTION A-A #2

NOTE: FOR ARTIFICIAL TRACK SURFACES, THE DISTANCE THE CONCRETE IS FINISHED BELOW THE TOP OF THE CIRCLE SHOULD MATCH THE THICKNESS OF THE SURFACE TO BE INSTALLED.

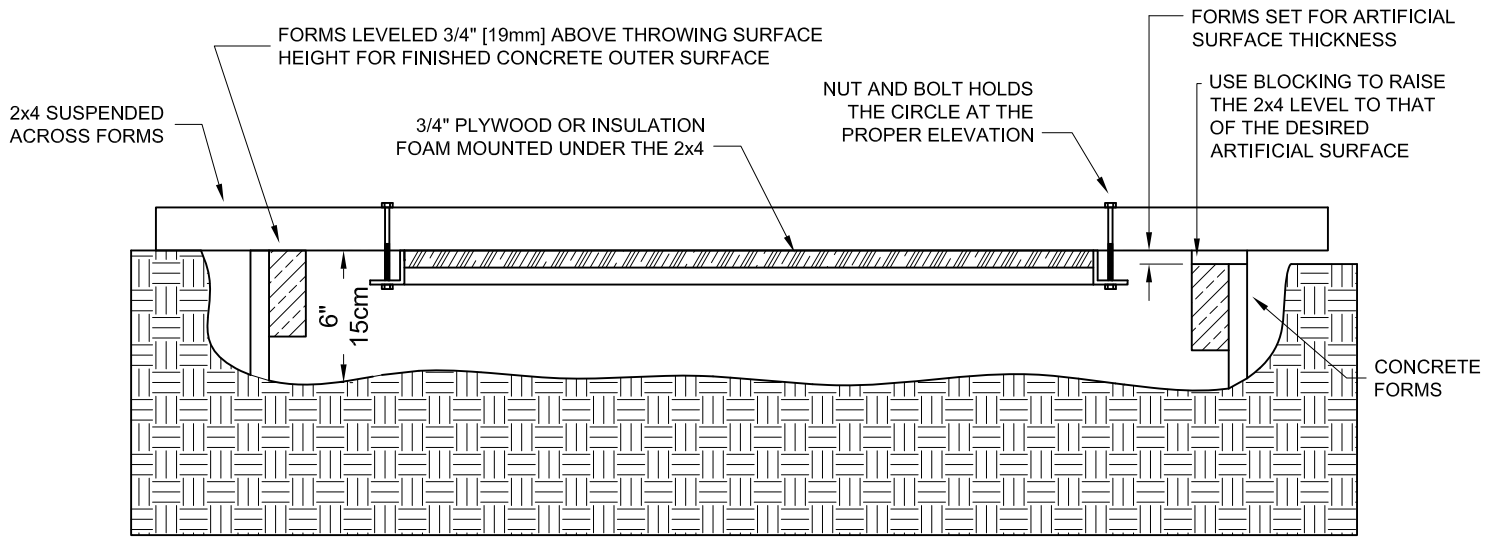


www.gillathletics.com
800-637-3090

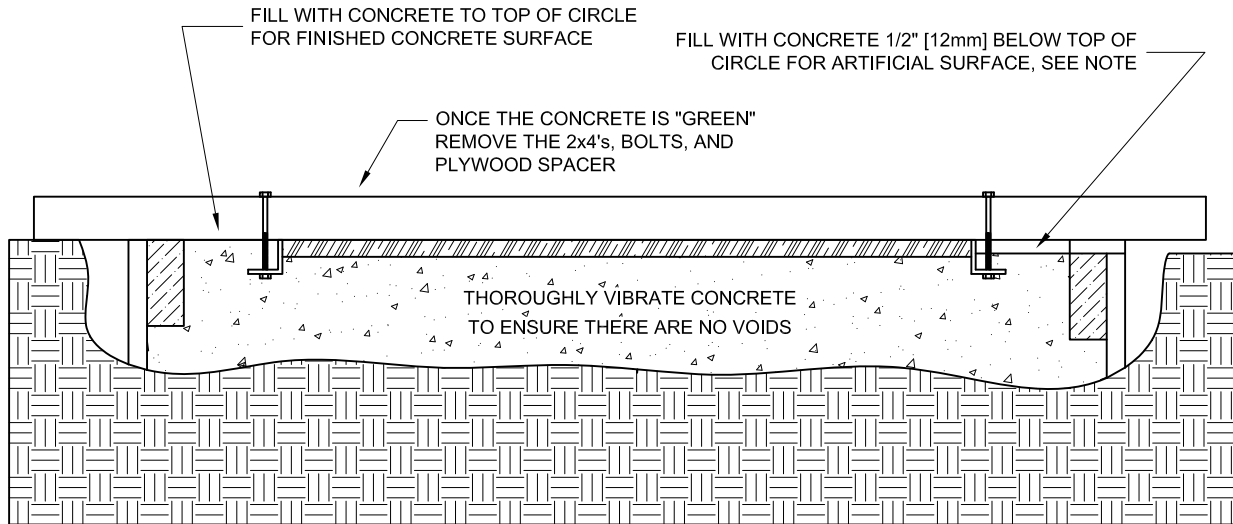
374 - ALUMINUM SHOT CIRCLE DEPRESSED PAD INSTALLATION

ALTERNATE INSTRUCTIONS FOR SETTING CIRCLE AND POURING PAD

1. Position the circle in the center of the forms as shown in section A-A #1. The top edge of the circle must be held even with the top of the forms. If artificial track surface is to be installed around the circle, the top edge of the circle must be even with this surface. The circle forms should be lowered to match the thickness of the surface to be installed.
2. If required, install a drain. Position the drain to the side of the circle according to local requirements. Drains must not interfere with the athlete's throw.
3. Pour concrete outside of the circle and vibrate thoroughly to ensure there are voids under the plywood spacer. Finish pouring concrete outside the circle to the top of the circle or to the required level for an artificial surface.



SECTION A-A #1



SECTION A-A #2

NOTE: FOR ARTIFICIAL TRACK SURFACES, THE DISTANCE THE CONCRETE IS FINISHED BELOW THE TOP OF THE CIRCLE SHOULD MATCH THE THICKNESS OF THE SURFACE TO BE INSTALLED.

THIS WARNING IS GIVEN IN COMPLIANCE WITH CALIFORNIA'S PROPOSITION 65:

WARNING

This product contains chemicals known to the State of California to cause cancer, birth defects or other reproductive harm.

suggestions@gillathletics.com

Copyright ©2013 by Gill Athletics. All rights reserved.

GILL ATH
11-14-13
INST374_4