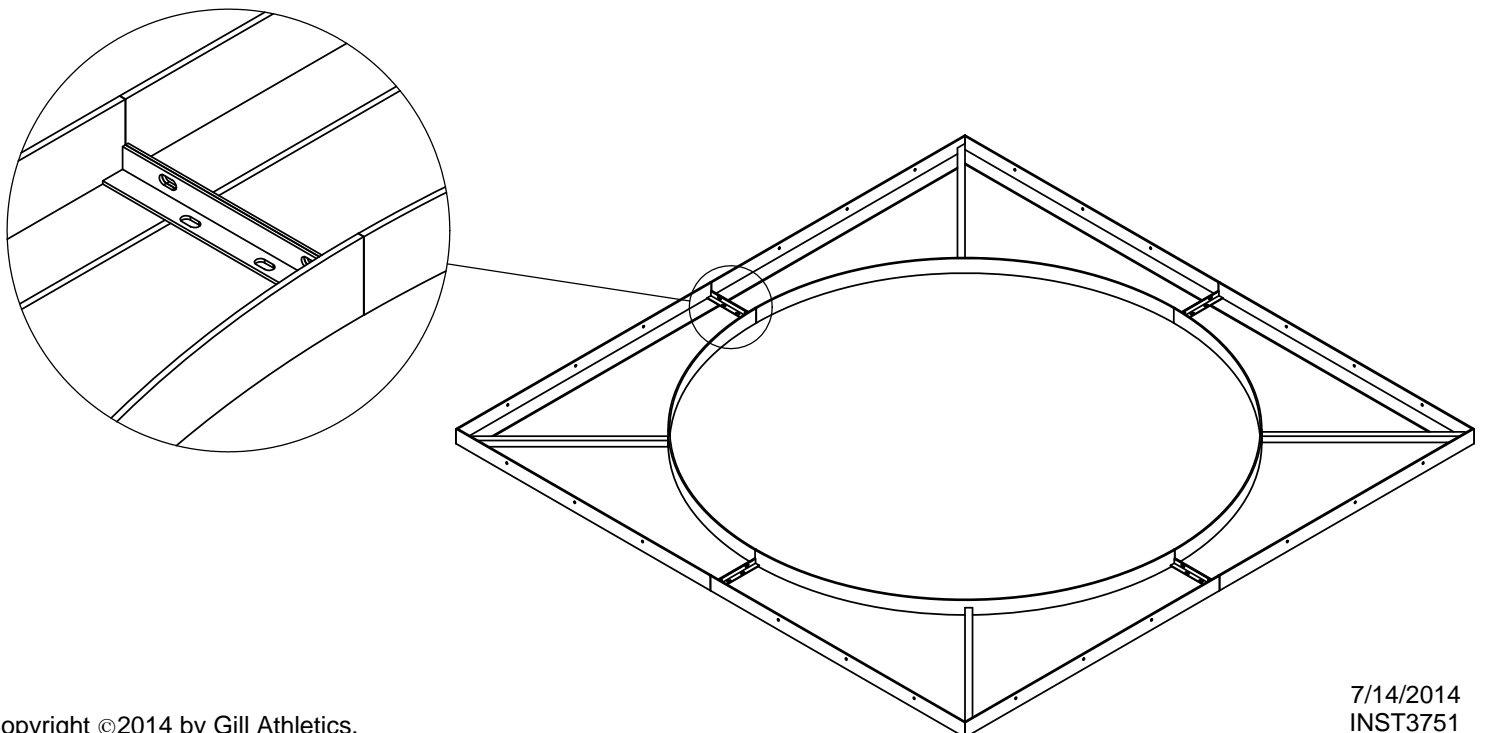


The 3751 Discus throwing circle form is a four part bolt together form that is adaptable for a variety of in-ground installation practices. Drainage can be incorporated. Aluminum exterior bracing creates a strong frame yet leaves the center open for the smoothest pour and crack-resistant finish. Outer frame is 2" x 3" aluminum angle, inner circle is 1/4" x 3" Aluminum flat bar.

**Hardware List:**

- (8) 5/16" Plated Wing Nuts
- (8) 5/16" x 1 1/4" Bolts
- (16) 5/16" Plate Flat Washers

- 1) Arrange four quadrants to form inner circle, oriented in accordance with architect's specs.
- 2) Bolt the form together using the supplied hardware through the slotted angle pieces. Tighten down until snug, and frame becomes rigid.
- 3) Check inner circle sits flush at joints with smooth transitions. Adjust form if necessary.
- 4) Measure diameter of circle front (sector side) to back (cage side) and check for correctness as according to the governing organization (NFHS, NCAA, IAAF). Diameter must be 98 7/16" +/- 3/16"
- 5) Mark interior surface of circle 3/4" from top edge. This is your fill line. Inner fill must be 3/4" +/- 1/16" from top edge.



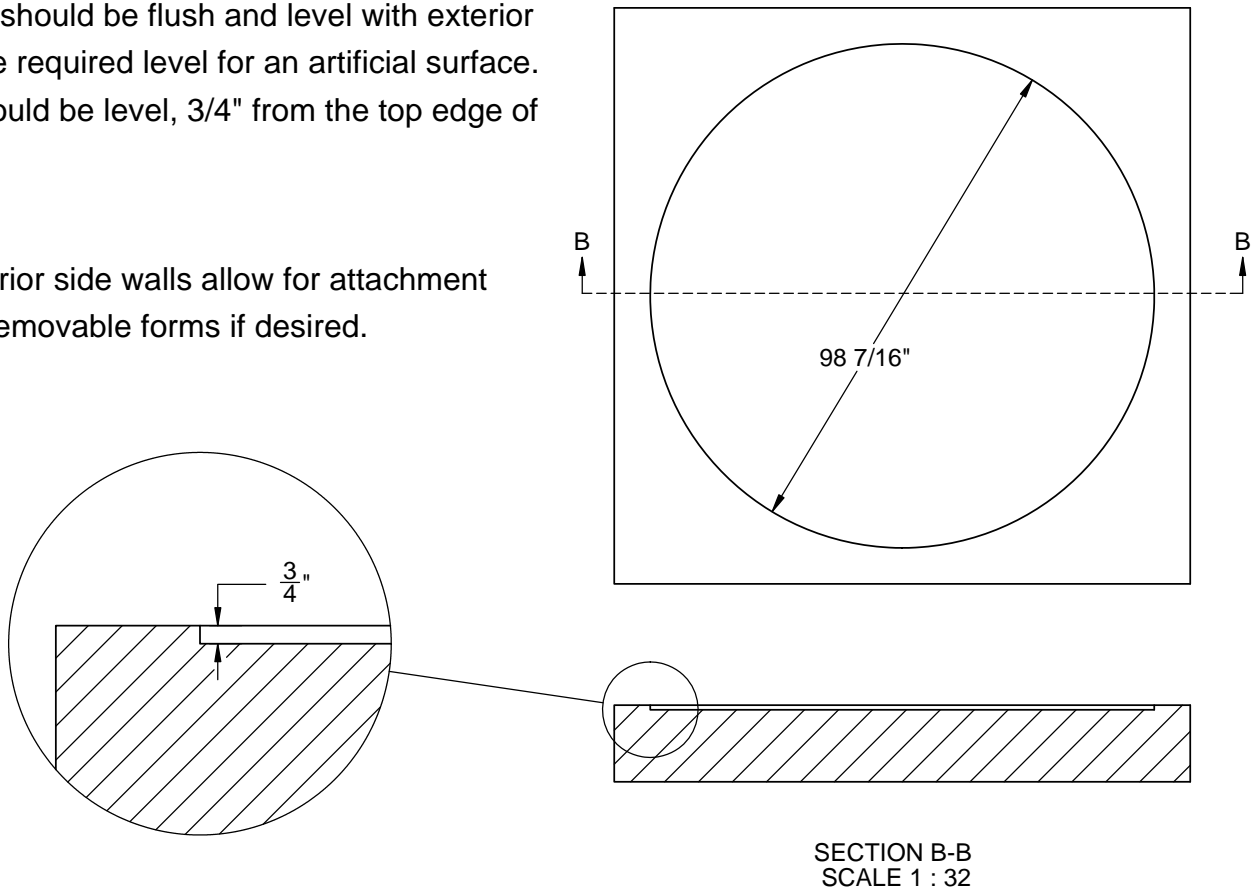


www.gillathletics.com  
800-637-3090

## 3751 - DISCUS THROWING CIRCLE FORM INSTRUCTIONS

6) Outer pour should be flush and level with exterior edge, or to the required level for an artificial surface. Inner pour should be level,  $\frac{3}{4}$ " from the top edge of the frame.

\*Holes in exterior side walls allow for attachment to additional removable forms if desired.



\*Drainage pipe may be secured on underneath side of form through secondary slots/holes in 1" angle braces. If incorporating drainage in interior of circle, we recommend that the drain is level or slightly depressed from finished surface and is no larger than 1", and is placed along left or right wall as to be least intrusive to the athletic competition.

It is important to read all instructions before beginning installation. NOTICE: All installations should be conducted by experienced contractors and in accord with all applicable code, laws, and regulations. Suggested instructions herein are illustrative only and should be adapted to suit local requirements. Gill Athletics is not responsible for the manner in which this product is installed.

THIS WARNING IS GIVEN IN COMPLIANCE  
WITH CALIFORNIA'S PROPOSITION 65:

**WARNING**

This product contains chemicals known to the  
State of California to cause cancer, birth defects  
or other reproductive harm.