



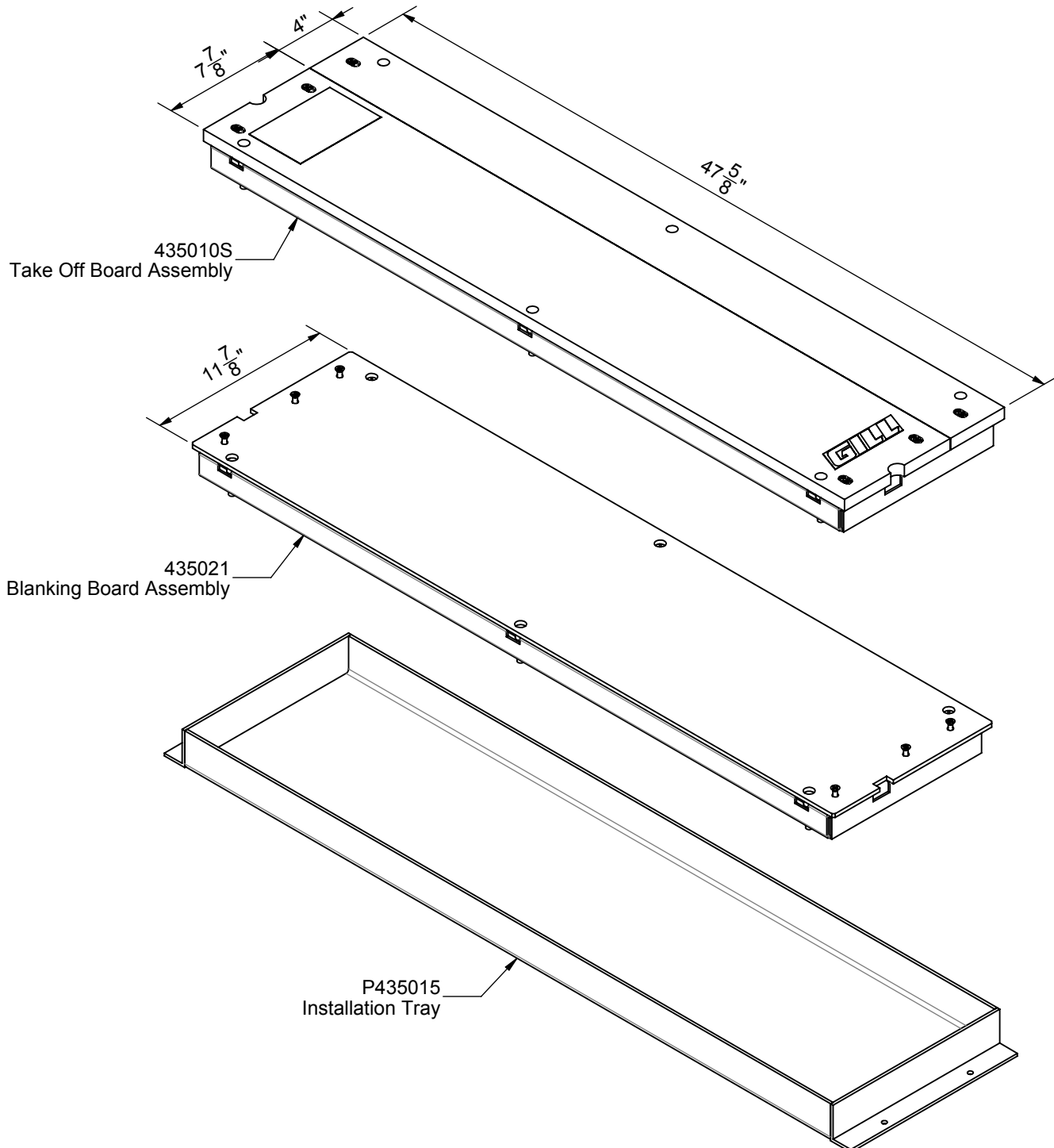
www.gillathletics.com
800-637-3090

4350S - TAKE OFF & NCAA FOUL BOARD SYSTEM SPECIFICATION

The 4350S consists of a take off board assembly, blanking board assembly and an installation tray.

The take off board assembly has an adjustable aluminum base board. The weather resistant composite take off board and foul boards are 3/4" thick. The take off board and base board have holes in them so that the base board can be leveled from the top down.

Meets NCAA rules

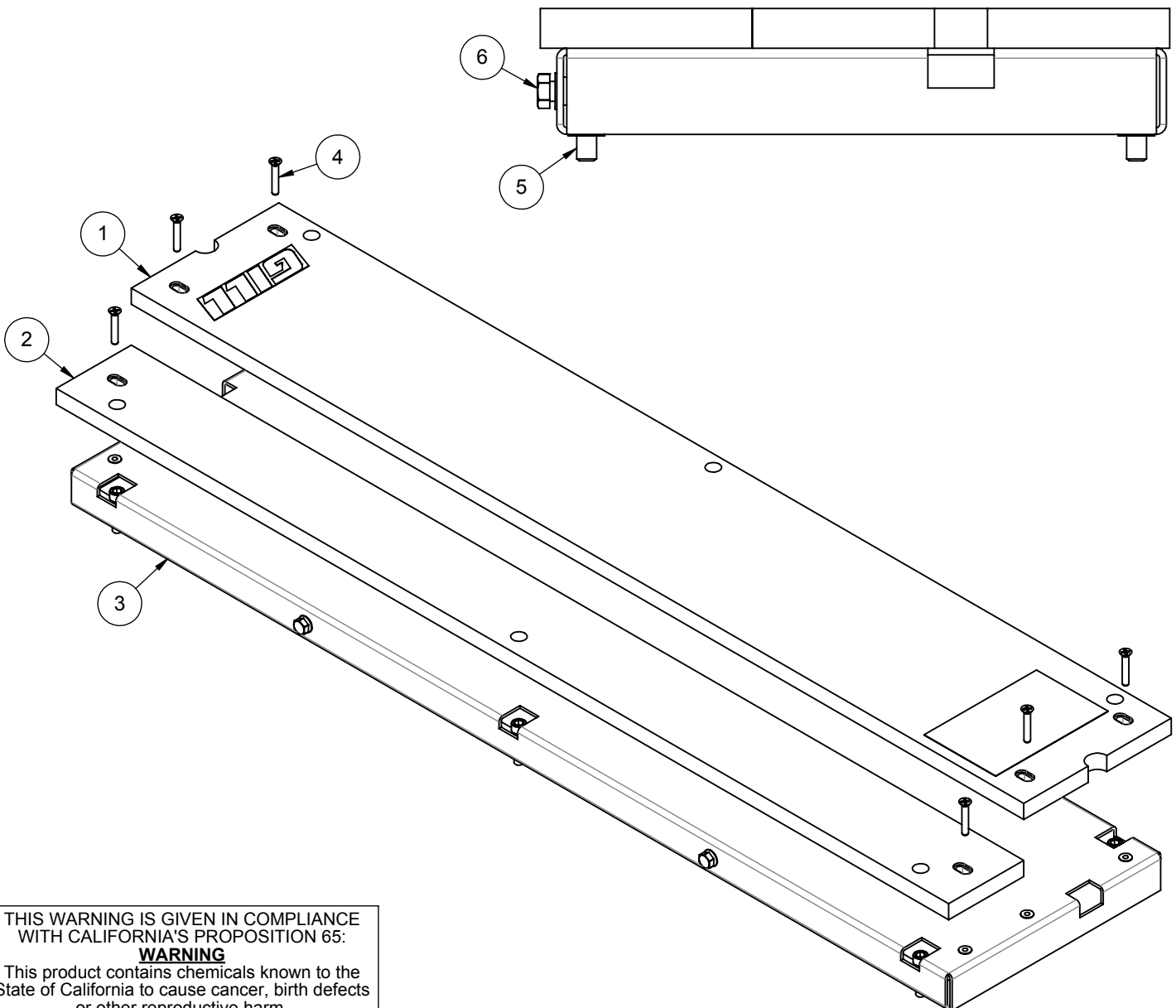




www.gillathletics.com
800-637-3090

4350S - TAKE OFF & NCAA FOUL BOARD SYSTEM SPECIFICATION

	PART #	DESCRIPTION	QTY
1	P435005	Take Off Board	1
2	P435007	Plastic NCAA Foul Board	1
3	P435008	Leveling Base Board	1
4	M2257	1/4"-20 x 1.5" SS FH Phillips Screw	6
5	M2530	3/8"-16 x 1.5" SS Socket Cap Screw	6
6	M2787	3/8"-16 x 1" SS Hex Bolt	2



THIS WARNING IS GIVEN IN COMPLIANCE
WITH CALIFORNIA'S PROPOSITION 65:

WARNING

This product contains chemicals known to the
State of California to cause cancer, birth defects
or other reproductive harm.