



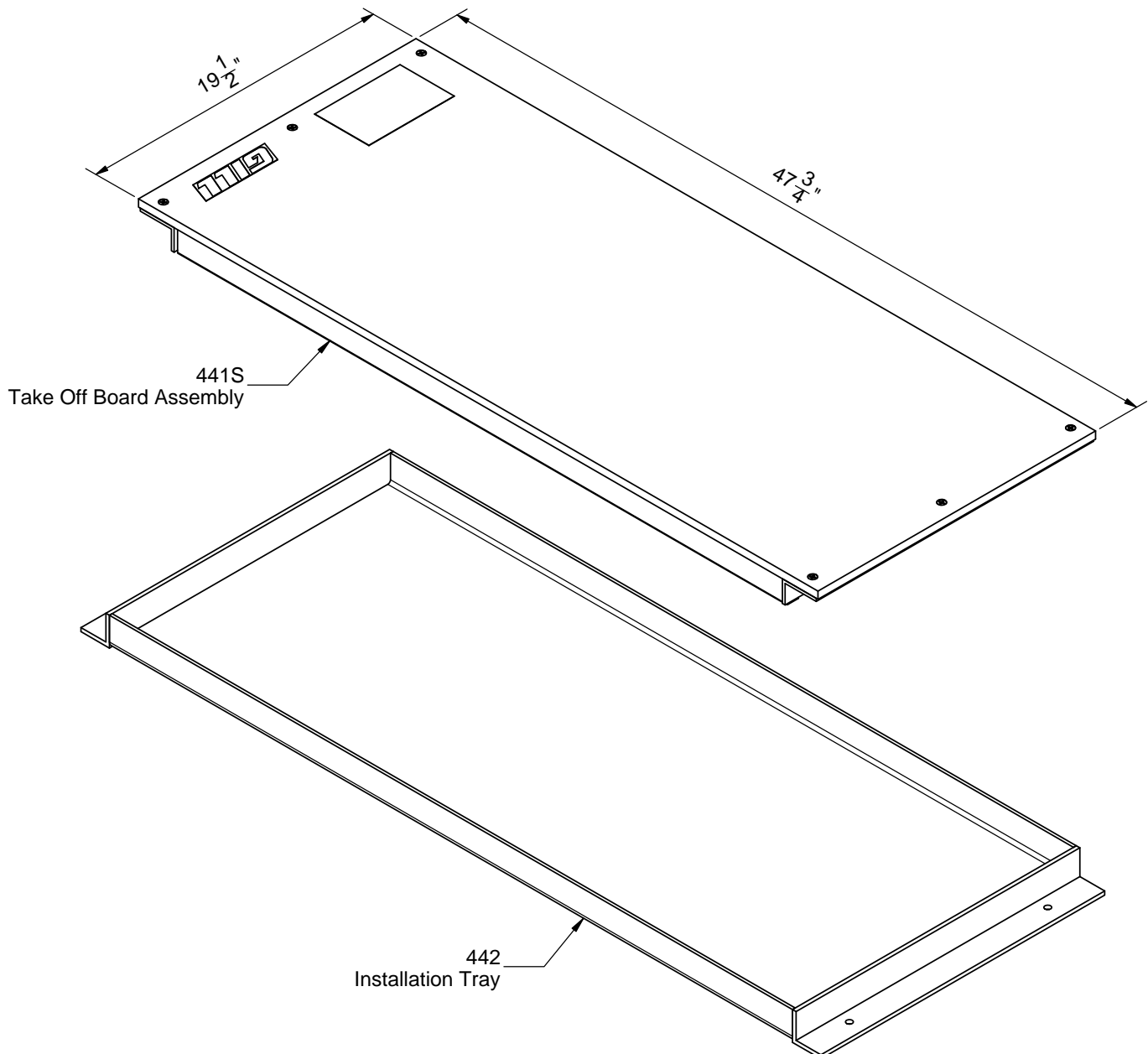
www.gillathletics.com
800-637-3090

441TS - 19.5" TAKE OFF BOARD SYSTEM SPECIFICATION

The 441TS consists of a take off board assembly and an installation tray.

The take off board assembly includes an aluminum base board and a 1/2" thick weather resistant composite take off board.

Meets NFHS rules.

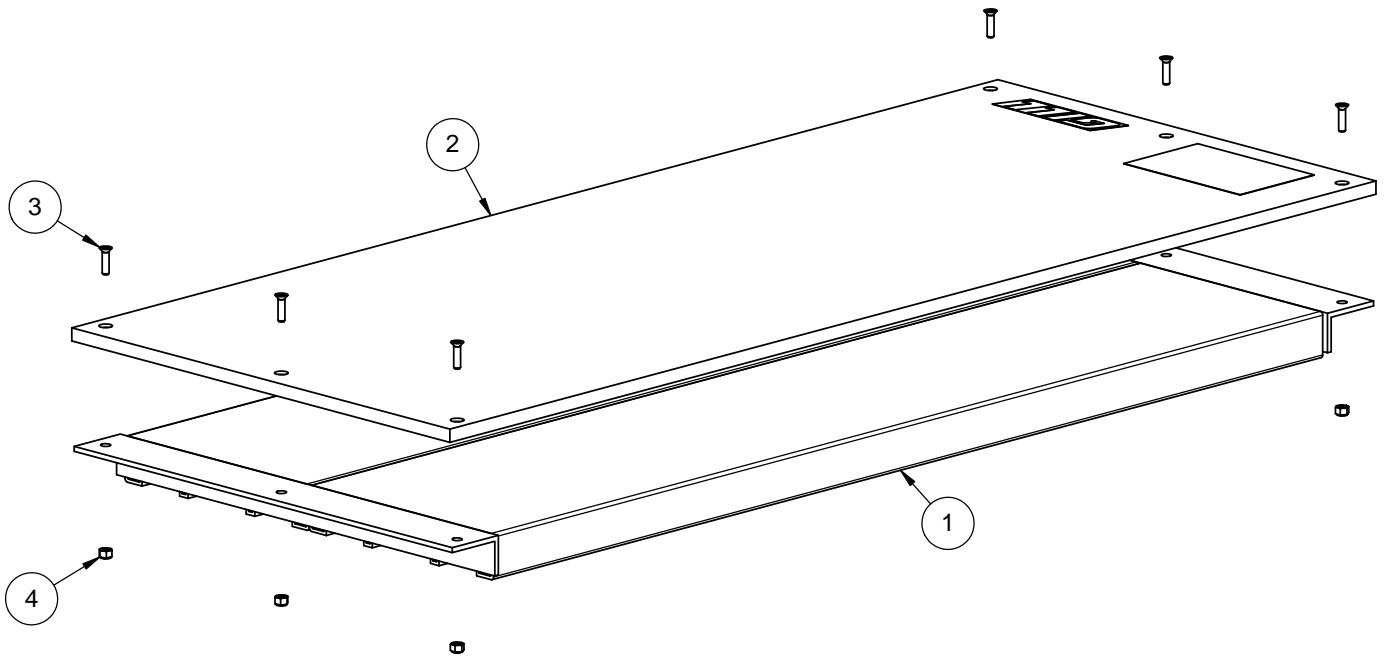




www.gillathletics.com
800-637-3090

441TS - 19.5" TAKE OFF BOARD SYSTEM SPECIFICATION

	PART #	DESCRIPTION	QTY
1	P44128	Base Board	1
2	44105	19.5" Composite Take Off Board	1
3	M1287	1/4-20 X 1" Phillips Flat Head Screw SS	6
4	M1290	1/4-20 Nylock Hex Nut	6



To make a blanking board, bond 1/2" track surface to the top of an extra base board.

THIS WARNING IS GIVEN IN COMPLIANCE
WITH CALIFORNIA'S PROPOSITION 65:

WARNING

This product contains chemicals known to the
State of California to cause cancer, birth defects
or other reproductive harm.