



www.gillathletics.com  
800-637-3090

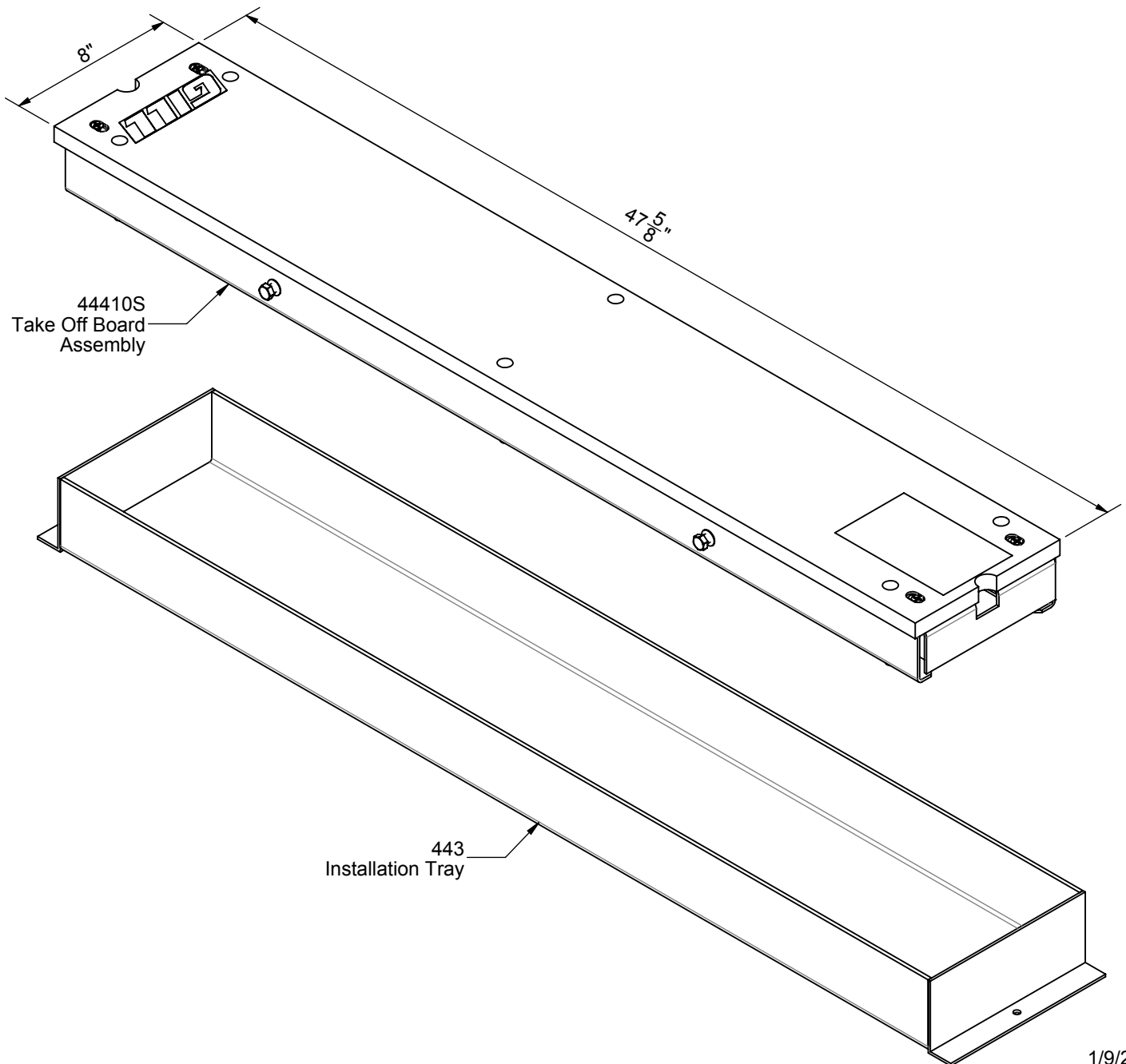
## 444S - 8" TAKE OFF BOARD SYSTEM SPECIFICATION

The 444S consists of a take off board assembly and an installation tray.

The take off board assembly has an adjustable aluminum base board. The weather resistant composite take off board is 3/4" thick. The take off board and base board have holes in them so that the base board can be leveled from the top down.

Meets NFHS rules

Meets NCAA rules

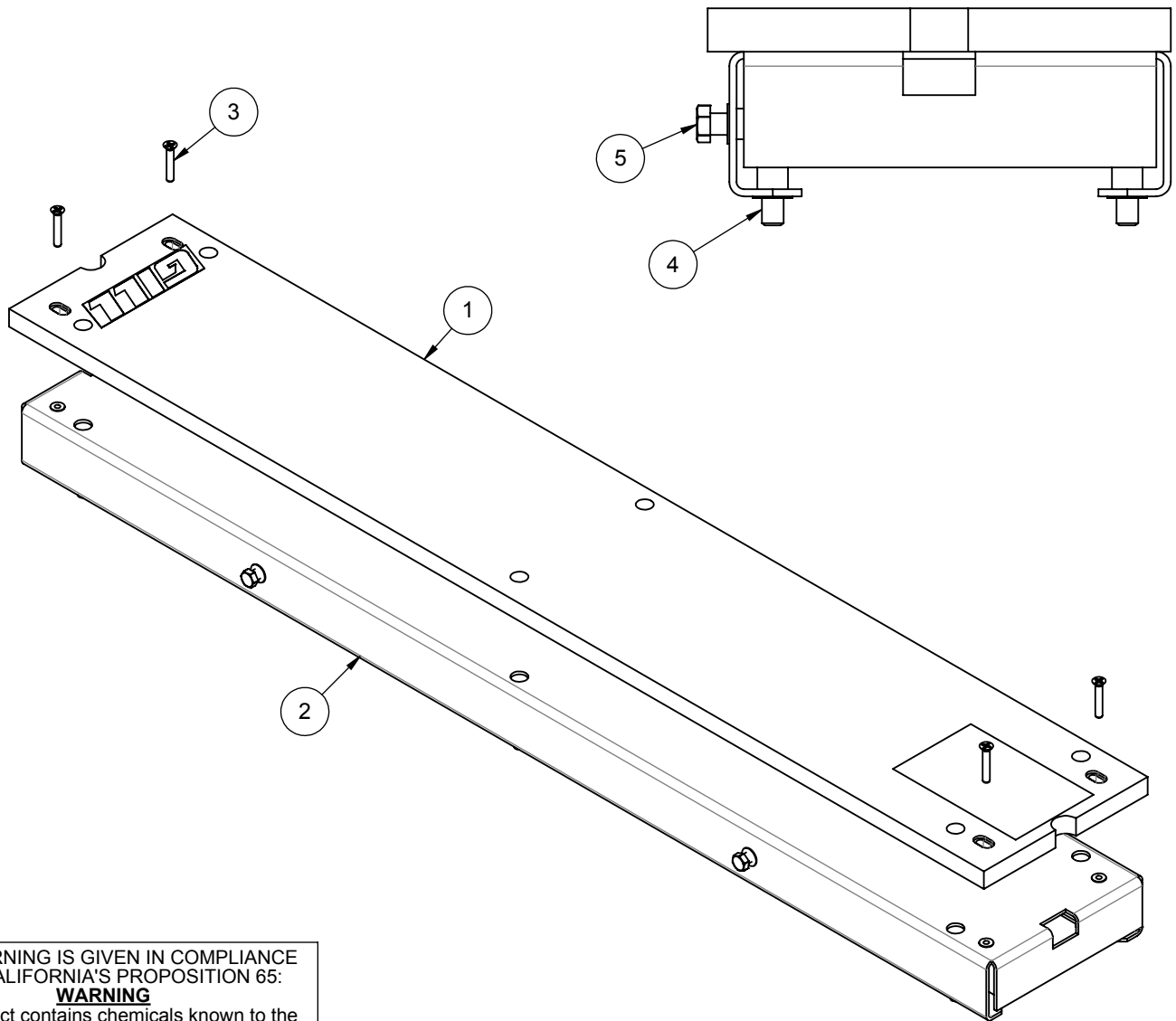




www.gillathletics.com  
800-637-3090

## 444S - 8" TAKE OFF BOARD SYSTEM SPECIFICATION

|   | PART # | DESCRIPTION                           | QTY |
|---|--------|---------------------------------------|-----|
| 1 | 44405  | 444 System Take Off Board - Polyboard | 1   |
| 2 | P44402 | Leveling Base Board                   | 1   |
| 3 | M2257  | 1/4"-20 x 1.5" SS FH Phillips Screw   | 4   |
| 4 | M2530  | 3/8"-16 x 1.5" SS Socket Cap Screw    | 6   |
| 5 | M2787  | 3/8"-16 x 1" SS Hex Bolt              | 2   |



THIS WARNING IS GIVEN IN COMPLIANCE  
WITH CALIFORNIA'S PROPOSITION 65:

**WARNING**

This product contains chemicals known to the  
State of California to cause cancer, birth defects  
or other reproductive harm.