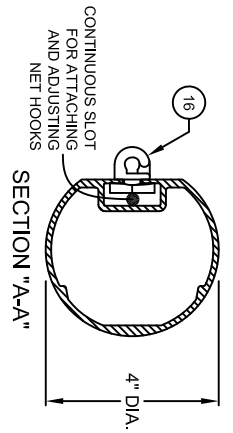
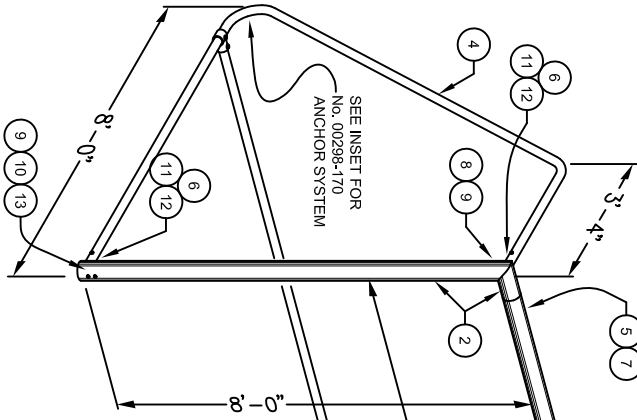


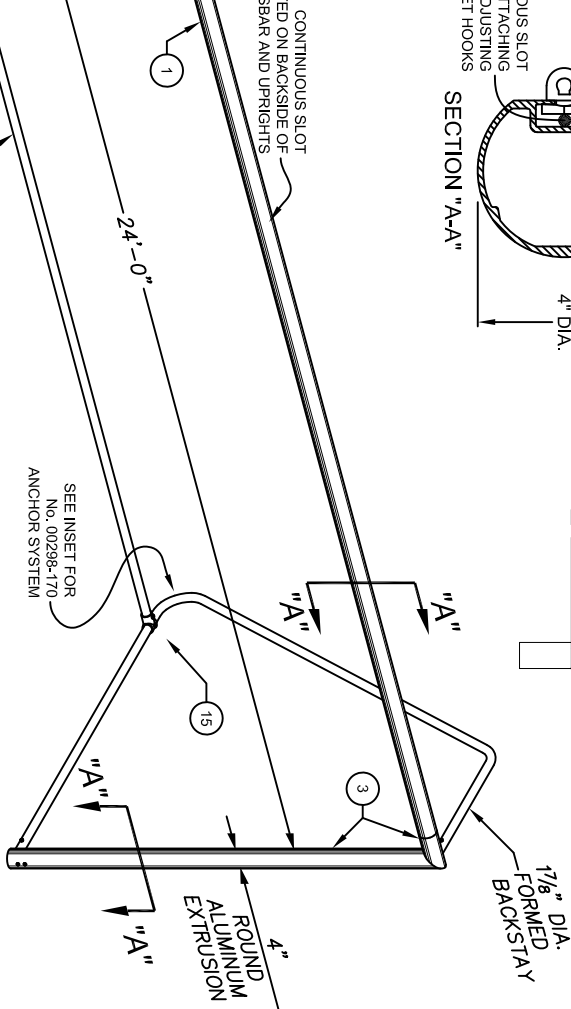
GOAL USED IN 48713

No.	QTY.	DESCRIPTION
1	2	FRAME-487200 CROSSBAR
2	2	FRAME-487200 SIDEFRAME -Left/Hand
3	2	FRAME-487200 SIDEFRAME -Right/Hand
4	4	FRAME 00427 000 FORMED BACKSTAY
5	4	FLAT 48722 100 CROSSBAR TAPPED FLAT
6	8	BKRT1 00041 003 BACKSTAY BRACKET
7	12	HDWE 01124 000 3/8" x 1/2" LG. SET SCREW
8	8	HDWE 01124 000 3/8" x 1" LG. HEX HEAD CAP SCREW (G.-5)
9	16	HDWE 04002 000 3/8" LOCK WASHER
10	8	HDWE 03002 000 3/8" HEX NUT
11	8	HDWE 01208 000 3/8" x 2 1/2" LG. HEX HEAD CAP SCREW (G.-5)
12	8	HDWE 03072 000 3/8" CONNEX LOCK NUT
13	8	HDWE 06155 000 3/8" x 4 1/2" LG. BUTTON HEAD CAP SCREW
14	2	TUBR 00042 000 SPREADER TUBE 4 1/8" DIA. x 24" x 2 1/4" LG.
15	4	TEES 00016 000 TEE FITTING 1-1/8" TO 1-7/8"
16	80	ROPE 00082 000 NET HOOK
17	20	ELEC 00218 002 CABLE TIE (NOT SHOWN)
18	1	00298-170 ANCHOR SYSTEM (SEE INSET)



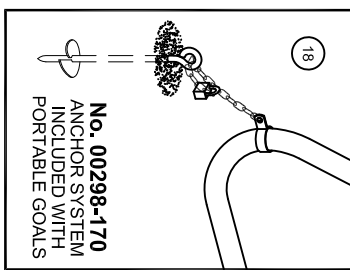
CONTINUOUS SLOT
LOCATED ON BACKSIDE OF
CROSSBAR AND UPRIGHTS

CORNERS REINFORCED WITH BUILT IN
WELDED 1/8" WALL TUBULAR STEEL



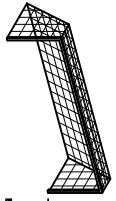
WARNING

ALL PORTABLE SOCCER GOALS MUST BE ANCHORED TO COMPLY WITH THE "GUIDELINES FOR MOVABLE SOCCER GOAL SAFETY" AS PUBLISHED BY THE U.S. CONSUMER PRODUCT SAFETY COMMISSION. TO OBTAIN COPIES OF THIS DOCUMENT, CONTACT PORTER, OR WRITE TO THE U.S. CONSUMER PRODUCT SAFETY COMMISSION AT THIS ADDRESS:
U.S. CONSUMER PRODUCT SAFETY COMMISSION
WASHINGTON, D.C. 20207



- OPTIONAL ACCESSORIES**
- No. 00069-204 UPRIGHT PADDING
 - No. 00417-080 SEASONAL ANCHOR SYSTEM
 - No. 00413-040 INTERNAL WEIGHT BAR KIT
 - No. 00293-000 TRANSPORT KIT
 - No. 00407-020 GOAL LOCKS

- PAGE No.**
- R-69-2
 - R-417
 - R-413
 - R-293
 - R-407



- 487200 ALUMINUM SOCCER GOAL (PAIR)
 - LESS NET
 - 00491-824 SOCCER NET (PAIR)
- SEE PAGE No. R-490 FOR SOCCER NET INFORMATION



www.upper90goals.com
888-277-7778

487200 - CHAMPIONSHIP SOCCER GOAL, PORTABLE R-487200

SPECIFICATIONS

PORTER No. 487200 CHAMPIONSHIP STYLE SOCCER GOALS LESS NET PORTABLE (ONE PAIR)

Soccer goals shall meet all NFHS, NCAA and FIFA requirements for championship soccer tournaments. The bottom edge of the horizontal crossbar shall be located 8'-0" above the playing field, with the uprights positioned with a 24'-0" inside dimension. Goals shall be furnished in six sections (crossbar, two uprights, two backstays, and rear spreader tube) for ease of assembly or dismantling for seasonal use.

Crossbar and uprights are constructed of a 4" diameter lightweight high-tensile (6063-T6) aluminum extrusion finished in a durable white powder-coated finish. Backstays shall be fabricated from 1-7/8" O.D. galvanized steel tubing, and shall be secured to the uprights with steel brackets. All aluminum extrusion sections (crossbar and uprights) shall be designed with an internal continuous channel configuration, and furnished with special molded, high-tensile nylon no-tie net attachment clips for ease of installing or removing the nets. Upright corners shall be reinforced with built in welded 11 gauge tubular steel corner brackets. Uprights shall be secured to the crossbar with these welded steel corner brackets. Backstays shall be of a unitized design, one piece. Backstays shall extend 8'-0" behind the face of the goal. Backstay brackets shall be finished in a durable white powder-coated finish. Spreaders shall be 1-7/8" in diameter and shall be secured to soccer goal backstays with special tee fittings for maximum strength and stability. Spreader tubes and tee fittings shall be finished in a durable galvanized finish.

Goals are furnished complete with an auger-type anchor system (set of four), to attach to the backstays and secure the soccer goals in position. Each anchor shall consist of an auger-type ground anchor, backstay clamp fitting, 12" long chain, and padlock. Auger ground anchor shall screw into grass-type playing fields to a 14" depth to provide excellent grip capabilities.

OPTIONAL ITEMS TO SPECIFY

- See Page No. R-69-2 for specifications on Porter No. 00069-204 Upright Padding (Set of Two, for one goal).
- See Page No. R-417 for specifications on Porter No. 00417-080 Seasonal Anchor System (Set of Eight).
- See Page No. R-413 for specifications on Porter No. 00413-040 Internal Weight Bar Kit (Set of Four).
- See Page No. R-293 for specifications on Porter No. 00293-000 Transport Kit (Set of Two).
- See Page No. R-407 for specifications on Porter No. 00407-020 Soccer Goal Locks (Set of Two).
- See Page No. R-490 for specifications on Porter No. 00491-824 Soccer Goal Net (Pair).