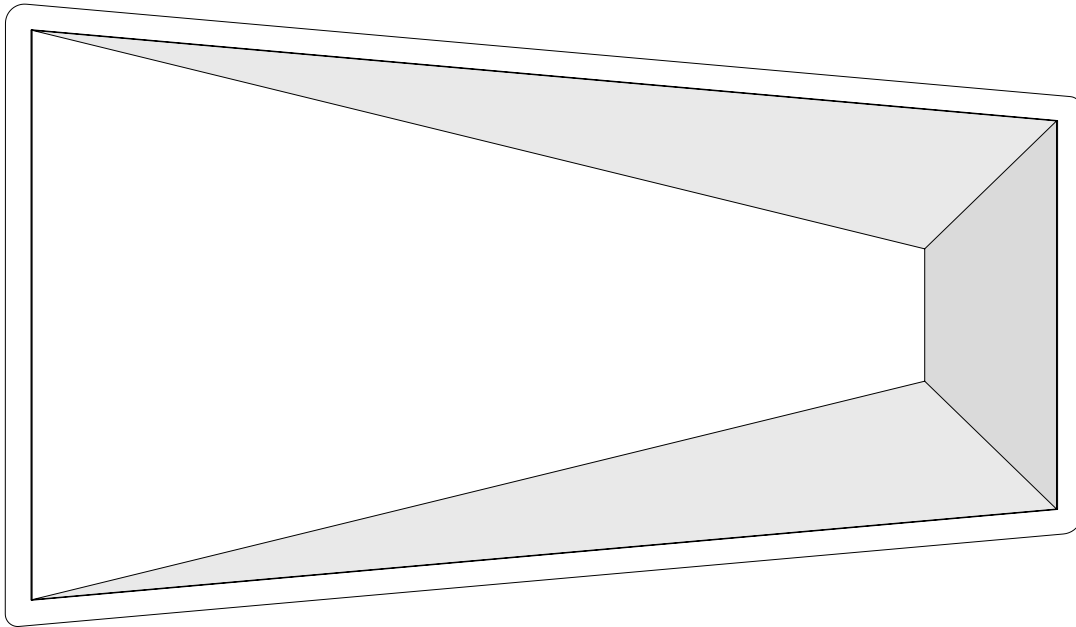


#5830-01 FIRST PLACE STEEL VAULT BOX

INSTALLATION INSTRUCTIONS



IMPORTANT

Before starting installation of this vault box, read all information contained on these pages and carefully inspect the area, including below ground, for obstructions such as electrical and/or gas lines which could cause loss of life if not properly handled.

Installation of this product should be done by an experienced contractor following all applicable codes, laws and regulations. These instructions are meant to be a guide and may need to be adapted to local requirements. M-F Athletic is not responsible for the manner in which this product is installed.

(Part 1) - DETERMINE LOCATION



Everything Track & Field

Diagram-1

TOP VIEW

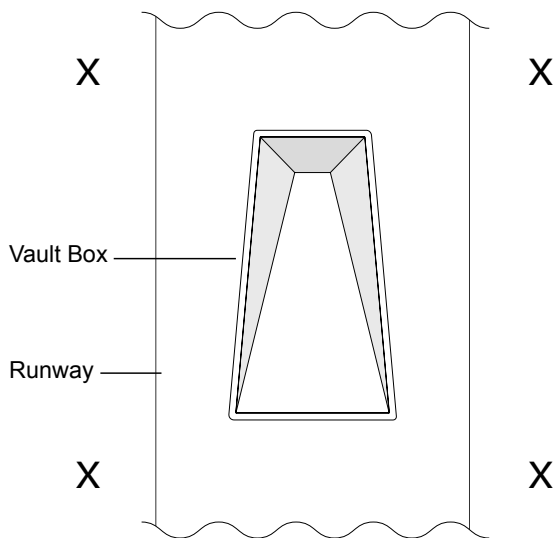


Diagram-2

TOP VIEW

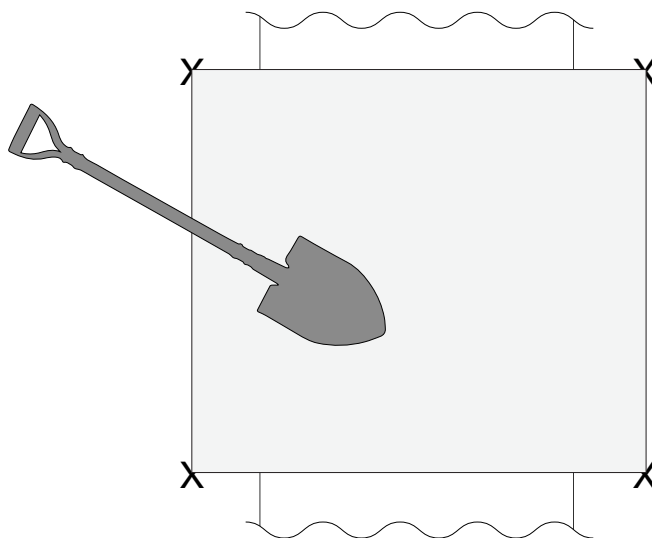


Diagram-3

SIDE VIEW

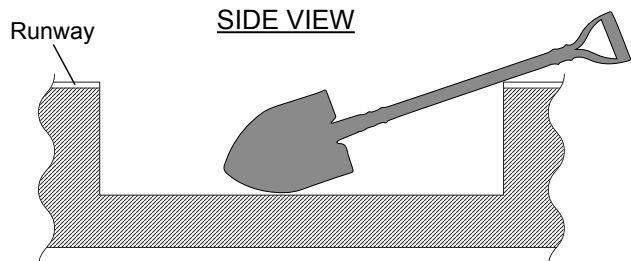
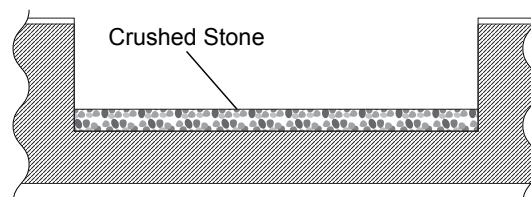


Diagram-4

SIDE VIEW



Step 1: Place the vault box on the runway at its desired location and place markers approximately one foot from each end of the vault box on the side of the runway. (Diagram-1)

Step 2: Remove vault box and dig a hole in the previously marked off area. (Diagram-2)

Step 3: Dig down to desired depth. (Diagram-3) **Note: Refer to local codes for required depth.**

Step 4: Fill with minimum of four inches of crushed stone. (Diagram-4) **Note: Refer to local codes for required depth of stone.**

(Part 2) - INSTALLATION



Everything Track & Field

Diagram-5
SIDE VIEW

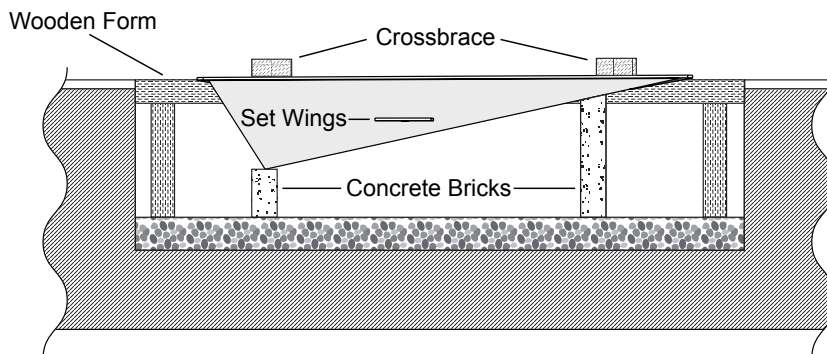
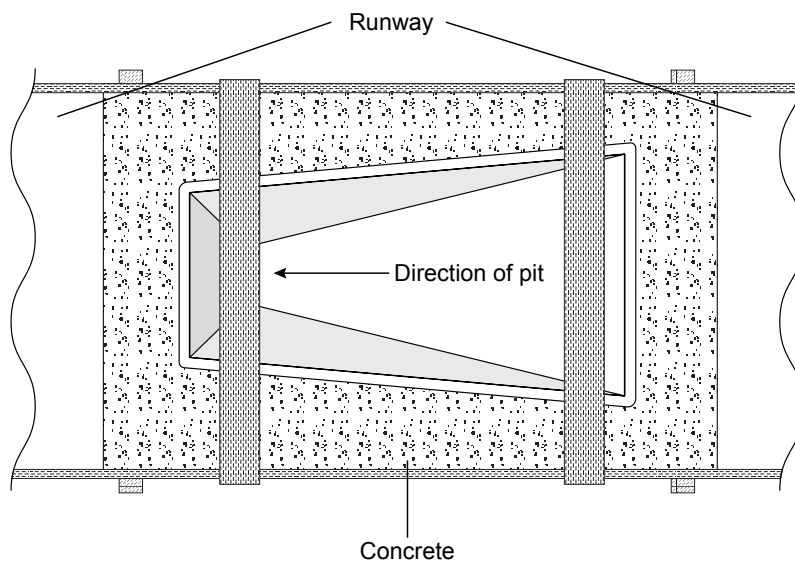


Diagram-6
TOP VIEW



Step 1: Build a wooden form on the outside edge of each side of the runway where the hole is dug.

Step 2: Place concrete bricks under each end of the vault box. Check to make sure the top lip of the vault box is both level with the existing runway and lined up properly in the direction of the pit. (Diagram-5)

Step 3: Build a crossbrace near the front and rear of the vault box. This will help hold the vault box in place and keep the vault box from floating when the concrete is poured.

Step 4: Fill the void with concrete until the concrete is roughly 1/2" to 1" above the set wings on the vault box.

Step 5: Double check that the vault box is still level and in the correct position.

Step 6: Finish pouring concrete to the top of the forms. (Diagram-6) **Note: If finishing the runway with synthetic surface, finish pouring concrete below the thickness of what the synthetic surface will be.**

Step 7: Once cured, remove the wooden forms.