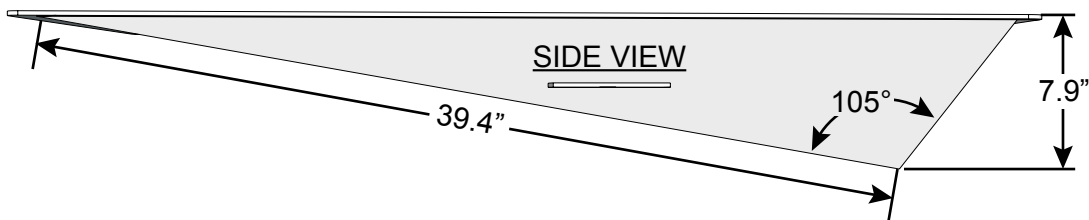
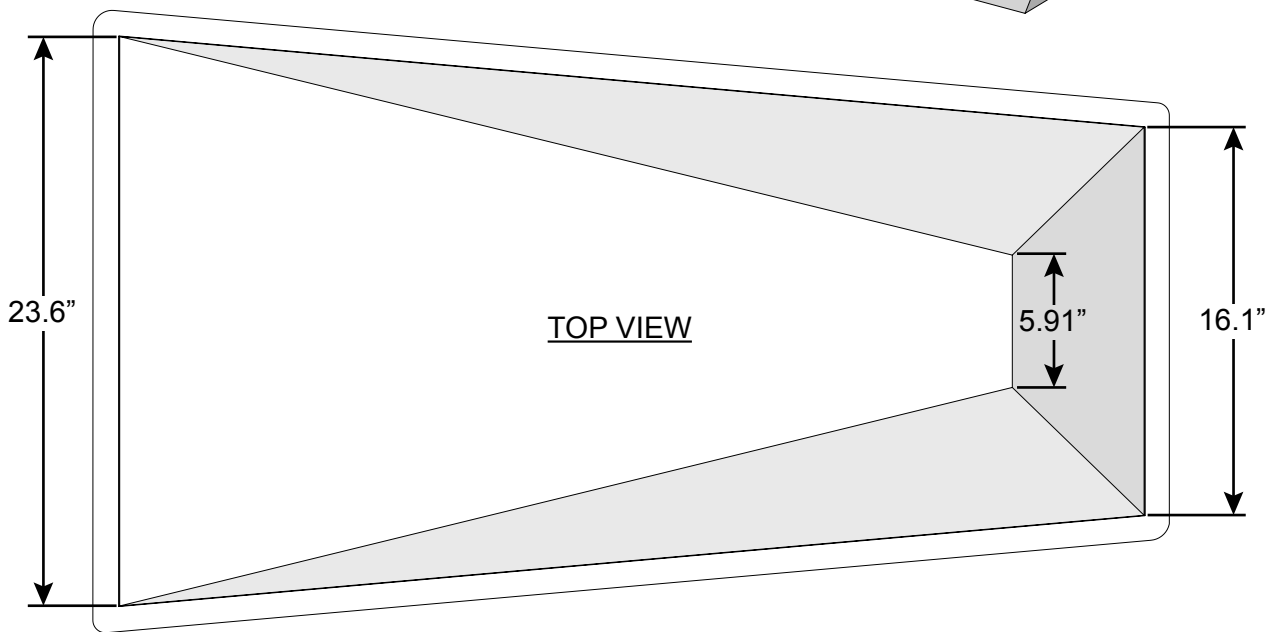
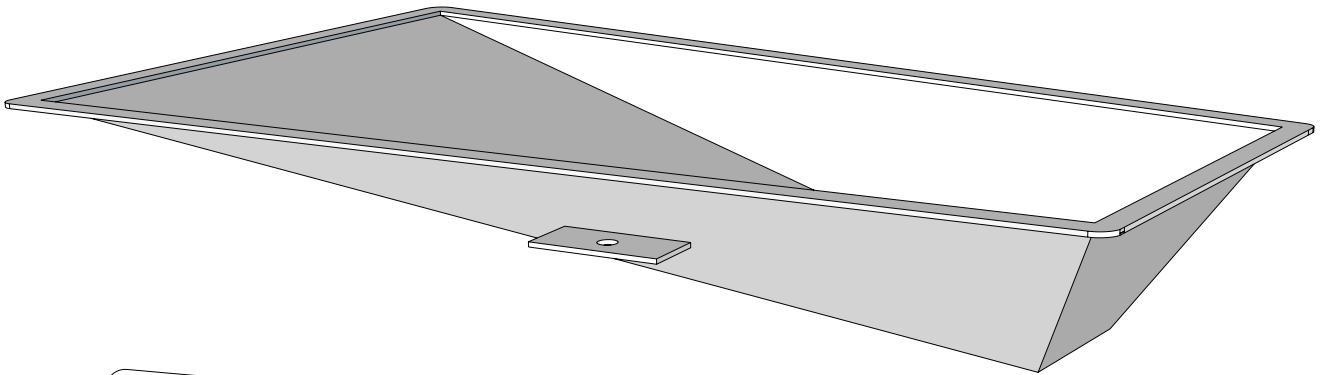


#5833-01

FIRST PLACE CAST ALUMINUM VAULT BOX

- MADE OF ½" THICK CAST ALUMINUM
- HAS TWO SET WINGS TO SECURE BOX IN CONCRETE



MF
ATHLETIC

Everything Track & Field