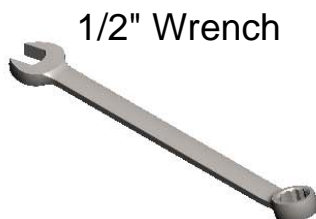


ASSEMBLY, MAINTENANCE, & USAGE MANUAL

PORTABLE No. **587200** - 8'-0" x 24'-0" SOCCER GOAL PAIR
w/ wheels, anchors, backstays, and nets

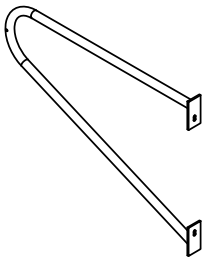


TOOLS REQUIRED

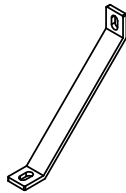


STEP 1: Unpack all parts and check against parts list below.
Each 587200 (pair of goals) should include the following:

EURO BACKSTAYS - QTY 4
(PART # 292300)



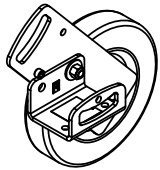
POST BRACE - QTY 4
(PART # FLAT58702)



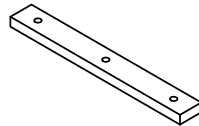
HARDWARE

PART	QTY	PART #	DESCRIPTION
	4	M2249	5/16" EYEBOLT
	4	M1254	5/16" NYLOCK NUT
	4	HDWE030150E0	5/16" CAP NUT
	32	HDWE050040E0	3/8" FLAT WASHER
	32	HDWE040020E0	3/8" LOCK WASHER
	32	HDWE011240E0	3/8" HEX HD SCREW
	32	HDWE090370E0	3/8"-16 SET SCREW
	12	FLAT58703	3/8"-16 SQUARE NUT
	1	FITG84160	NET CLIP PACK QTY 160

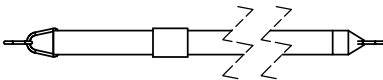
FLIP WHEELS
QTY 4 LEFT & 4 RIGHT WHEELS
(PART # 294000)



CONNECTOR FLAT - QTY 12
(PART # FLAT48721E0)



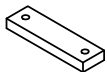
NET SUPPORT STRAP - QTY 2
(PART # STAP00028)



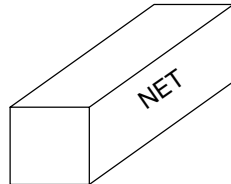
ANCHOR KIT W/ HDWE - QTY 4
(PART # 298400)



WHEEL FLAT - QTY 8
(PART # FLAT58701)



SOCCER NET - QTY 2
(PART # 00491824)



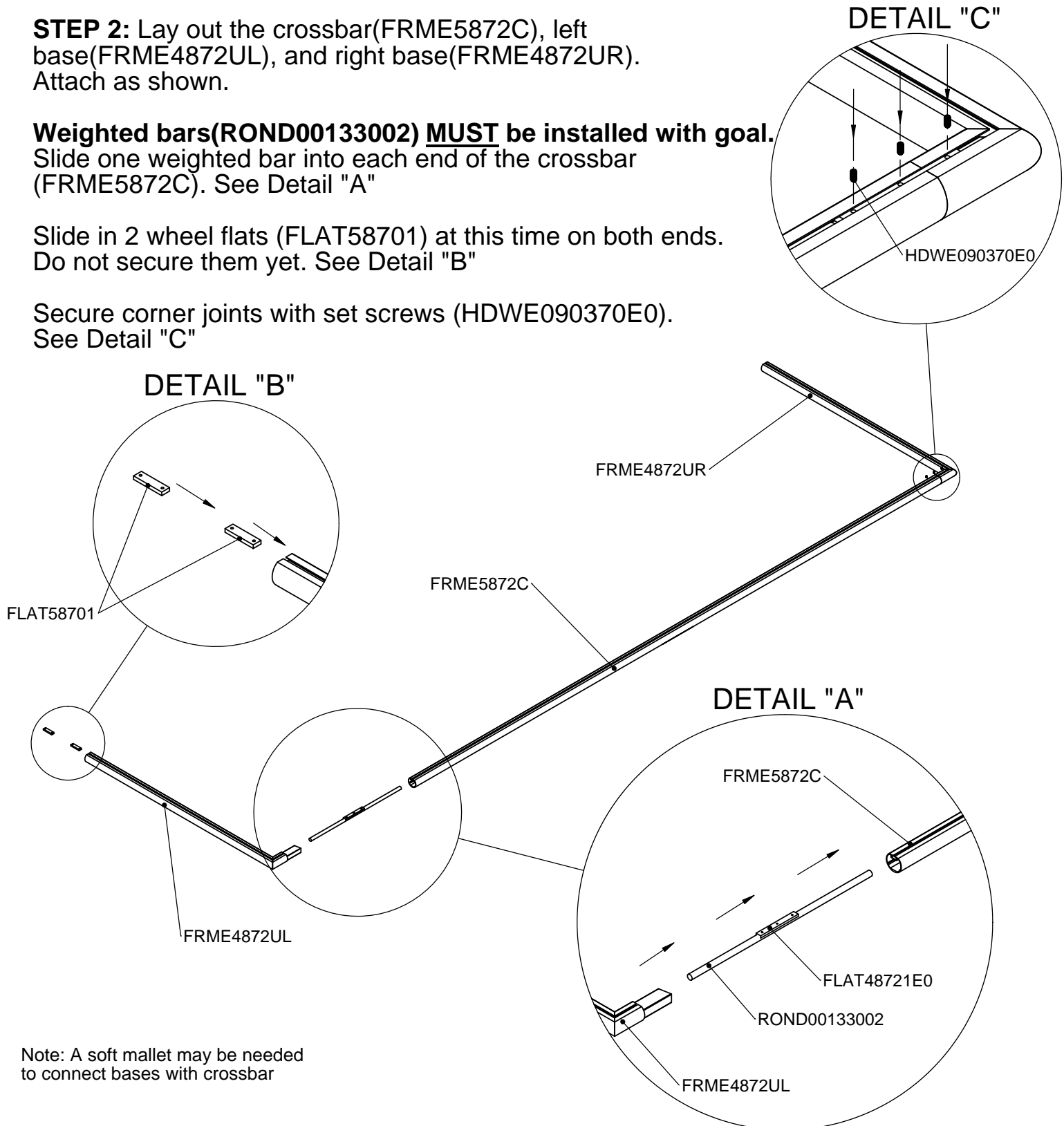
www.upper90goals.com
888-277-7778

STEP 2: Lay out the crossbar(FRME5872C), left base(FRME4872UL), and right base(FRME4872UR). Attach as shown.

Weighted bars(ROND00133002) MUST be installed with goal. Slide one weighted bar into each end of the crossbar (FRME5872C). See Detail "A"

Slide in 2 wheel flats (FLAT58701) at this time on both ends. Do not secure them yet. See Detail "B"

Secure corner joints with set screws (HDWE090370E0). See Detail "C"



Note: A soft mallet may be needed to connect bases with crossbar

www.upper90goals.com
888-277-7778

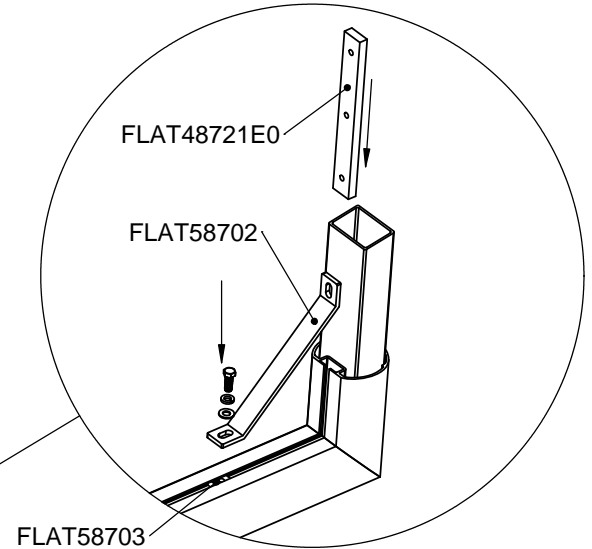
STEP 3: Lay out the crossbar and upright posts similar to Step 2. Attach as shown.

Slide 3 square nuts (FLAT58703) into each upright. Do not attach nuts yet. Once the nuts are in, secure corner joints with set screws. See Detail "D"

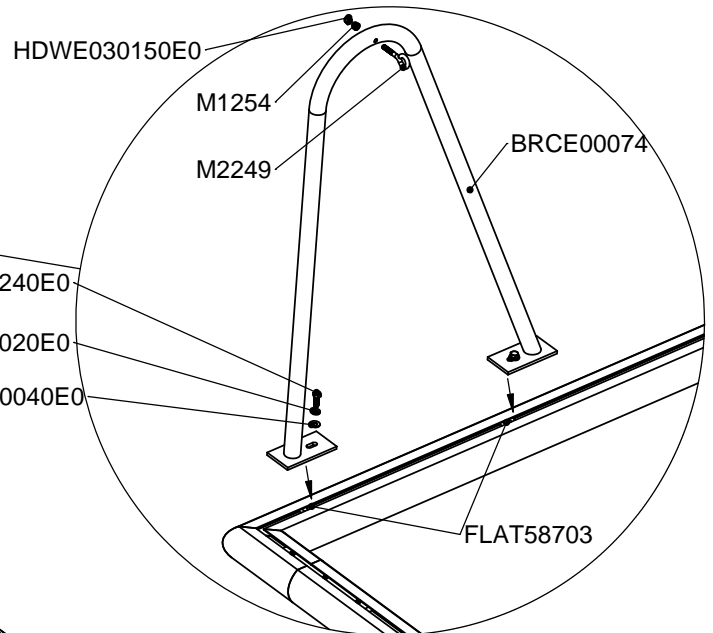
While still on the ground, attach the European backstays (BRCE00074) into the first 2 square nuts. Attach eyebolt (M2249) into backstays. See Detail "E"

Attach post brace (FLAT58702) into the last square nut at the bottom of upright, Then insert FLAT48721E0. Do not attach flat at this time. See Detail "F"

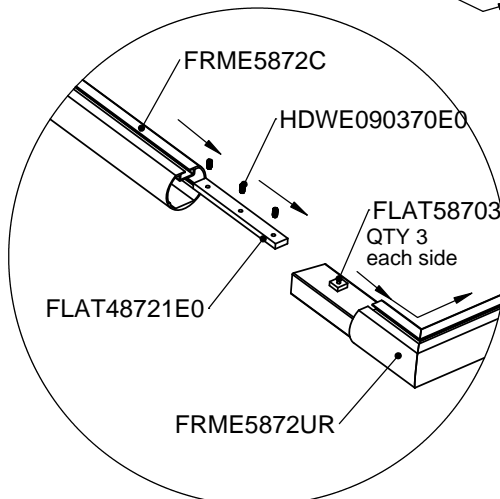
DETAIL "F"



DETAIL "E"



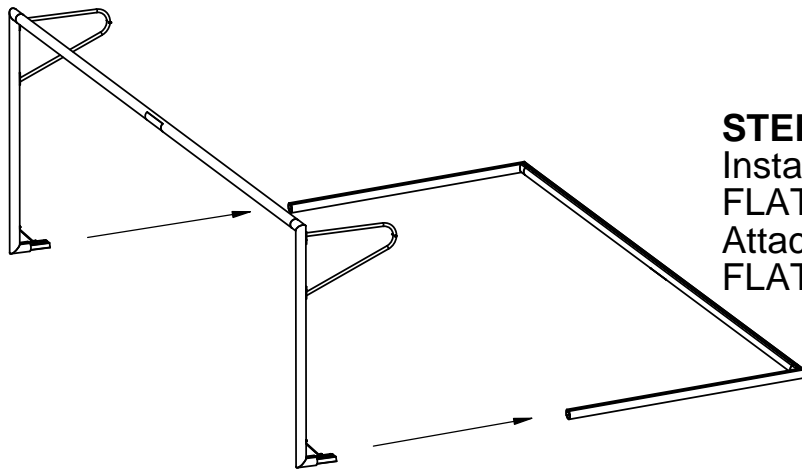
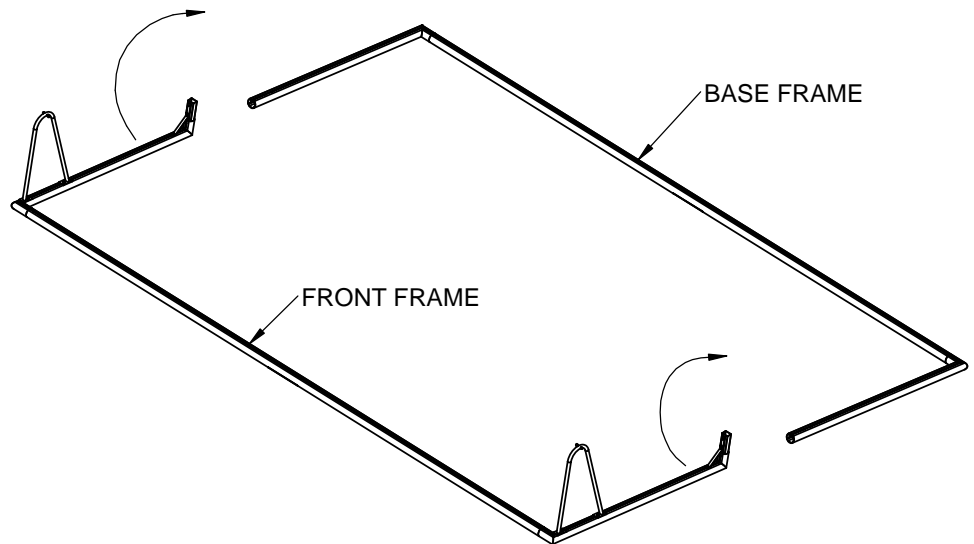
DETAIL "D"



Note direction of decals before fastening. This section will flip up.

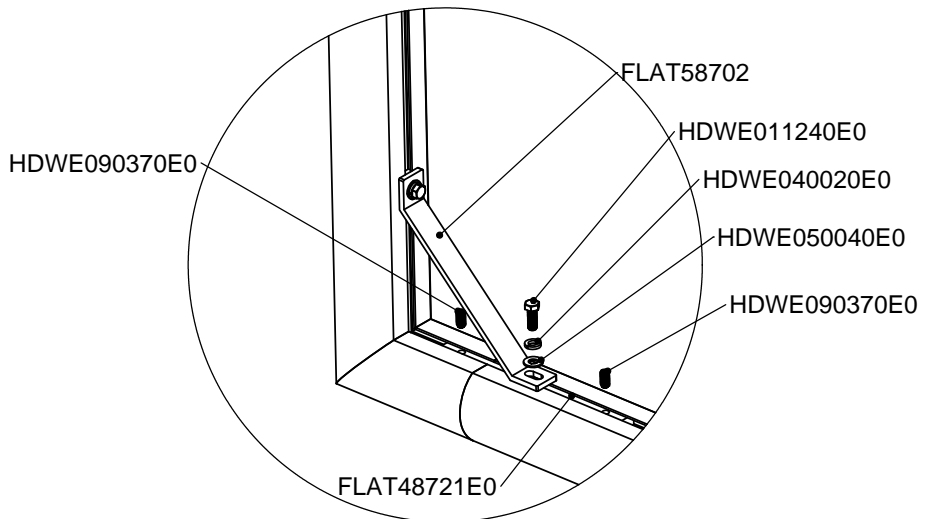
Note: A soft mallet may be needed to connect posts with crossbar

STEP 4: Lift front frame up.
Note: This step requires 2 adults.



STEP 5: Insert front frame into base frame. Install hardware as shown in Detail "G". FLAT58702 can be adjusted as needed. Attach hardware through holes in FLAT48721E0

DETAIL "G"

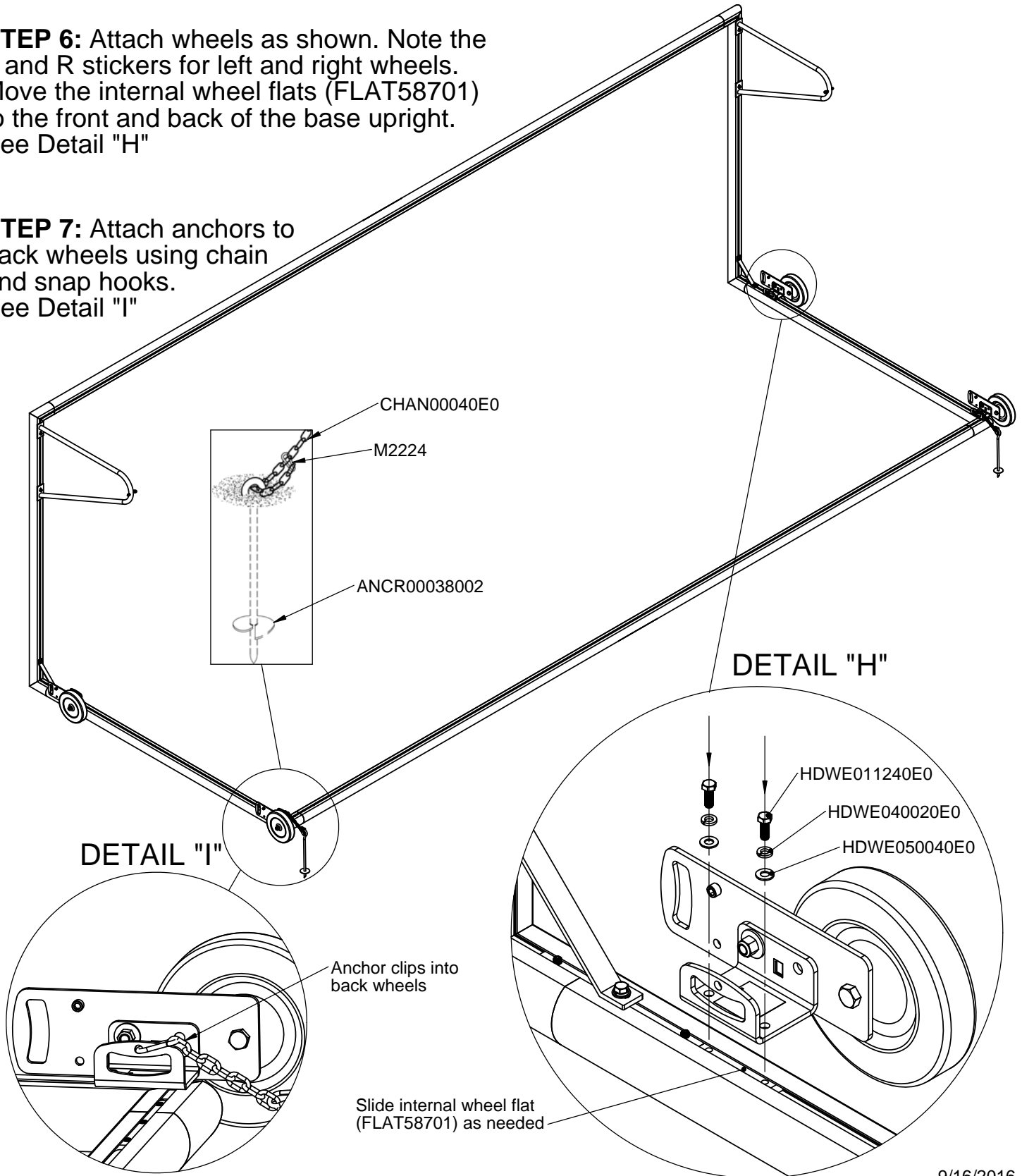


Note: A soft mallet may be needed to connect posts with crossbar

www.upper90goals.com
888-277-7778

STEP 6: Attach wheels as shown. Note the L and R stickers for left and right wheels. Move the internal wheel flats (FLAT58701) to the front and back of the base upright. See Detail "H"

STEP 7: Attach anchors to back wheels using chain and snap hooks. See Detail "I"



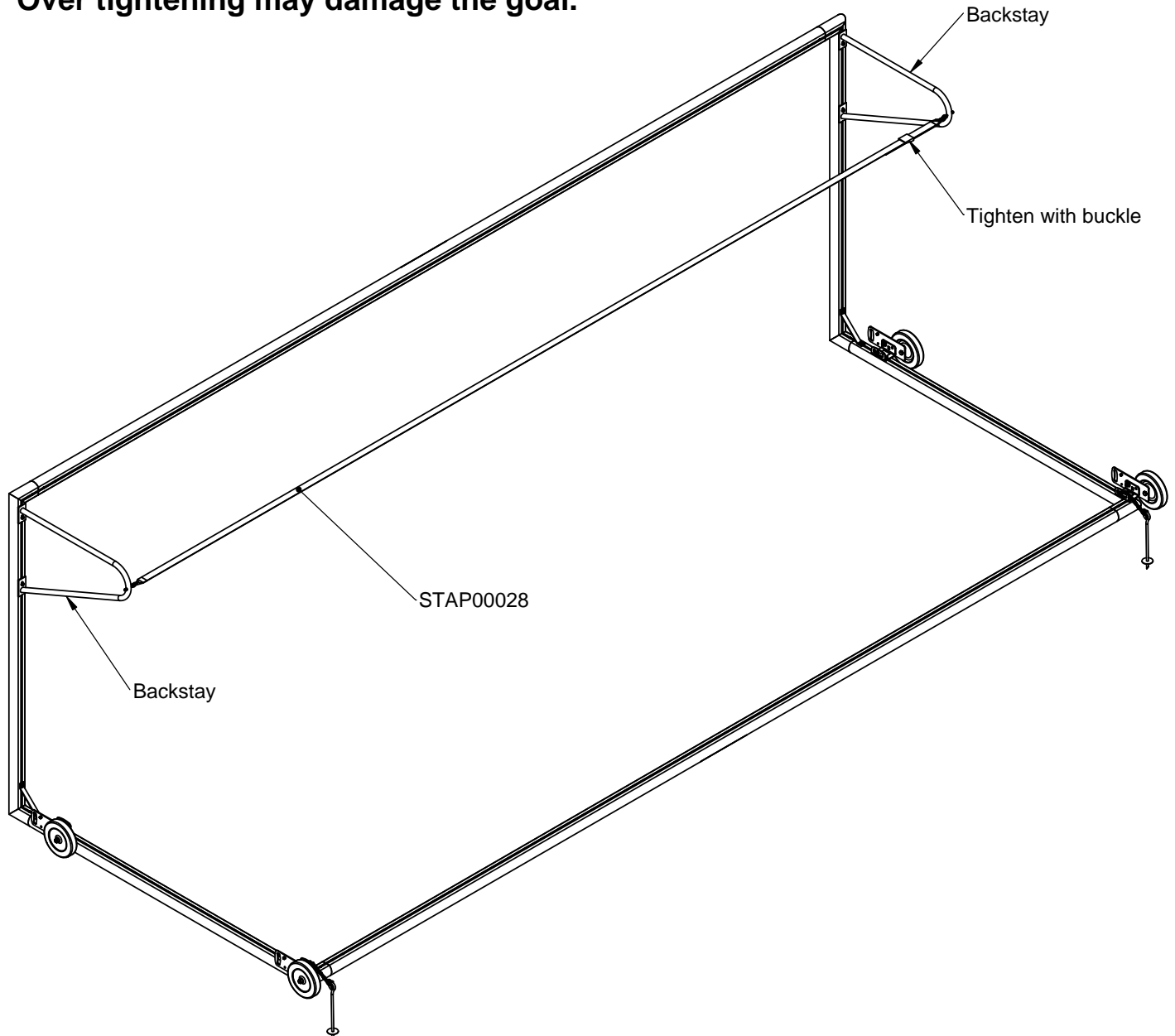
Wheel Operation: To engage wheel, grip handle cutouts with both hands.
Lift and rotate wheel until it rests on the stop bolt.
Activate all 4 wheels before attempting to move soccer goal.

**WARNING: Watch hands and feet when using wheels
and moving the goal!**



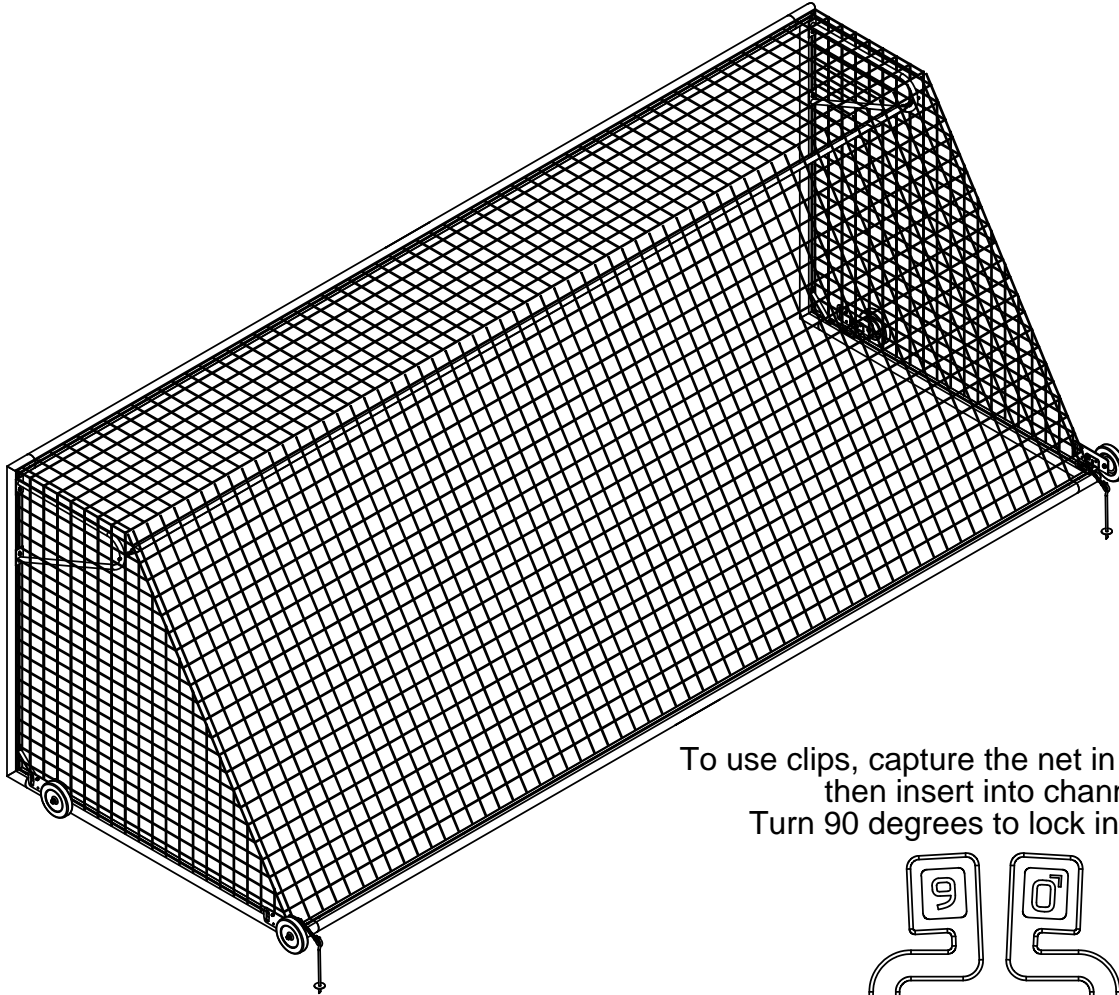
STEP 8: Attach the net support strap (STAP00028) to the European backstays. Clip snap hooks sewn into the strap onto the eyebolts (M2249) of the backstays. Tighten the strap with the buckle.

NOTE: Do not over tighten net strap.
Over tightening may damage the goal.

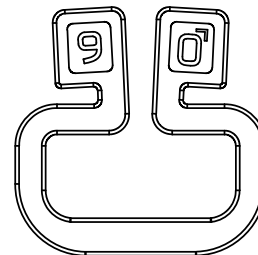


STEP 9: Attach the net using the provided net clips (FITG84160).
Each goal needs roughly 80 clips.

NOTE: Do not climb on the goal while attaching net.



To use clips, capture the net in the opening,
then insert into channel.
Turn 90 degrees to lock into place.



STEP 10: Check and tighten all hardware connections.
Confirm wheels rotate and engage.
Tighten net strap as needed.

Assembly of 587200 soccer goal is now complete.

WARNING

READ ALL WARNINGS THOROUGHLY BEFORE USING THIS EQUIPMENT. FAILURE TO COMPLY WITH THE FOLLOWING INSTRUCTIONS AND WARNINGS MAY RESULT IN SERIOUS INJURIES AND/OR PROPERTY DAMAGE.

- **Always anchor goals, at the rear of the goal, per the manufacturer's instructions. Unsecured goals can fall over causing serious injury or death.**
- **Never allow children to move soccer goals. Goals must be moved by authorized and trained adults only.**
- Net tie-down stakes must never be used to anchor a soccer goal.
- Always use extreme caution when moving goals, and allow adequate manpower to move goals of varied sizes and weights.
- When not in use, chain and padlock goals to each other face-to-face, or to fence posts or other sturdy structures, to prevent tipping.
- Use movable soccer goals only on level (flat) playing surfaces.
- Never climb or hang on the net or goal framework.
- Always instruct players of safe behavior, and potential dangers associated with and around movable soccer goals.
- Remove nets when goals are not in use.
- Do not use this equipment during the threat of high winds.
- Check all components and connecting hardware for structural integrity before and after each use.
- Replace damaged or missing parts and fasteners immediately.
- Ensure that safety/warning labels are clearly visible on goals at all times.
- If goals are repainted, contact Upper 90 for replacement labels.
- Fully disassemble goals for seasonal storage.

THE OWNER OF THIS EQUIPMENT IS RESPONSIBLE TO ENSURE THAT ALL INDIVIDUALS FOLLOW THE SAFETY AND OPERATING INSTRUCTIONS TO AVOID INJURIES OR PROPERTY DAMAGE. PROPER USE AND SUPERVISION OF THIS EQUIPMENT IS ESSENTIAL TO HELP REDUCE THE POSSIBILITY OF ACCIDENTS OR INJURIES.

WARNING

READ ALL INSTRUCTIONS THOROUGHLY BEFORE ATTEMPTING TO ASSEMBLE THIS EQUIPMENT. ASSEMBLY OF THIS EQUIPMENT MUST BE DONE BY PHYSICALLY CAPABLE ADULTS ONLY.

Upon completion of the assembly/installation of these soccer goals, make sure this instruction manual is in the possession of the owner or facility manager, to save for future reference, and to order replacement parts.

THIS WARNING IS GIVEN IN COMPLIANCE WITH CALIFORNIA'S PROPOSITION 65:

WARNING

This product contains chemicals known to the State of California to cause cancer, birth defects or other reproductive harm.