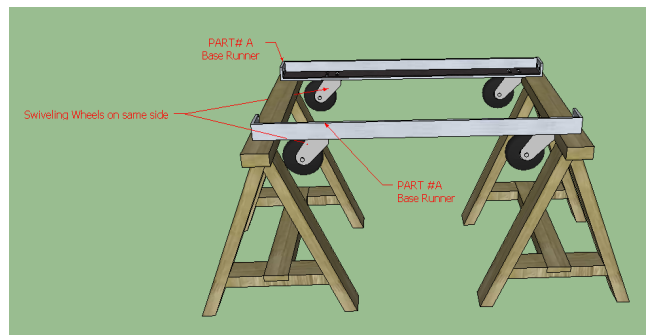


First Place Universal Starting Block Cart #6636-01

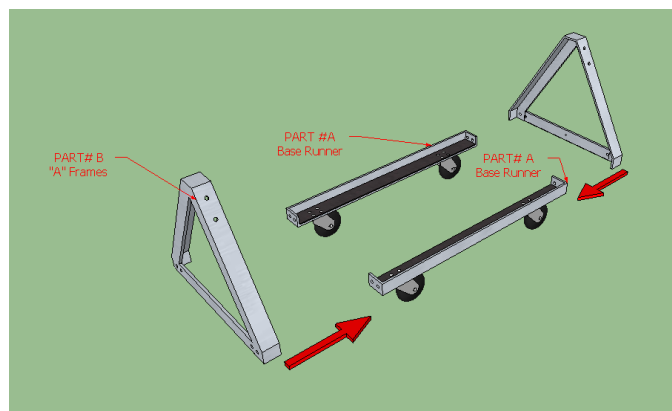
Assembly Instructions



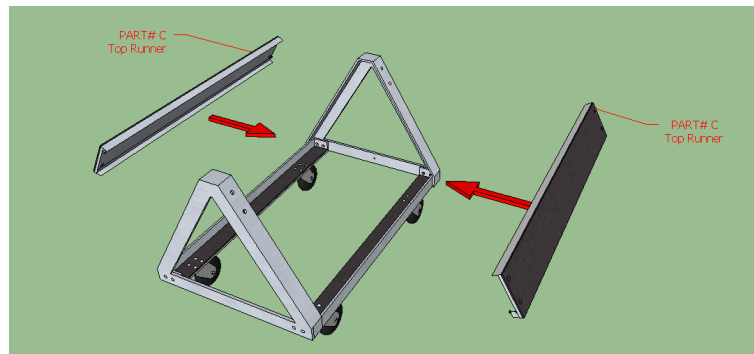
1. Rest the 2 bottom runners (A) on a supports parallel to each other and attach the wheels. Make sure to put the 2 wheels that swivel on the same end. Use a bolt, a nut and 2 washers for each hole.



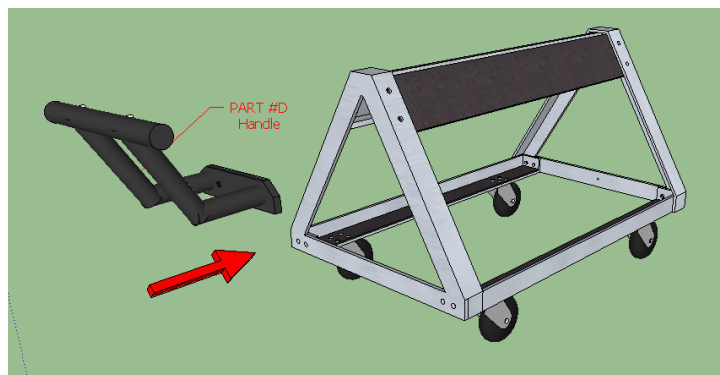
2. Attach the "A" frames (B) to the bottom runners (A). Use 1 nut and bolt and 2 washers for each hole.



3. Attach upper runners (C) to the upper mounting holes on the "A" frames (B). Use 1 nut and bolt and 2 washers per hole



4. Attach handle (D) to the 2 mounting holes on the face of the "A" frame (B). Make sure to mount the handle to the end where the wheels that swivel are located.



5. You are finished! Enjoy your Block Cart. Remember the swivel wheels are also lockable by simply moving the long lever on the wheels down.

