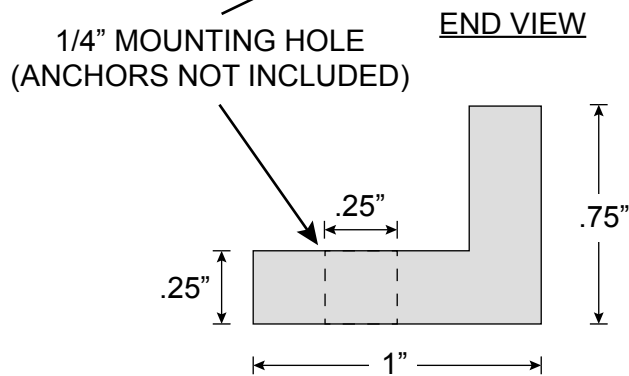
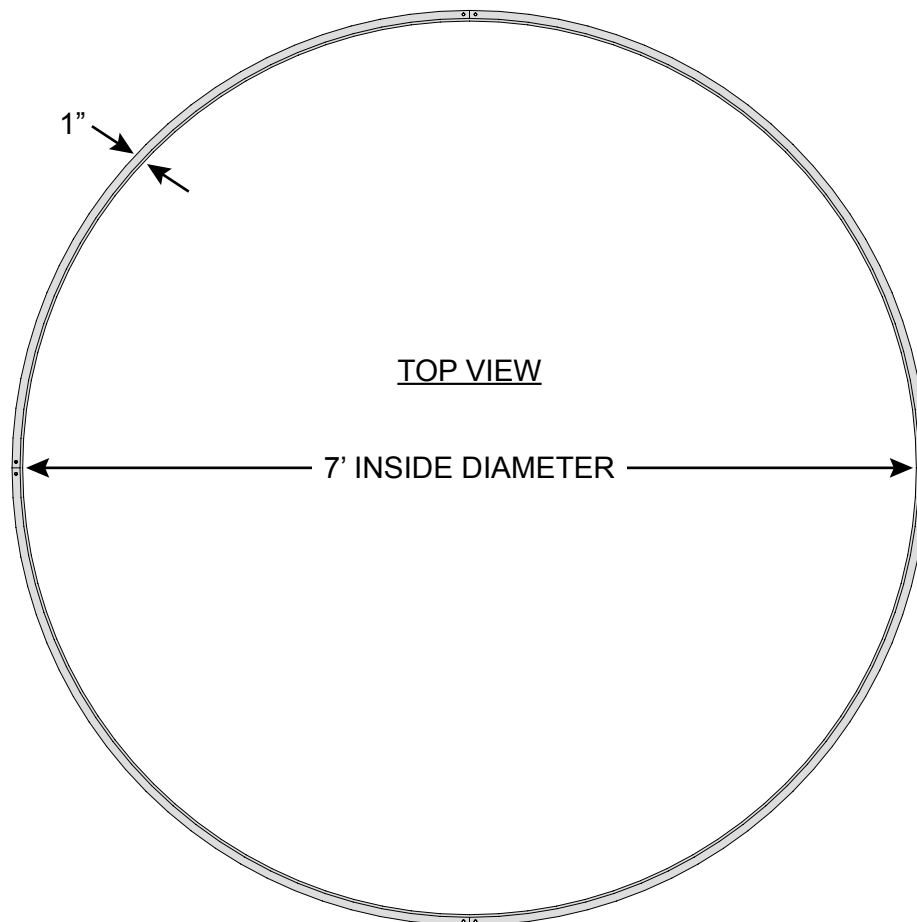


# #7218-02

## FIRST PLACE ALUMINUM SHOT & HAMMER CIRCLE

- MADE OF 1/4" x 1" x 3/4" ALUMINUM ANGLE
- CIRCLE CONSISTS OF 4 SECTIONS



*EverythingTrack&Field*