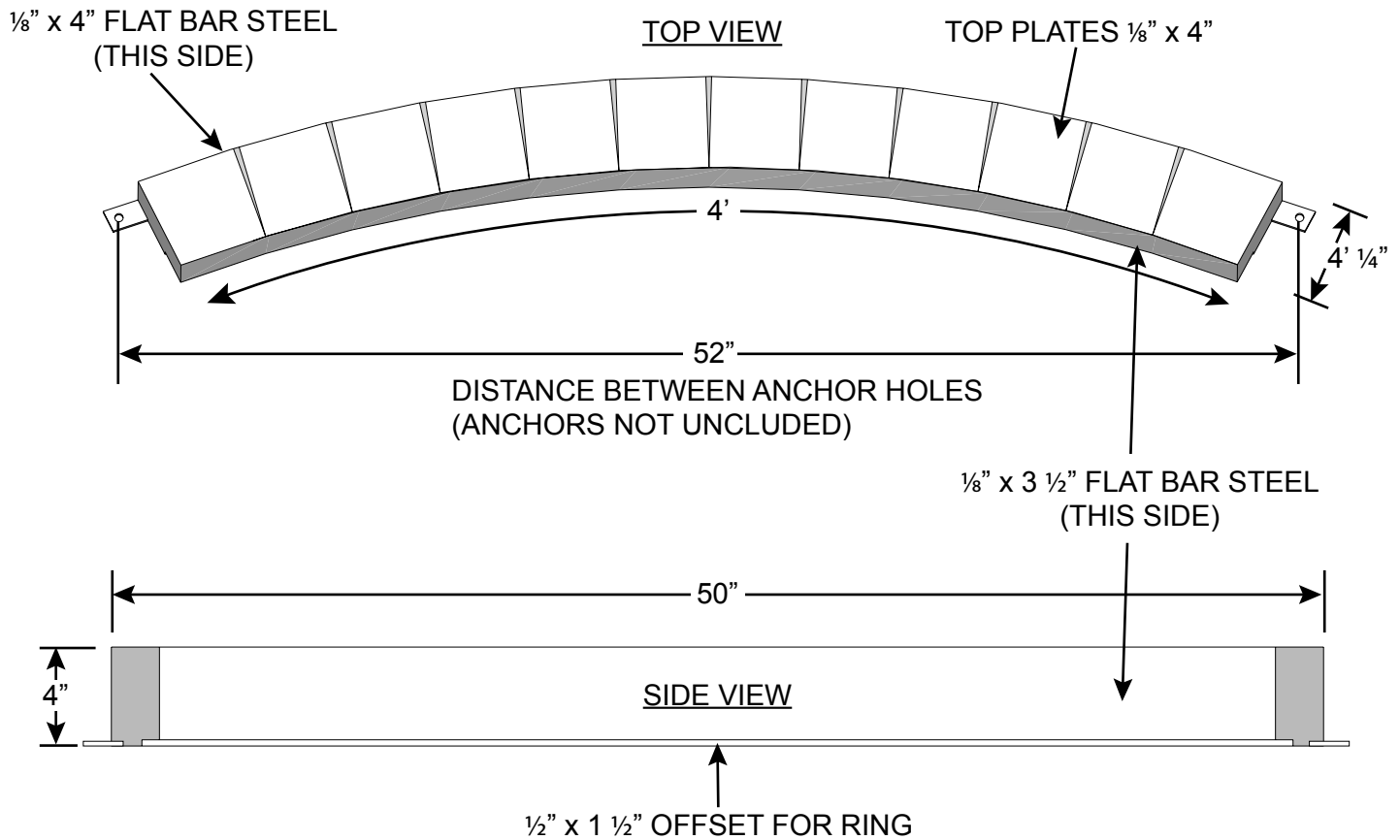
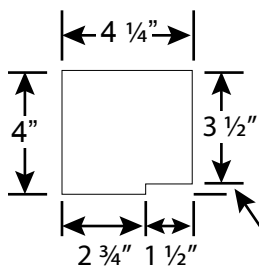


#7219-01 FIRST PLACE STEEL SHOT PUT TOE BOARD

- FOR LEVEL CIRCLE
- MADE OF $\frac{1}{8}$ " THICK FLAT BAR

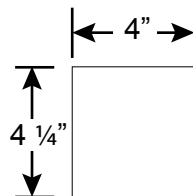


END VIEW

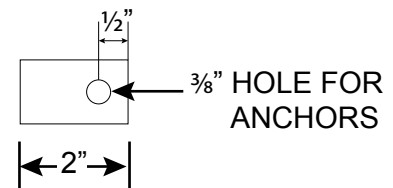


$\frac{1}{2}$ " OFFSET FOR RING

TOP PLATES



ANCHOR PLATE



MF
ATHLETIC

Everything Track & Field