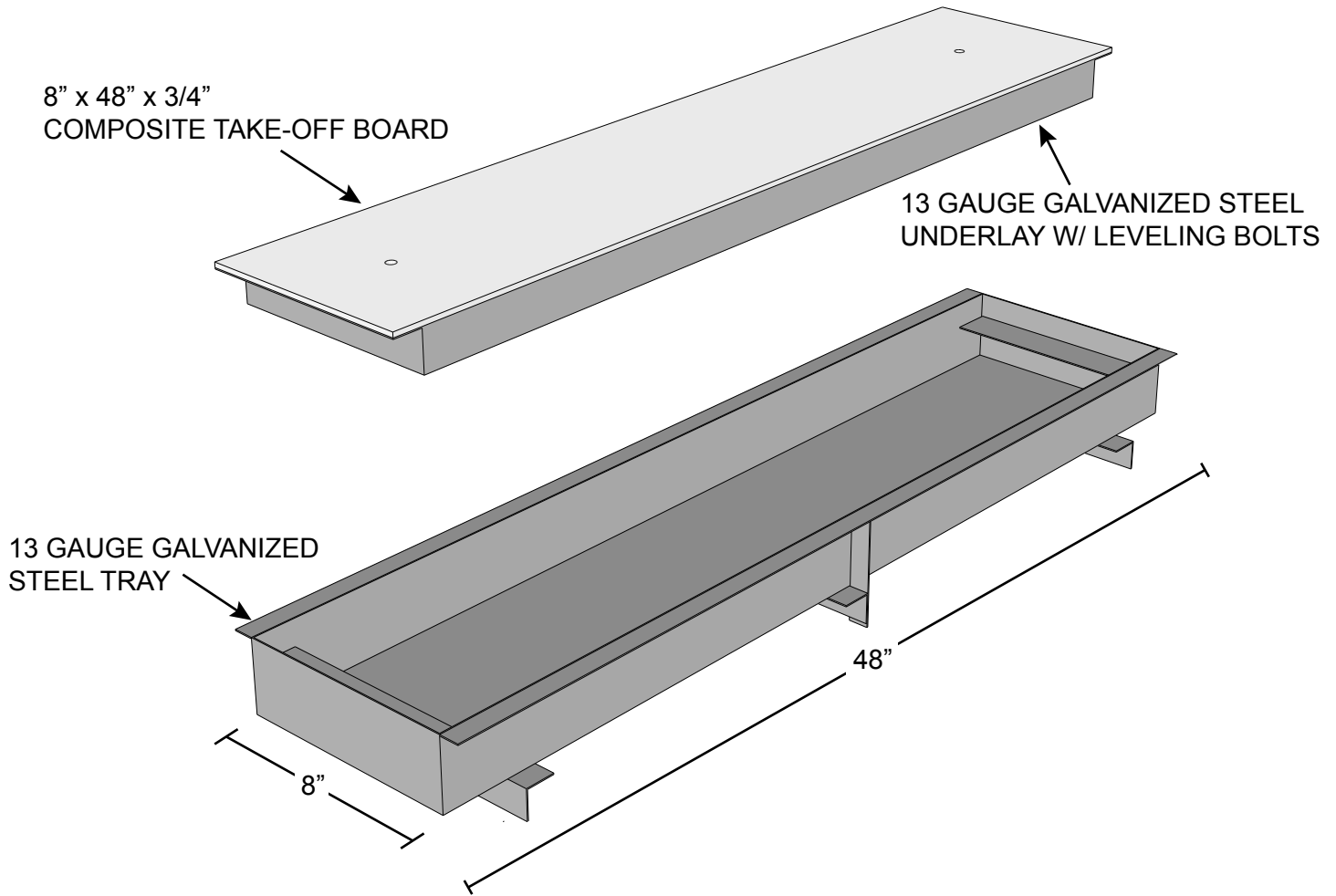
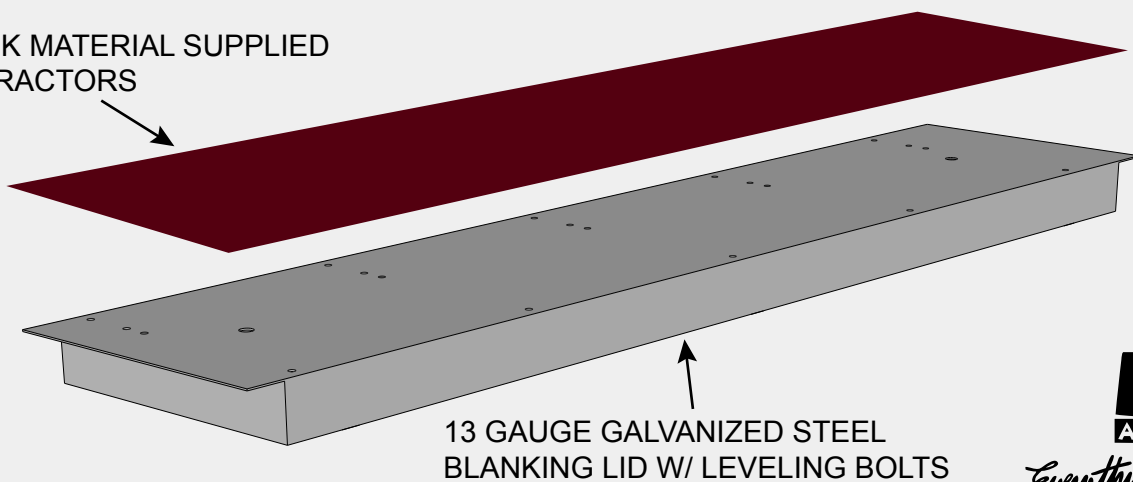


#7238-01 FIRST PLACE COLLEGE/HIGH SCHOOL TAKE-OFF SYSTEM



OPTIONAL

1/2" TRACK MATERIAL SUPPLIED
BY CONTRACTORS



MF
ATHLETIC

EverythingTrack&Field