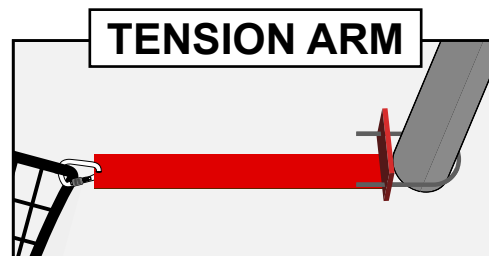
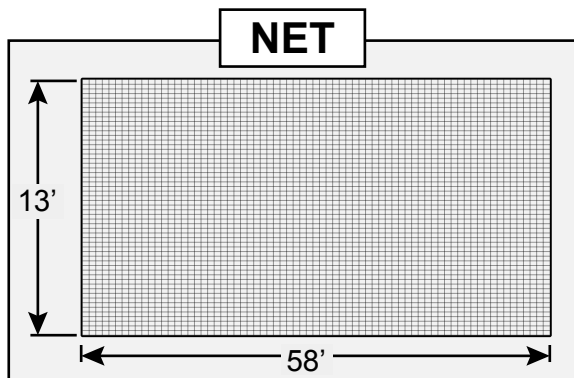
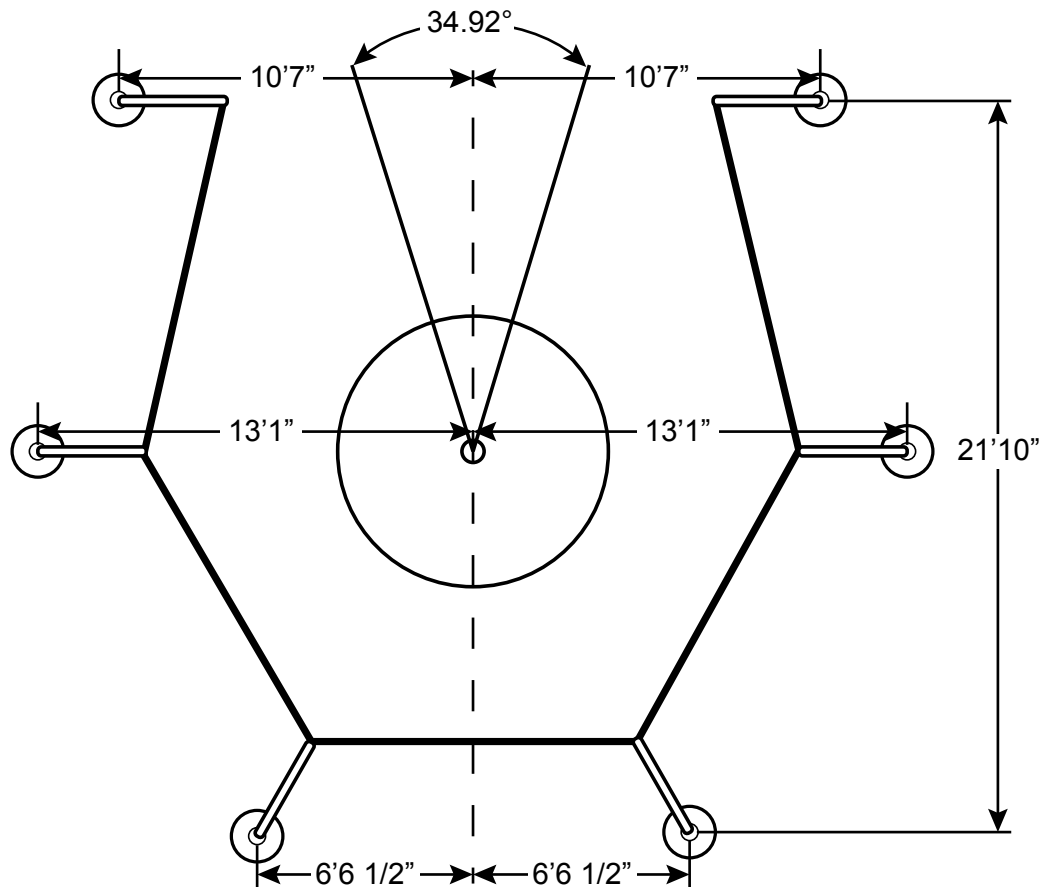


#7257-01

FIRST PLACE ALUMINUM HIGH SCHOOL DISCUS CAGE

- SIX 2.875" OD ROLLED ALUMINUM POSTS WITH GROUND SLEEVES & CAPS
- HEAVY-DUTY WEATHER TREATED NET WITH QUICK RELEASE CLIPS
- SIX TENSION ARMS
- 13' HIGH CAGE



MF
ATHLETIC

Everything Track & Field