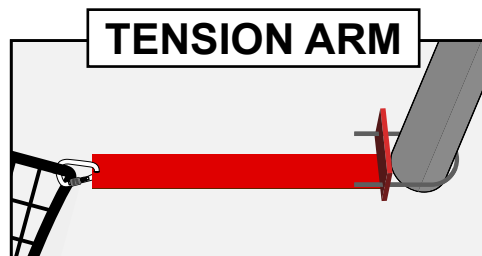
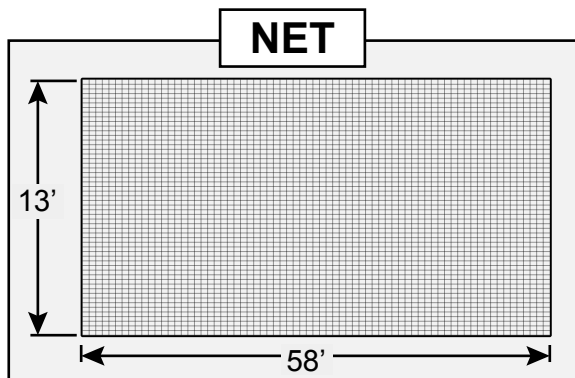
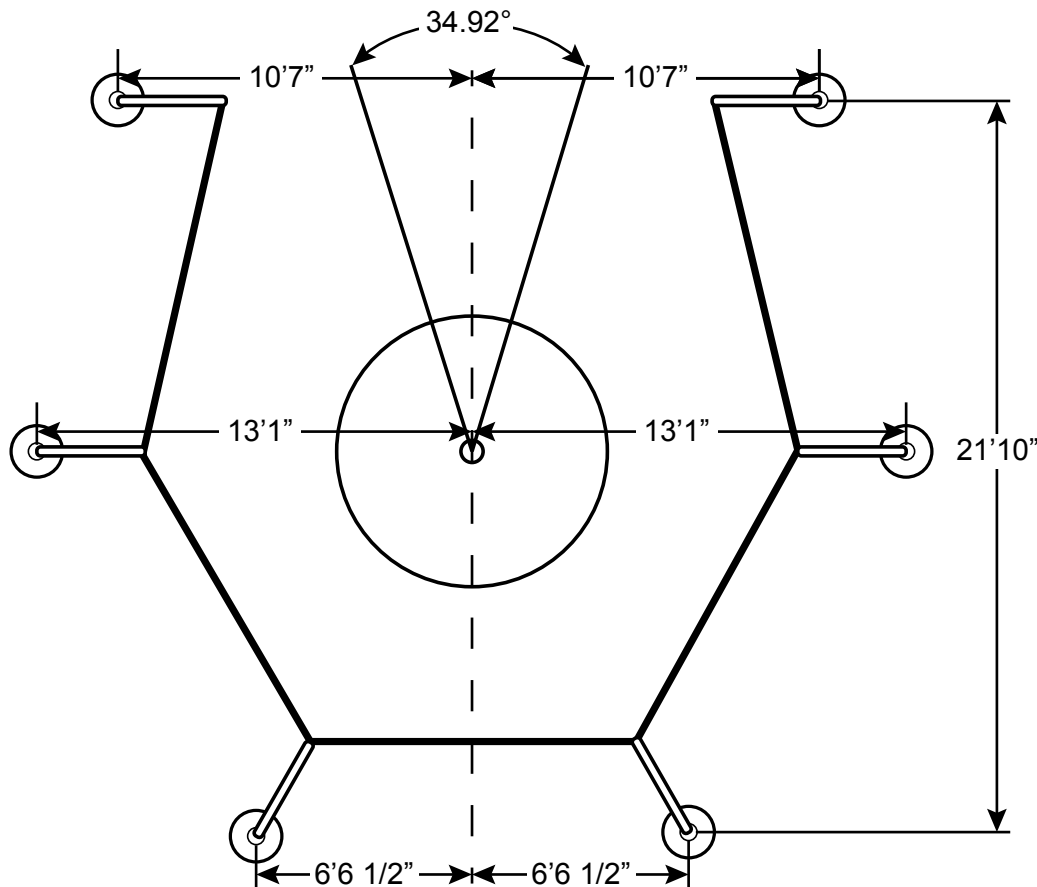


# #7259-01 FIRST PLACE STEEL HIGH SCHOOL DISCUS CAGE

- SIX 2.375" OD 11 GAUGE GALVANIZED STEEL POSTS WITH GROUND SLEEVES & CAPS
- HEAVY-DUTY WEATHER TREATED NET WITH QUICK RELEASE CLIPS
- SIX TENSION ARMS
- 13' HIGH CAGE



**MF**  
ATHLETIC

*EverythingTrack&Field*