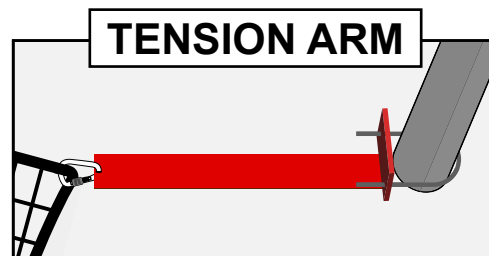
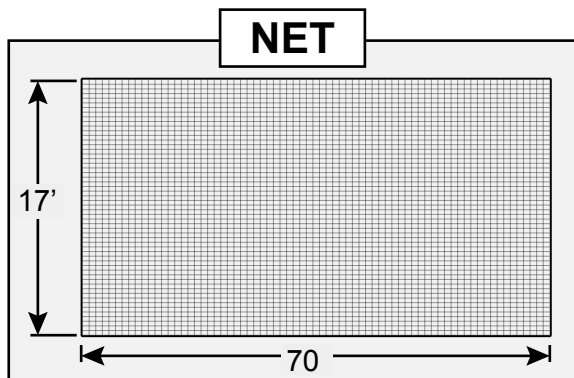
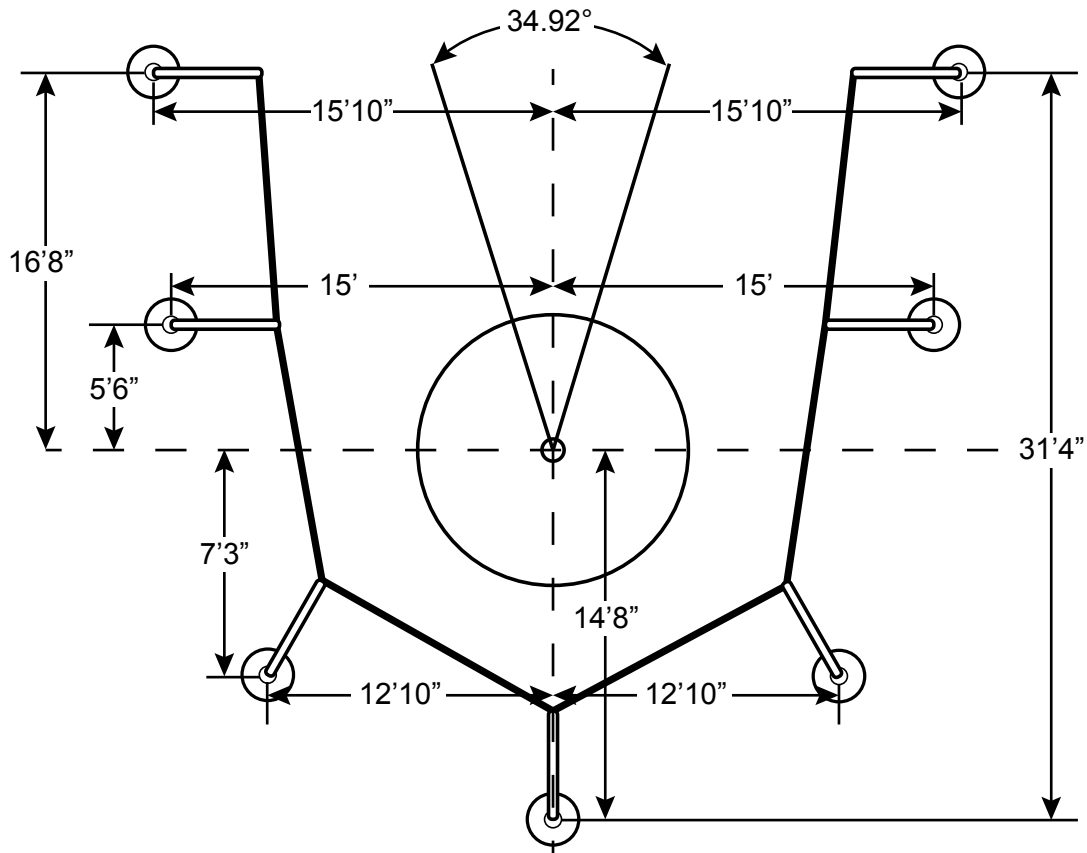


#7266-01 FIRST PLACE COLLEGIATE DISCUS CAGE

- SEVEN 4" OD ROLLED ALUMINUM POSTS WITH GROUND SLEEVES & CAPS
- HEAVY-DUTY WEATHER TREATED NET WITH QUICK RELEASE CLIPS
- SEVEN TENSION ARMS
- 16'7" HIGH CAGE



MF
ATHLETIC

Everything Track & Field