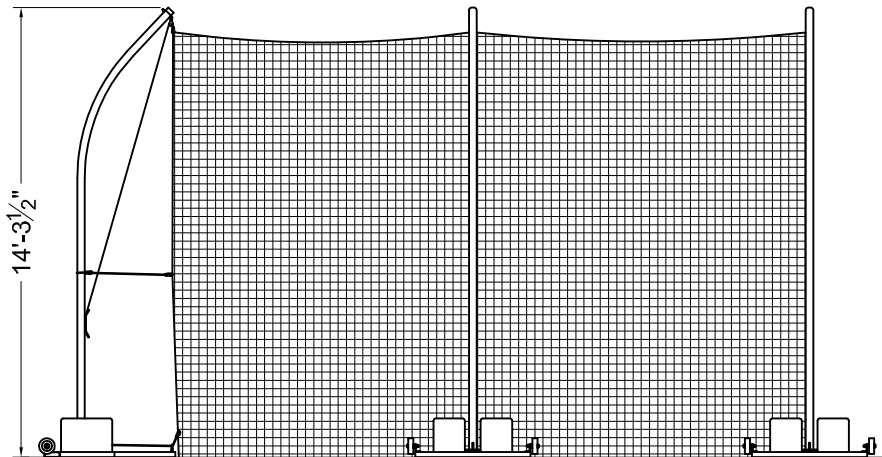
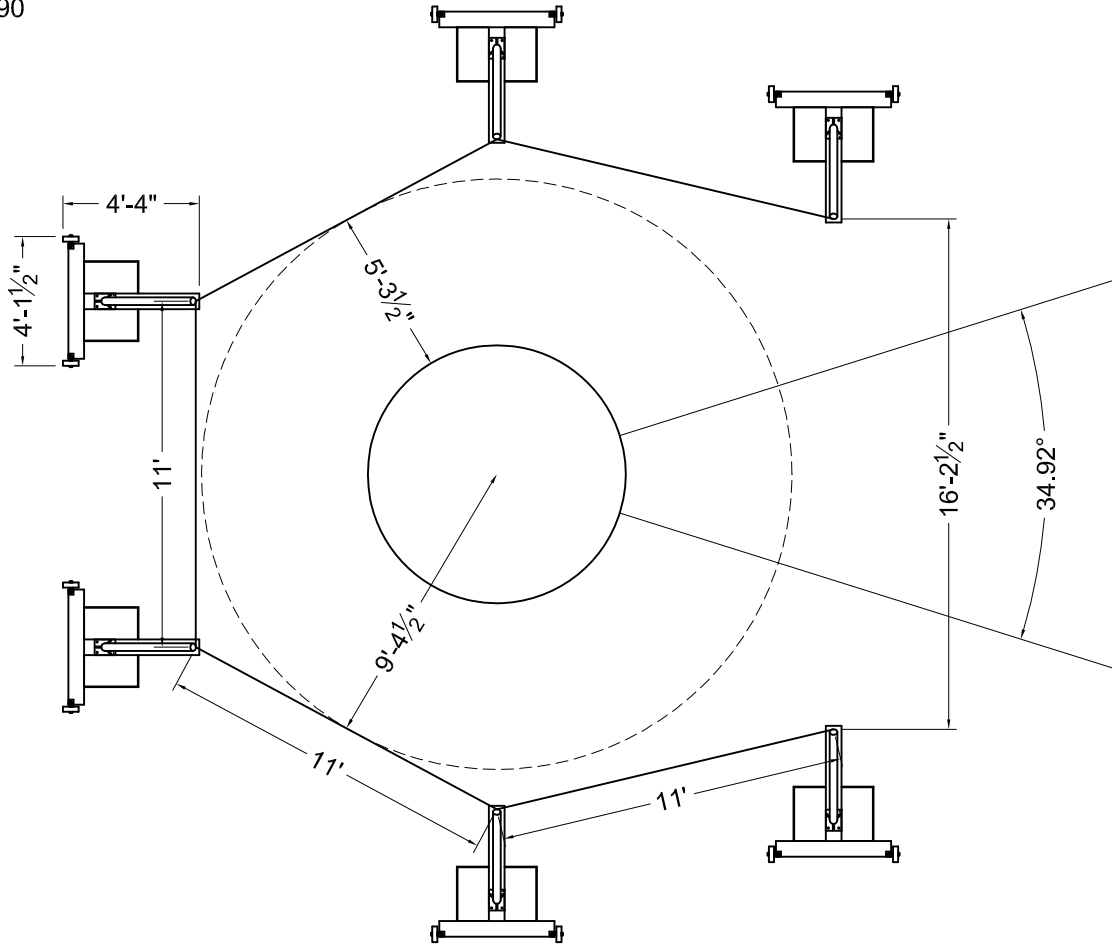




www.gillathletics.com
800-637-3090

732220 - HIGH SCHOOL PORTABLE DISCUS CAGE SPECIFICATIONS



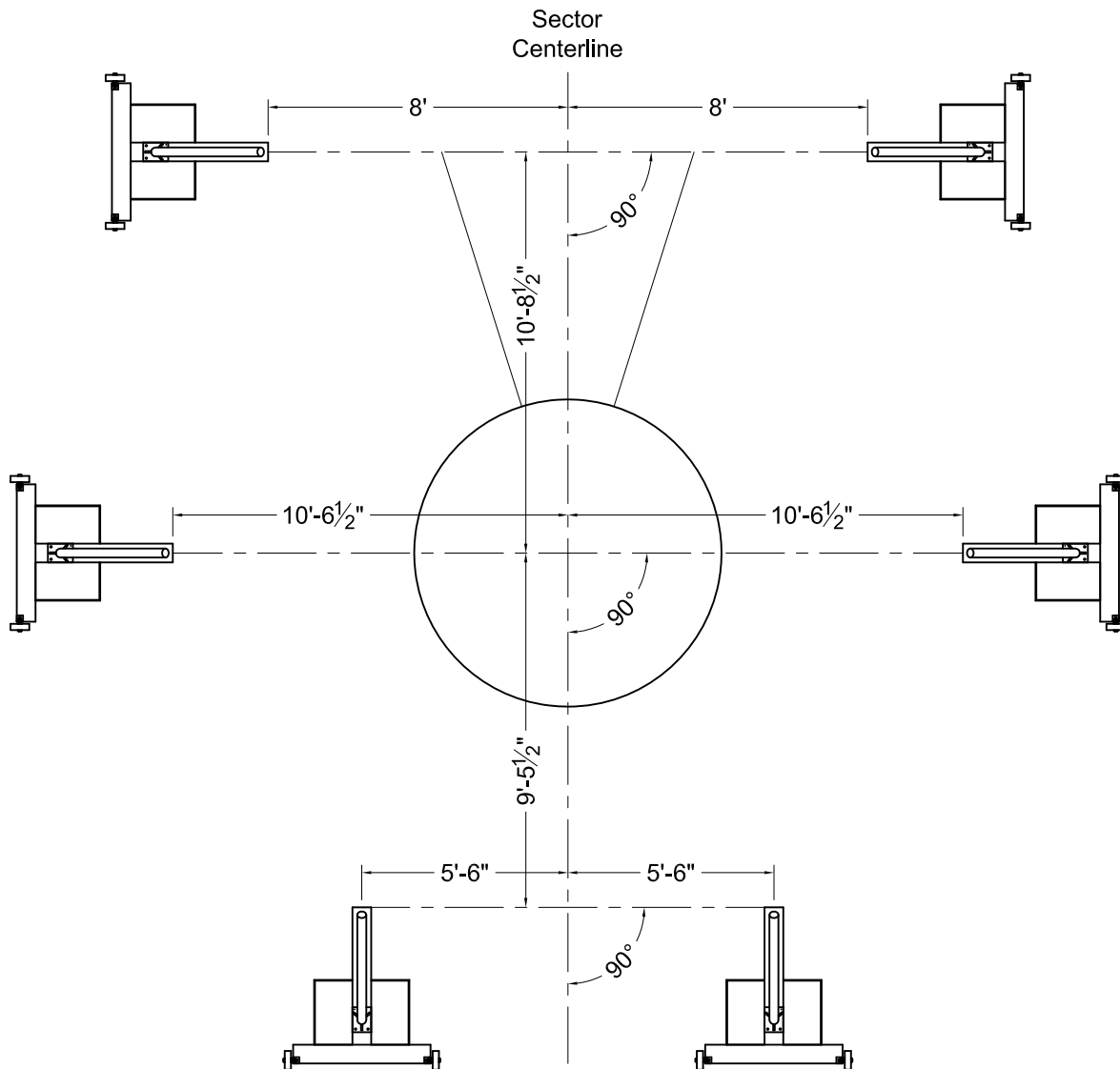
The 732220, High School Portable Discus Cage, is designed to be set up and removed as needed. The cage consists of six aluminum net poles with steel bases, weather treated nylon net, and replaceable bungee cords to secure the net at each base. The steel bases are each furnished with two 8" wheels, allowing the assembled net poles to be rolled into position with ease. The net poles are 2 7/8" dia., 0.203" wall, 6063-T6 aluminum tube. Pole bases are fabricated from 6" x 2" x 3/16" wall steel tube and 3/16" thick steel angle. All steel parts are finished with durable black powder coat paint. Pole bases are weighted with 5 gallon, heavy duty plastic jugs which are to be filled with sand or water. The cage poles stand 14' tall. The net is #504 knotless, nylon netting with a breaking strength of over 180lbs.



www.gillathletics.com
800-637-3090

732220 - HIGH SCHOOL PORTABLE DISCUS CAGE POLE POSITION LAYOUT

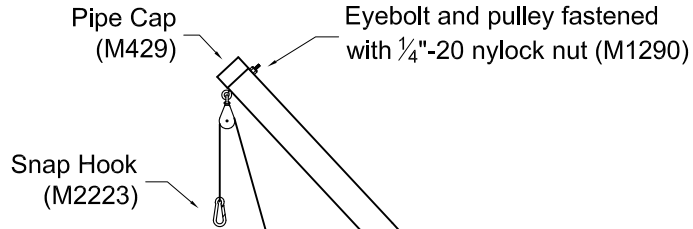
1. Layout and mark circle center and sector lines. Locate and mark with a string line the sector center line. This line should extend 12' forward and behind the circle center. Along this line, locate and mark with stakes a point 10' 8 1/2" in front of the circle and a second point 9' 5 1/2" behind the circle.
2. Locate and mark leading edge of net pole bases. On lines perpendicular to the sector center line; mark points 8' to the right and left for the front bases, 10' 6 1/2" from the circle center for the middle bases, and 5' 6" for the back bases. Position net poles at these positions as shown in the diagram below.
3. Fill weight jugs with sand or water, place in base weight trays and install jug covers. Adhesive back Velcro tape is provided to help secure the covers. Align Velcro tape on tray edge with cover flap.





www.gillathletics.com
800-637-3090

73222020 & 73223020 - PORTABLE CAGE NET POLES NET POLE ASSEMBLY



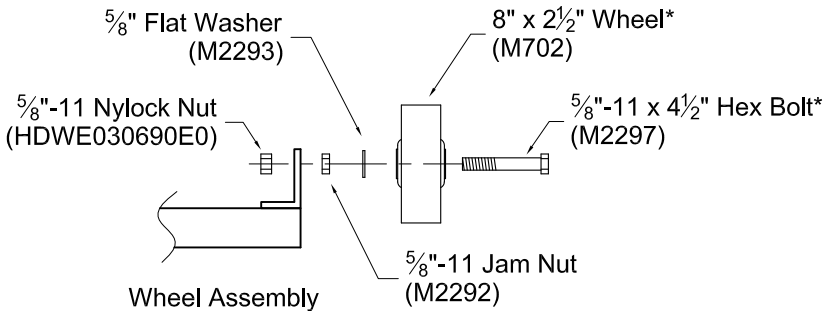
1. Attach wheels to net pole bases, see drawing below. The 5/8" jam nut is used to tighten the wheel assembly to the bracket along with the 5/8" nylock nut on the opposite side. The wheel should be loose enough to freely turn.

2. Install pulley assembly at the top of the net pole with 1/4" nylock hex nuts. The gap in the eye of the bolt should face up. Install the black pole cap down to the pulley eye bolt. The thread on these eye bolts can be trimmed after installation, if so desired.

3. Install the rope cleat with 1/4" hardware.

4. Cut each 50' rope in half and melt ends to prevent fraying. Tie one end to snap hook and feed the other through the pulley. After the rope is fed through the pulley, tie the loose end to the rope cleat to prevent the rope from being lost when lowering the net.

5. Bolt the pole to the base with two 1/2" hex bolts with washers and one 1/2" eyebolt with jam nut and washer as shown below.

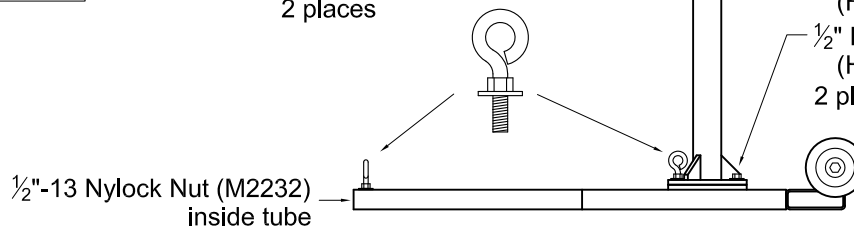


* The weight throw cage (732250) uses a different wheel and axle bolt.
6" x 2" Wheel (M701)
5/8"-11 x 4" Hex Bolt (M2278)

Plastic 8" Rope Cleat (M2245)
1/4"-20 x 4 1/2" Screw (HDWE06213) x2
1/4"-20 Nylock Nut (M1290) x2

1/2"-13 x 2" Eyebolt (M2770)
1/2"-13 Hex Nut (HDWE030030E0)
1/2" Flat Washer (HDWE050050E0)
2 places

1/2"-13 x 1 1/4" Hex Bolt (HDWE011540E0)
1/2" Flat Washer (HDWE050050E0)
2 places



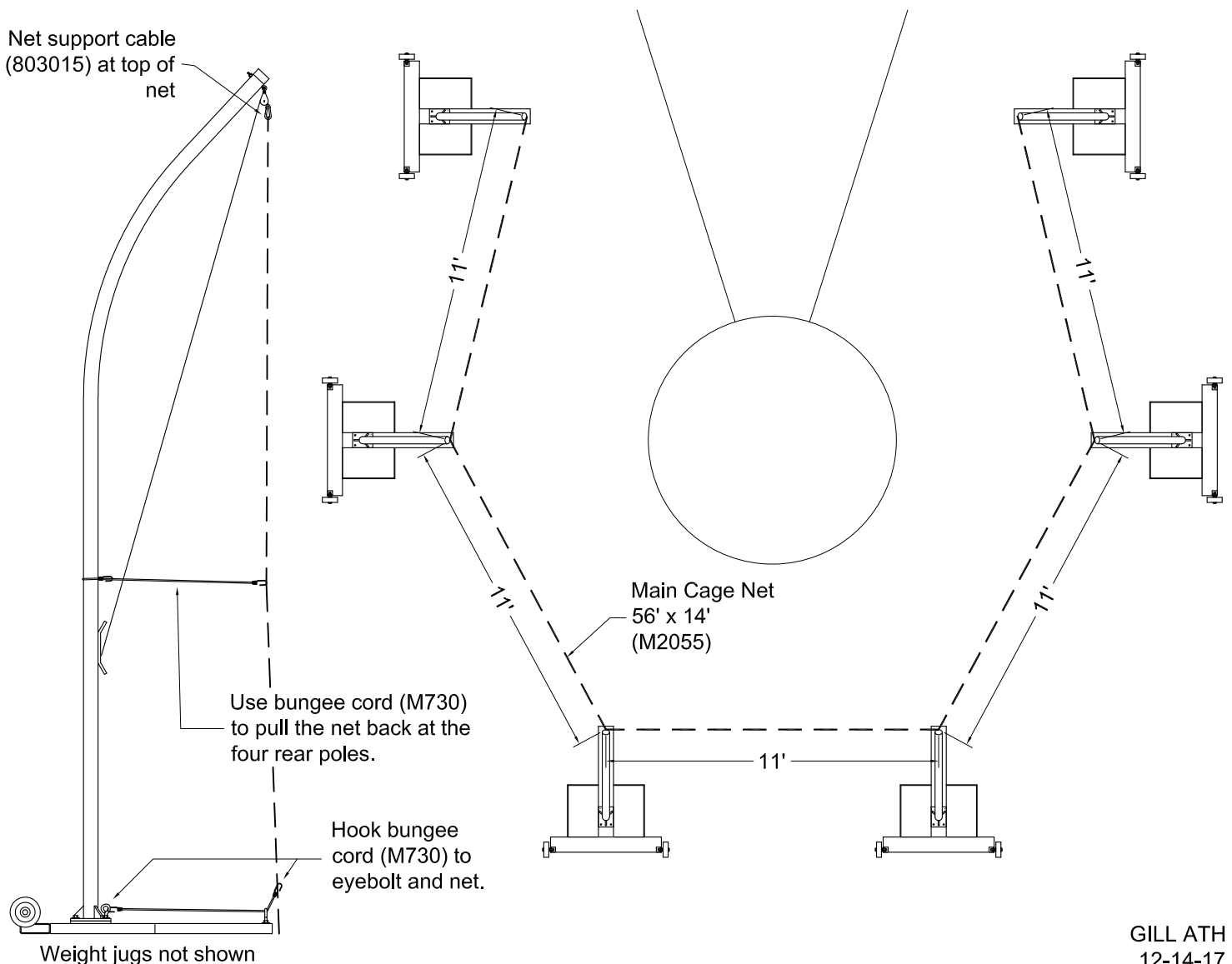
GILL ATH
02-20-13



www.gillathletics.com
800-637-3090

732220 - HIGH SCHOOL PORTABLE DISCUS CAGE NET INSTALLATION

1. To minimize sag, the net is supported by a vinyl coated steel cable. To install the cable, weave it in and out through every 5th net opening just below the top edge of the net. When finished, the loops at each end of the cable should be even with the ends of the net.
2. To ensure the net is evenly spaced when it is installed, mark each hook position on the net according to the diagram below. Stretch the net out flat and stake one upper corner to the ground along with the end of a 100 ft. long measuring tape. Stretch the net, cable, and tape and stake the corner to hold its position next to the tape. Mark the top of net and the cable at the dimensions shown.
3. Lay out the net inside the cage poles with each marked position next to the appropriate net rope hook. At each position hook both the net binding and the cable. At each end be sure the hook is through the cable loop.
4. Raise the net to the top of the poles and tie off the ropes. Hook one end of the bungee cord to the eye bolt at the pole base. Pass it through the outer eye bolt and hook the net so it is taught. The bottom few inches of the net is supposed to lay on the ground to help trap a discus.



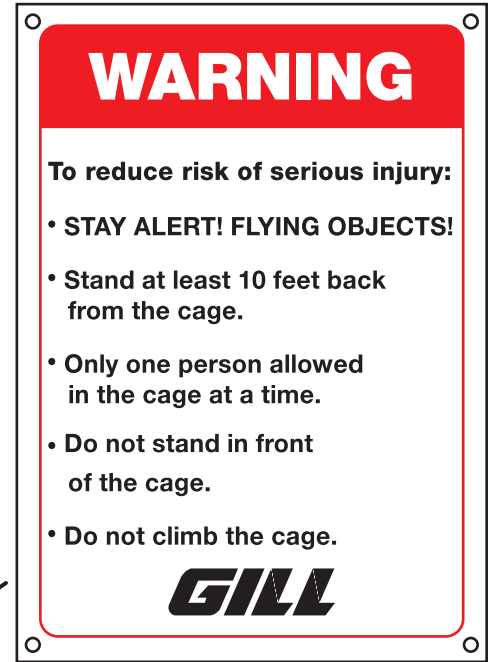


www.gillathletics.com
800-637-3090

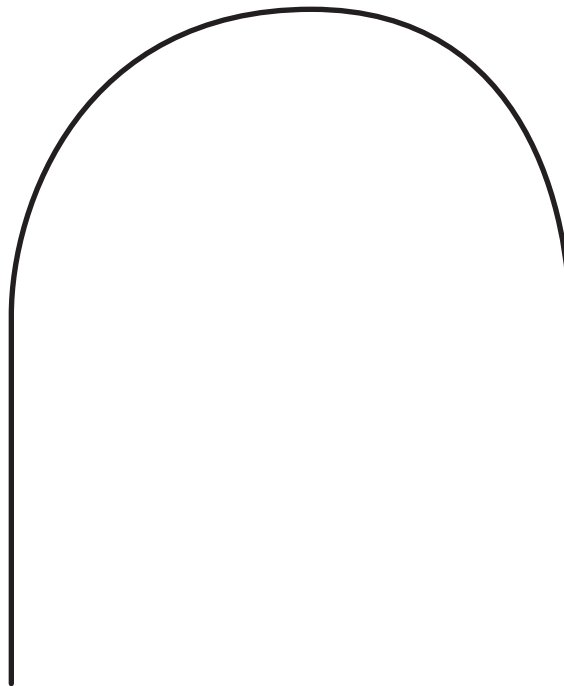
THROWING CAGE INSTALLATION OF WARNING SIGNS

For the protection of athletes, spectators, and coaches install warning signs according to the diagram below.

Attach signs (M2322) to the cage net with the included 1.25" rings (M1250) in each corner. Signs should face away from the cage toward spectators.



Center Back: Attach sign to the outside of the net at eye level in the middle of the back of the cage.



Left Front Side: Attach sign to the outside of the net at eye level near the front left side of the cage.



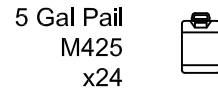
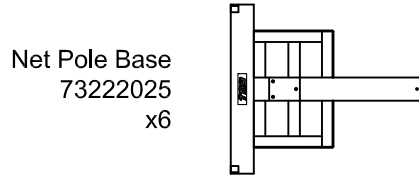
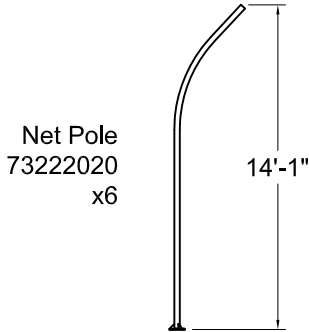
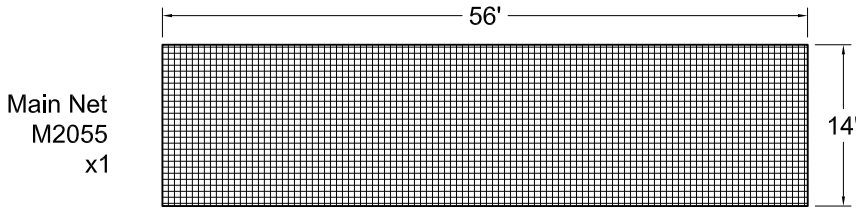
Right Front Side: Attach sign to the outside of the net at eye level near the front right side of the cage.



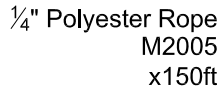
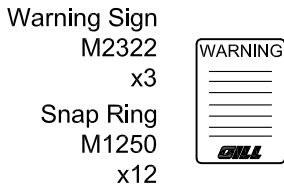
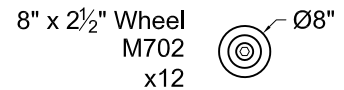
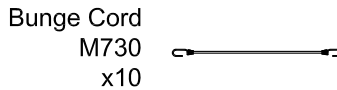
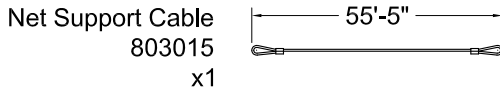


www.gillathletics.com
800-637-3090

732220 - HIGH SCHOOL PORTABLE DISCUS CAGE SHIP LIST



Cage Components Box - 73222040



Flat Black Touch-Up Paint
PANT00010016
x1

Hardware Kit - 73222060

BASE HARDWARE BAG x 1 (73222061):		
QTY.	M#	DESCRIPTION
24	HDWE050050E0	1/2" Flat Washer
6	M2232	1/2"-13 Nylock Hex Nut
12	HDWE030030E0	1/2"-13 Hex Nut
12	HDWE011540E0	1/2"-13 x 1 1/4" Hex Bolt
12	M2770	1/2"-13 x 2" Eyebolt

WHEEL HARDWARE BAG x 1 (73222062):		
QTY.	M#	DESCRIPTION
12	M2297	5/8"-11 x 4 1/2" Hex Bolt
12	M2292	5/8"-11 Jam Nut
12	M2293	5/8" Flat Washer
12	HDWE030690E0	5/8"-11 Nylock Hex Nut

POLE HARDWARE BAG x 1 (73222063):		
QTY.	M#	DESCRIPTION
18	M1290	1/4"-20 Nylock Hex Nut
6	M2729	*Pulley for 1/4" Rope
6	M2749	*1/4"-20 x 4" Eyebolt
6	M429	2 1/2" Sch 40 Pipe Cap (2 7/8" ID cap)
6	M2223	3/8" Snap Hook
6	M2245	Plastic 8" Rope Cleat
12	HDWE06213	1/4"-20 x 4 1/2" Screw

THIS WARNING IS GIVEN IN COMPLIANCE WITH CALIFORNIA'S PROPOSITION 65:

WARNING

This product contains chemicals known to the State of California to cause cancer, birth defects or other reproductive harm.

* The pulleys must be assembled onto the eyebolts.