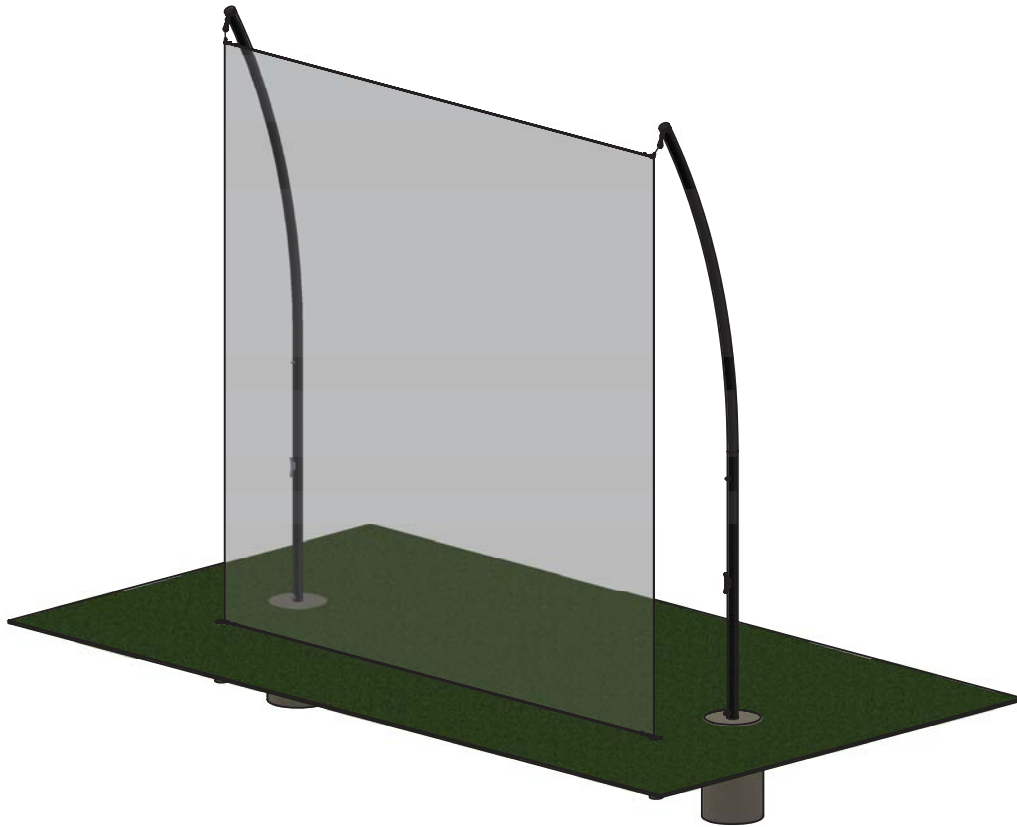




www.gillathletics.com
800-637-3090

20' OFFSET BALL STOPS ASSEMBLY INSTRUCTIONS



739120
739120A

20' BALL STOP;
OFFSET POLE

Read all of the instructions before beginning. Make sure you have all parts and tools you will need. Consult local codes and guidelines. Local conditions may require a different procedure, the following instructions should be considered recommended minimums.

CAUTION - contact your local utility companies to locate burried electrical, gas, and water lines before digging holes for footings. Also check for overhead utilities.

ALWAYS LOWER NETS IN HIGH WIND STORMS

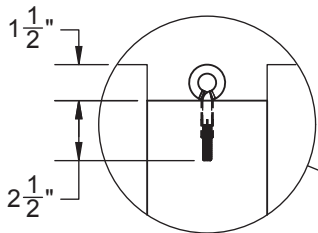
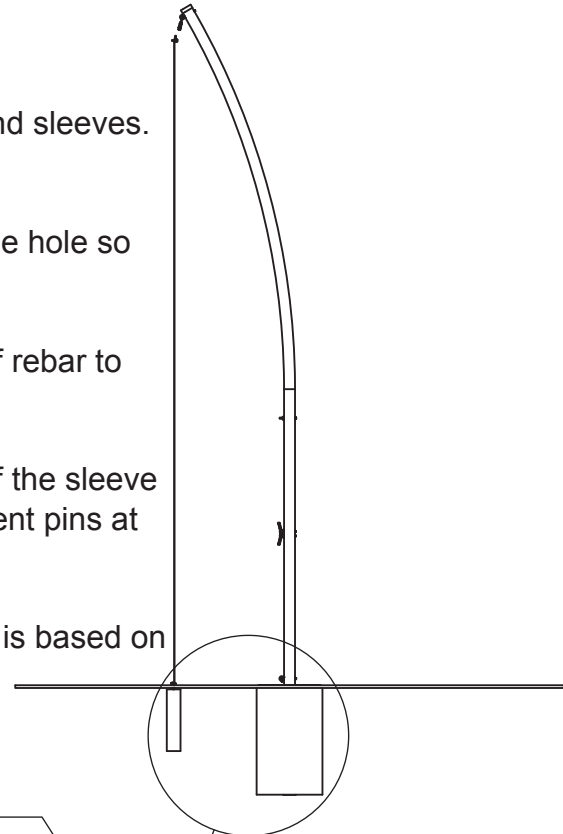
1. Locate and dig footings for each upright. Poles are set in ground sleeves. Confirm all locations before setting.

Position and level gravel or a flat concrete pad in the bottom of the hole so that the sleeve opening rests at the proper height at the surface.

Fix and support the sleeve in position with wire and/or sections of rebar to prevent sleeve movement during the concrete pour.

During the pour, ensure the alignment holes at the top opening of the sleeve remain properly aligned. These holes help orient the pole alignment pins at the bottom of the sleeves.

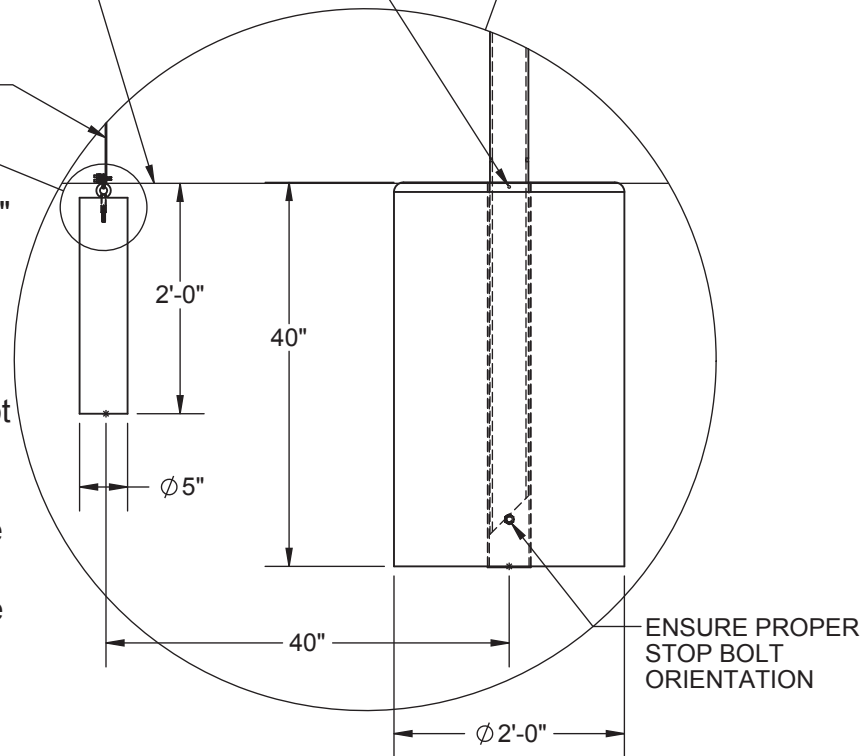
The footer size is to be determined by the architect/engineer and is based on local codes and soil conditions.



SLEEVE ALIGNMENT HOLE
GROUND LEVEL
NET

NET ANCHOR PIERS:

1. Dig a 5" x 24" deep hole for each net anchor pier. Piers should be placed 38" to 40" in front of each net pole.
2. During the concrete pour for the ground sleeves, fill each hole to within 1-1/2" of the surface level. This will place the eyebolt anchor point below the surface level so as not to interfere with mowing.
3. After concrete has cured, drill a 1/2" x 2 1/2" deep hole in the center of the pier for the stainless steel threaded anchor. Clean the hole and insert the threaded anchor. Seat the anchor with a 5/16" pin punch and install the 3/8" eyebolt.



Concrete must be allowed to fully cure before continuing

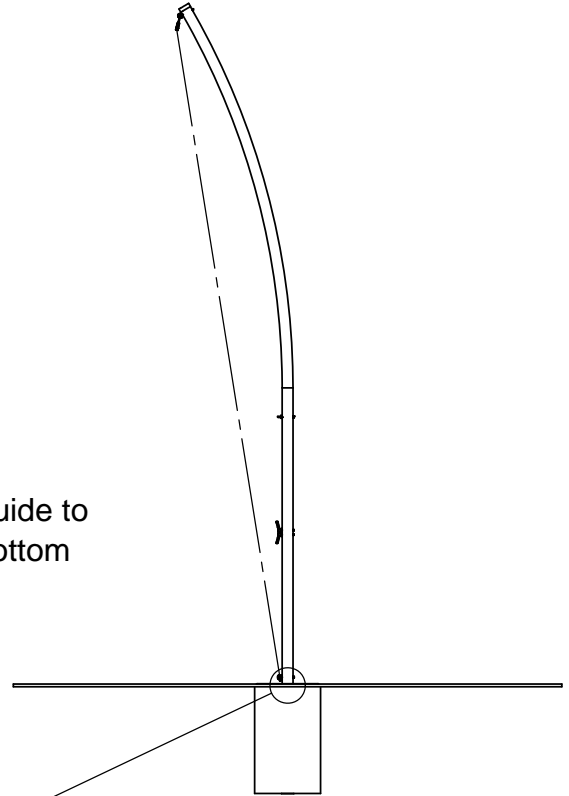
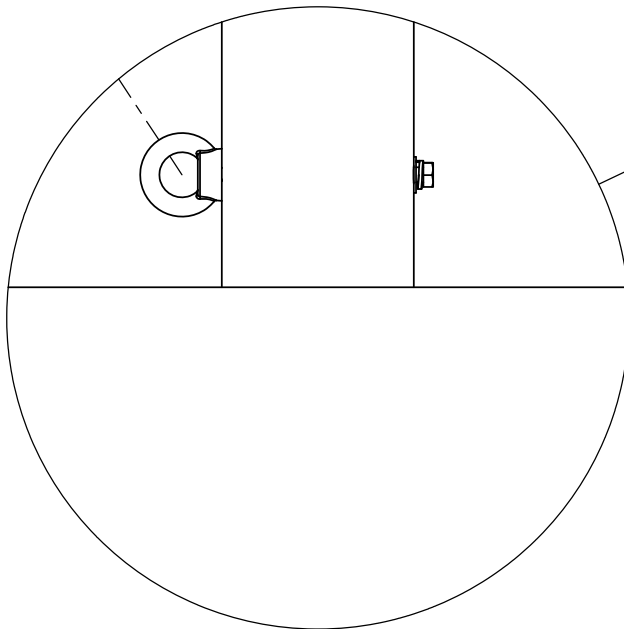


www.gillathletics.com
800-637-3090

20' OFFSET BALL STOPS ASSEMBLY INSTRUCTIONS

OPTIONAL

If Net Anchor Piers are not used, move the net rope guide to the through hole at the base of the pole. Secure the bottom of the net and lower net cable to this eye nut and bolt.



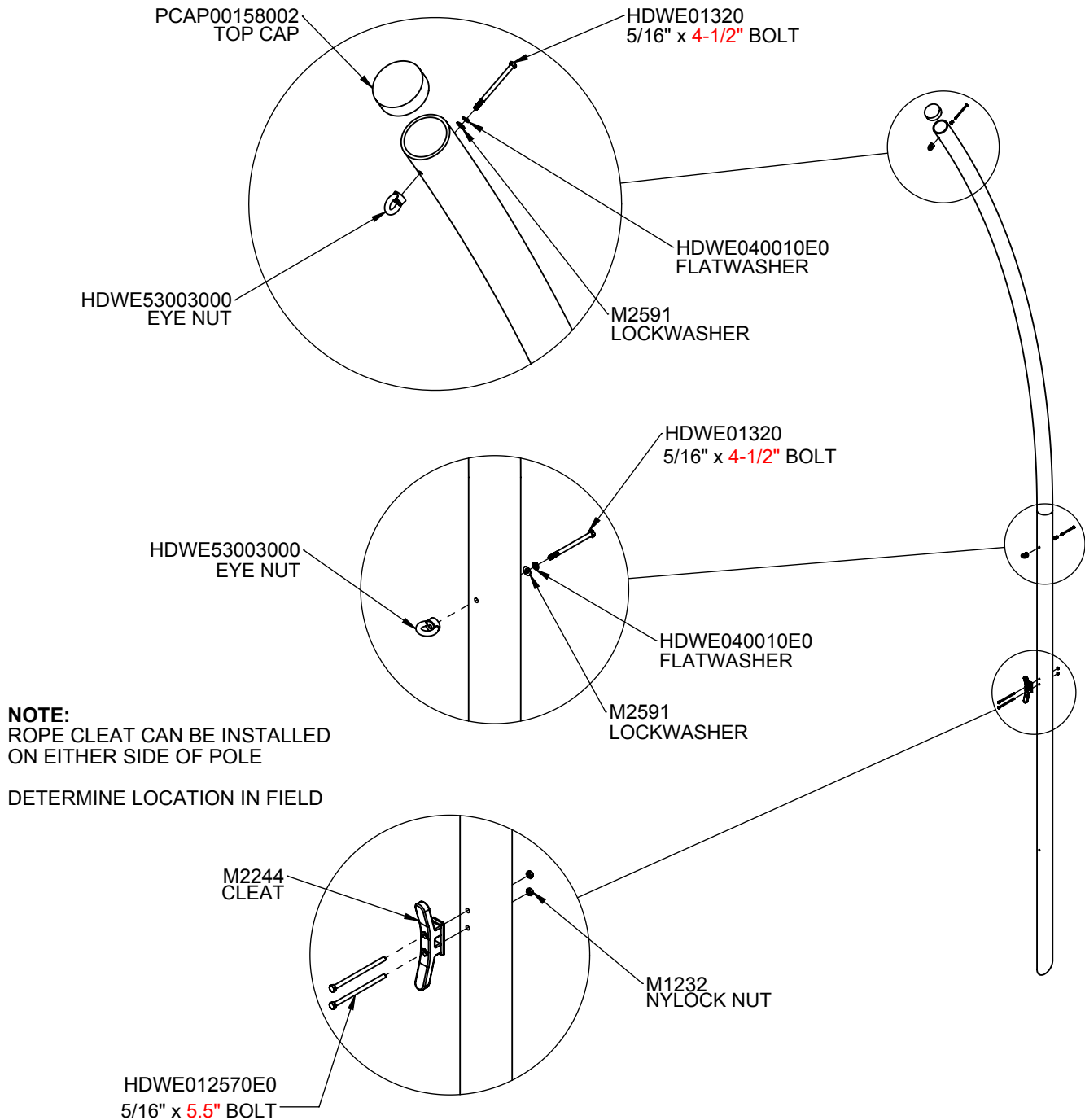


www.gillathletics.com
800-637-3090

20' OFFSET BALL STOPS ASSEMBLY INSTRUCTIONS

2. Assemble the top cap, rope cleat, and eye nuts as shown

NOTE: THERE ARE 2 DIFFERENT BOLTS USED IN THIS STEP, 5.5" AND 4.5" LONG
USE THE 5.5" BOLT ON THE ROPE CLEAT

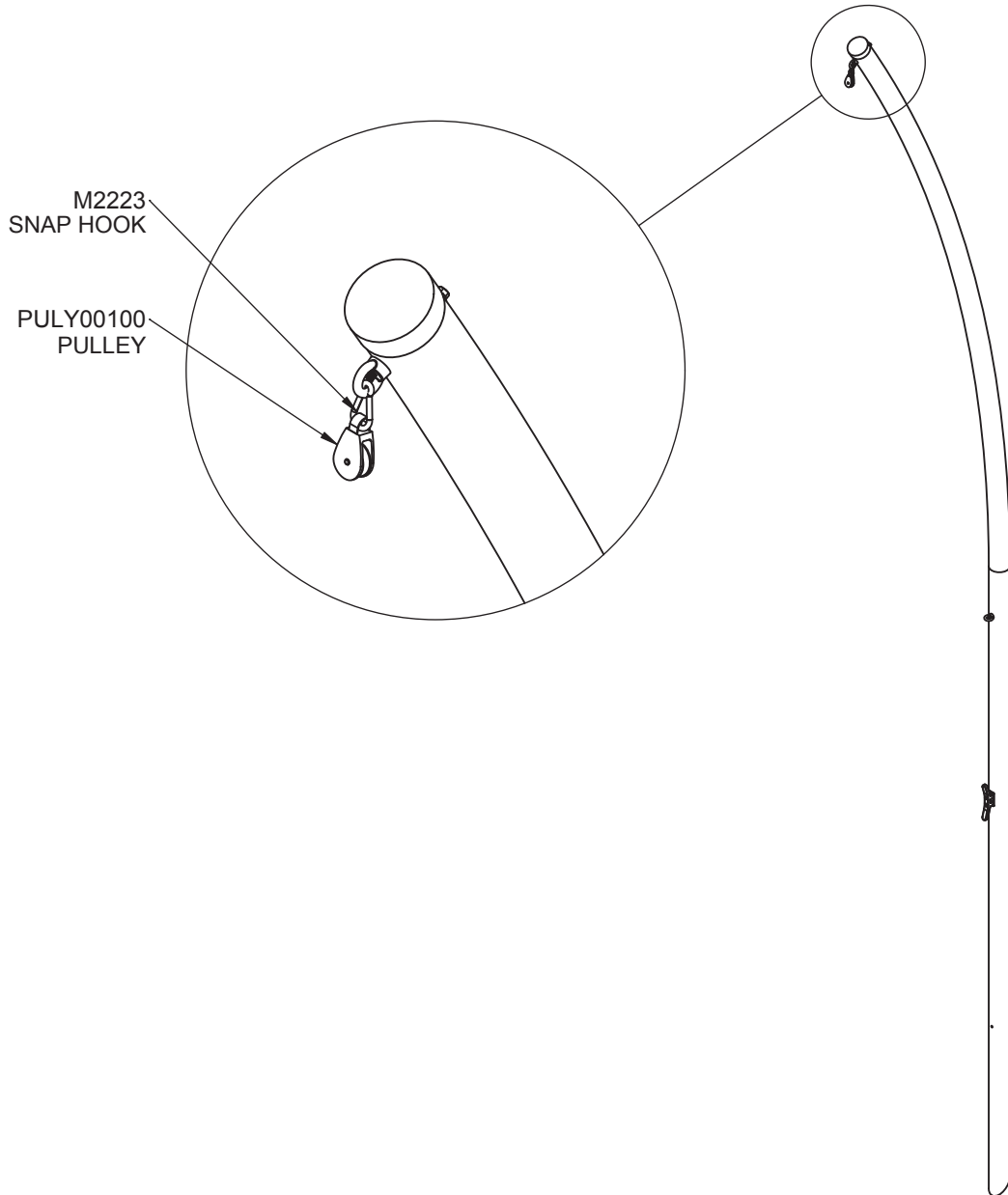




www.gillathletics.com
800-637-3090

20' OFFSET BALL STOPS ASSEMBLY INSTRUCTIONS

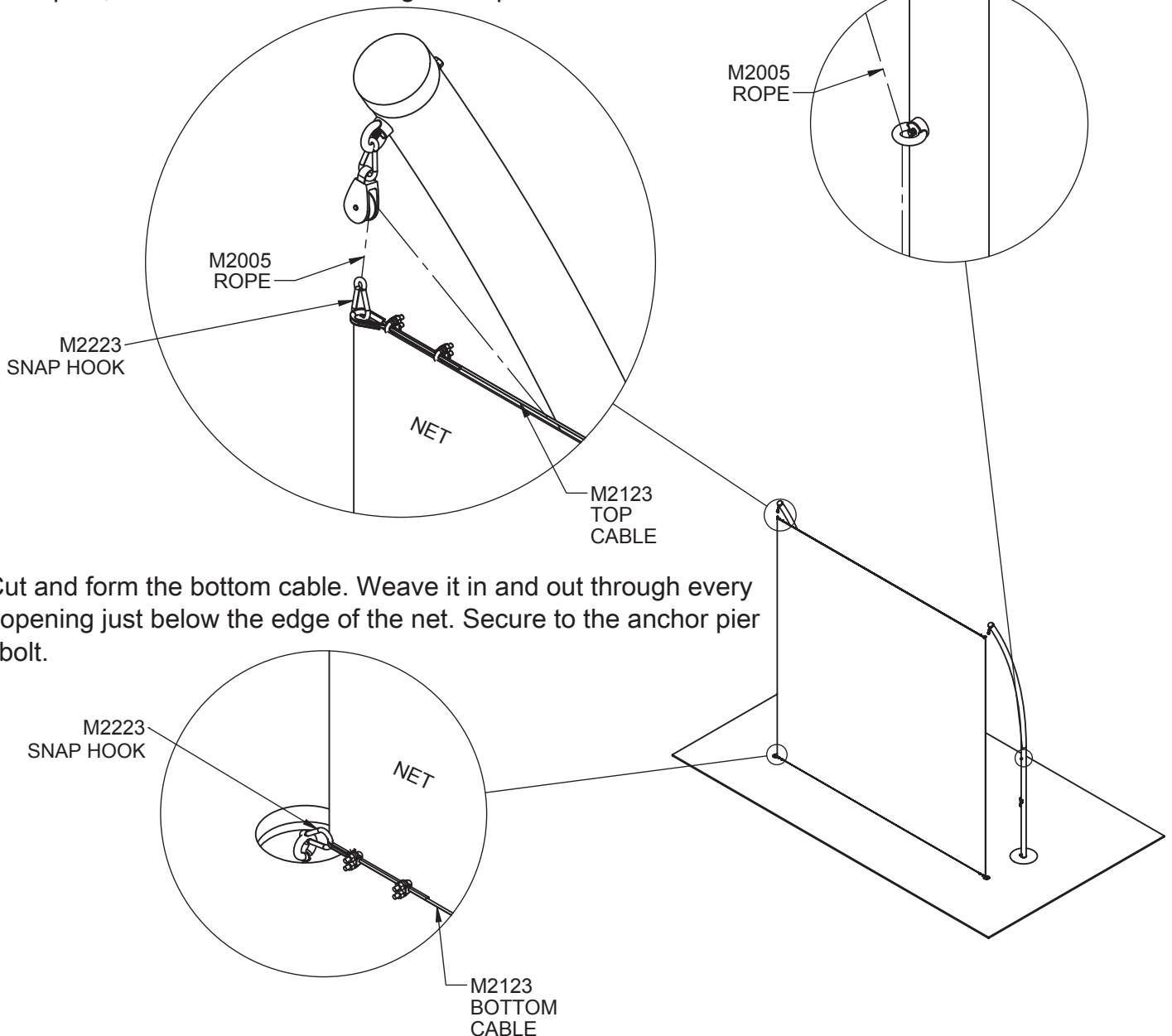
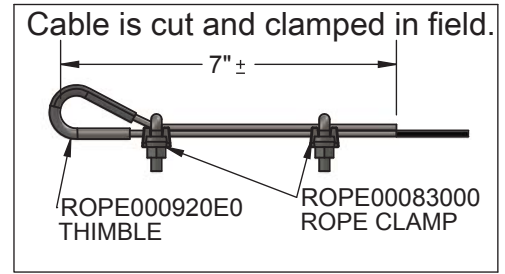
3. Attach the pulley.



4. Feed the rope through the eye nut and pulley and tie in a snap hook. Knots can be tied in the rope to keep it from pulling out when raising or lowering the net. Extra rope will wrap on the cleat.

Lay the nets flat on the ground. Cut and form the top cable. Weave it in and out through every 5th opening just below the edge of the net.

At each pole, hook both the net binding and top cable.



5. Cut and form the bottom cable. Weave it in and out through every 5th opening just below the edge of the net. Secure to the anchor pier eyebolt.



www.gillathletics.com
800-637-3090

20' OFFSET BALL STOPS ASSEMBLY INSTRUCTIONS

WARNING

- READ ALL CAUTIONS AND WARNINGS THOROUGHLY BEFORE USING THIS EQUIPMENT.
- READ ALL INSTRUCTIONS THOROUGHLY BEFORE ATTEMPTING TO ASSEMBLE THIS EQUIPMENT. ASSEMBLY OF THIS EQUIPMENT MUST BE DONE BY PHYSICALLY CAPABLE ADULTS ONLY.
- FAILURE TO COMPLY WITH THE INSTRUCTIONS, MAINTENANCE, AND WARNINGS MAY RESULT IN SERIOUS INJURIES AND/OR PROPERTY DAMAGE.
- WHILE IT CANNOT BE ELIMINATED, THE RISK OF INJURIES CAN BE GREATLY REDUCED BY FOLLOWING PROPER SAFETY GUIDELINES AND PROVIDING PROPER MAINTENANCE AND SAFETY INSPECTIONS.
- BALL STOPS ARE DESIGNED TO PROVIDE LIMITED PROTECTION FOR SPECTATORS. HOWEVER, STRICT SAFETY PRECAUTIONS AND ADULT SUPERVISION MUST BE OBSERVED AT ALL TIMES TO MINIMIZE THE POSSIBILITY OF ACCIDENTAL INJURIES.
- SPECTATORS MUST BE INSTRUCTED TO STAND A SAFE DISTANCE FROM THE NETTING, TO AVOID THE POSSIBILITY OF BODILY CONTACT WITH BALLS, OR OTHER EQUIPMENT.
- THE OWNER OF THIS EQUIPMENT IS RESPONSIBLE TO ENSURE THAT ALL INDIVIDUALS FOLLOW THESE SAFETY AND OPERATING INSTRUCTIONS TO AVOID INJURIES OR PROPERTY DAMAGE. PROPER USE AND SUPERVISION OF THIS EQUIPMENT IS ESSENTIAL TO HELP REDUCE THE POSSIBILITY OF ACCIDENTS OR INJURIES.
- DO NOT SUBSTITUTE FOR THE FACTORY-SUPPLIED CABLE, CABLE CLAMPS, AND HARDWARE.
- MAKE SURE NETTING DOESN'T CONTACT ANYTHING SOLID, SUCH AS A WALL OR CHAIN LINK FENCE.
- DO NOT ALLOW ANY INDIVIDUALS TO CLIMB POSTS OR NETS.
- USE EXTREME CAUTION WHEN WALKING AROUND THE BALL STOPS.
- NETS SHOULD ALWAYS BE LOWERED WHEN NOT IN USE AND **ESPECIALLY IN HIGH WIND**, SHOW, AND ICE STORMS.
- THIS WARNING IS GIVEN IN COMPLIANCE WITH CALIFORNIA'S PROPOSITION 65: WARNING THIS PRODUCT CONTAINS CHEMICALS KNOWN TO THE STATE OF CALIFORNIA TO CAUSE CANCER, BIRTH DEFECTS OR OTHER REPRODUCTIVE HARM.

GENERAL MAINTENANCE

- INSPECT THIS EQUIPMENT FOR WEAR, LOOSE FITTINGS, DAMAGE AND PROPER STABILITY BEFORE EACH USE. REPLACE DEFECTIVE OR WORN PARTS IMMEDIATELY. IF IN DOUBT, DO NOT USE THIS EQUIPMENT UNTIL REPAIRED.
- THE NETS SHOULD BE DISMANTLED AND STORED WHEN NOT BEING USED. STORE IN A CLEAN DRY AREA.
- PERIODICALLY CHECK AND RE-TENSION ALL CABLES
- INSPECT NETTING BEFORE EACH USE FOR ANY HOLES. IF NETTING IS WORN OR DAMAGED, STOP USING IT UNTIL IT IS REPLACED OR REPAIRED.
- REGULARLY CHECK THE ENTIRE STRUCTURE FOR SIGNS OF CORROSION AND REPAINT WITH AN EXTERIOR GRADE, RUST-RESISTANT ENAMEL.