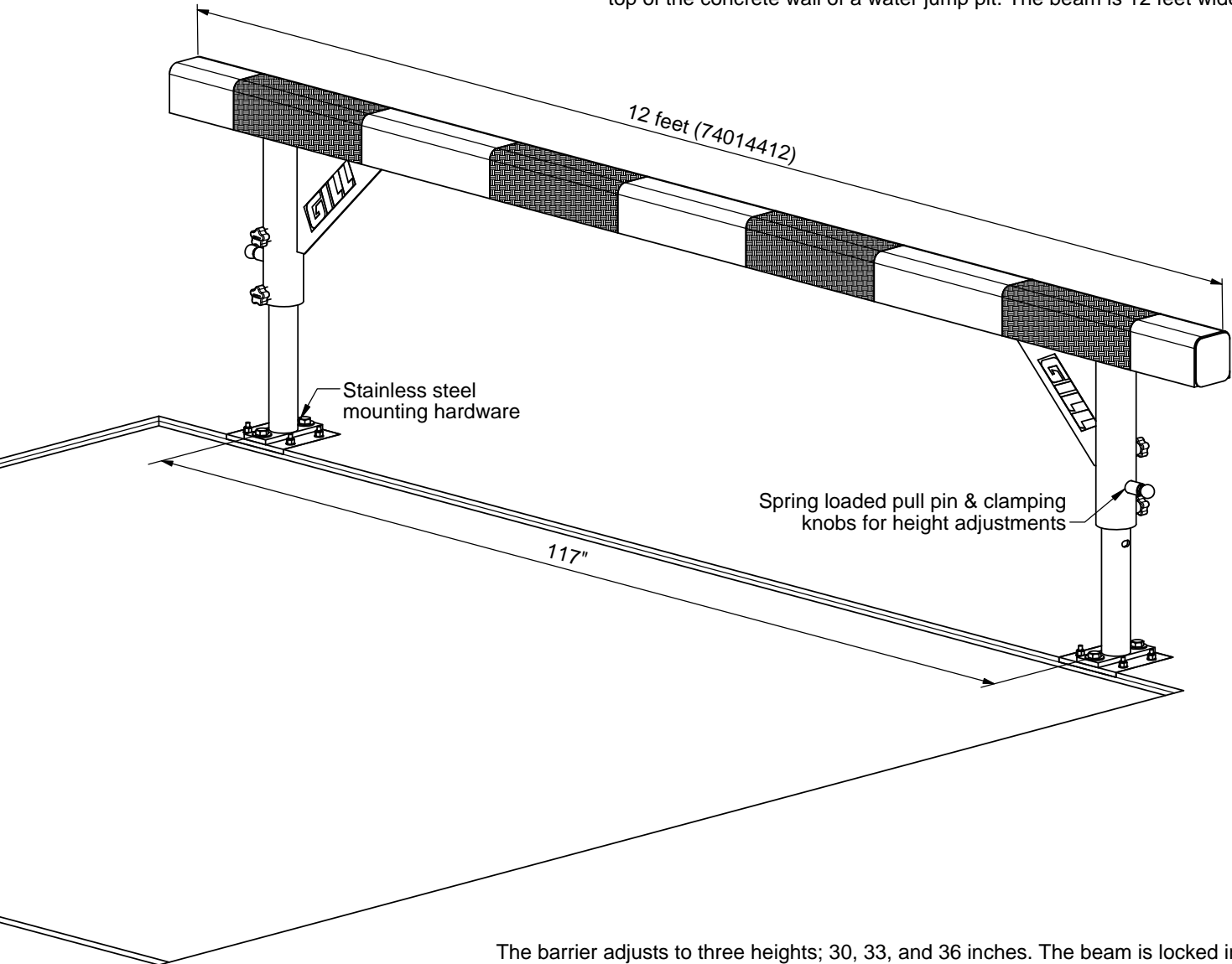




www.gillathletics.com
800-637-3090

740144 - WATER JUMP BARRIER - SURFACE MOUNT INSTRUCTIONS

The 740144 Water Jump Barrier is designed to be mounted to the top of the concrete wall of a water jump pit. The beam is 12 feet wide



The barrier adjusts to three heights; 30, 33, and 36 inches. The beam is locked in position with a stainless steel spring loaded pull pin and clamping knobs.

The beam is constructed of 4 inch square 11 gauge steel tube, covered on three sides with 1/2 inch thick Vultrak track surface.

The leg assemblies are fabricated from 2-1/2 " and 3-1/2" Sch 40 steel pipe with spring assist. The legs are painted with powder coat for a durable finish.

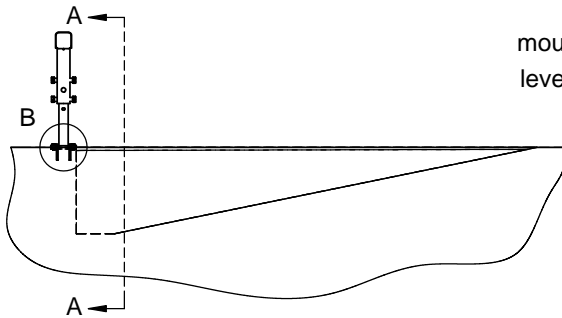
The leg assemblies bolt securely to half inch thick stainless steel anchor plates. These plates are secured to the top of the pit wall with four concrete anchors each.

NCAA compliant and IAAF certified.

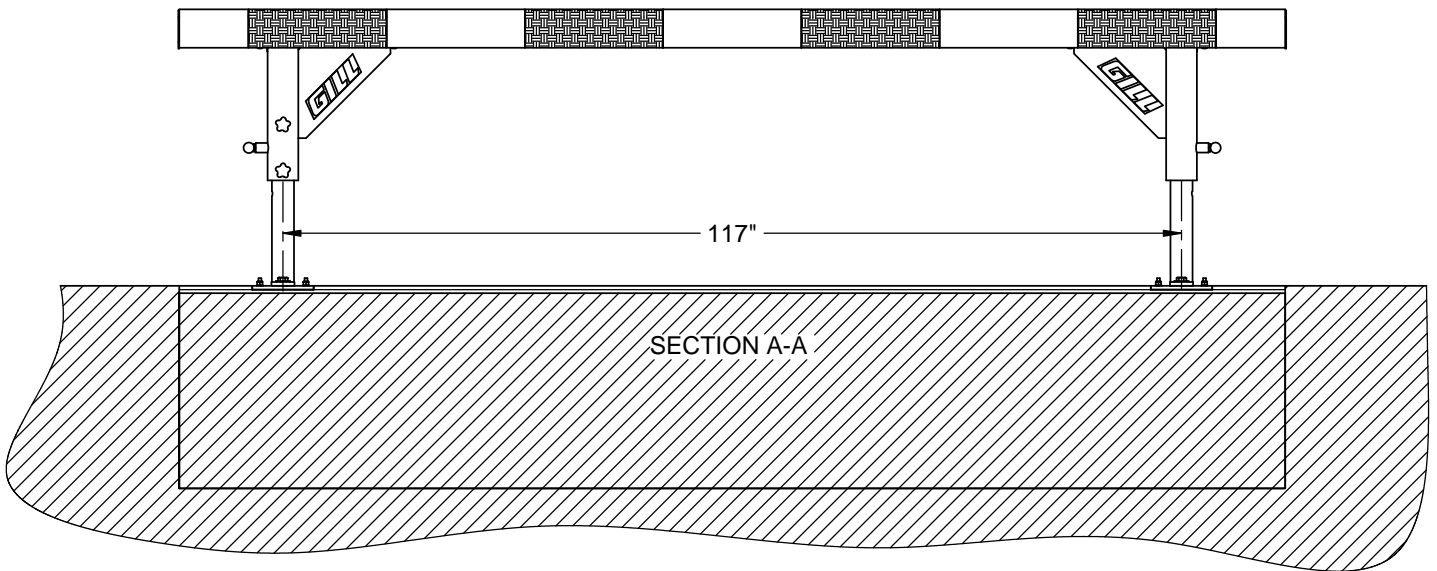
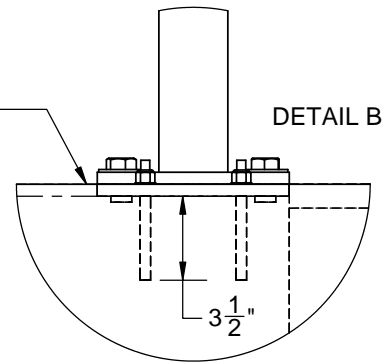


www.gillathletics.com
800-637-3090

740144 - WATER JUMP BARRIER - SURFACE MOUNT INSTRUCTIONS

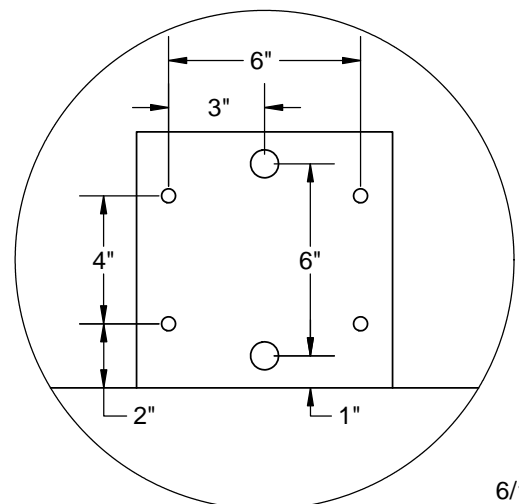
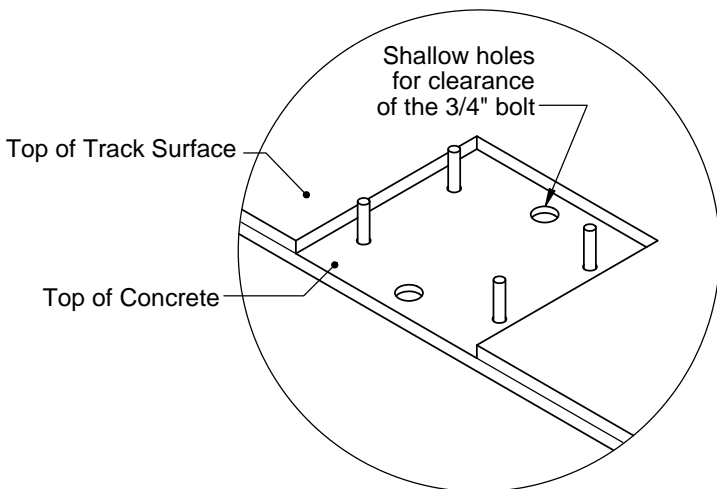


Install the stainless steel mounting plate so that the top is level with the finished elevation.



For each mounting plate, drill four $\phi 7/16$ " holes 3-1/2" deep and two $\phi 7/8$ " holes 1/4" deep.

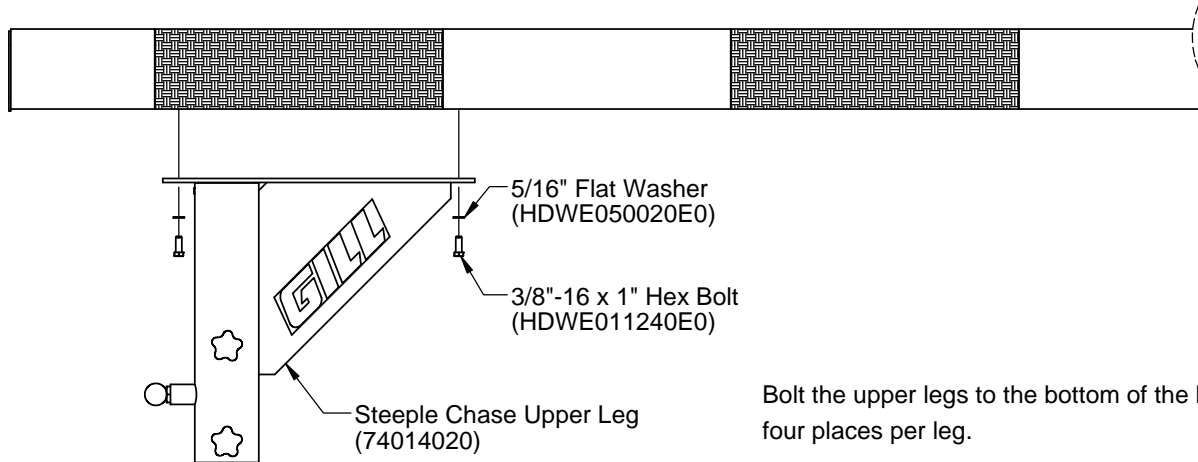
Use acrylic anchoring adhesive (not included) to secure the anchor studs in the holes.





www.gillathletics.com
800-637-3090

740144 - WATER JUMP BARRIER - SURFACE MOUNT INSTRUCTIONS



Bolt the upper legs to the bottom of the beam in four places per leg.

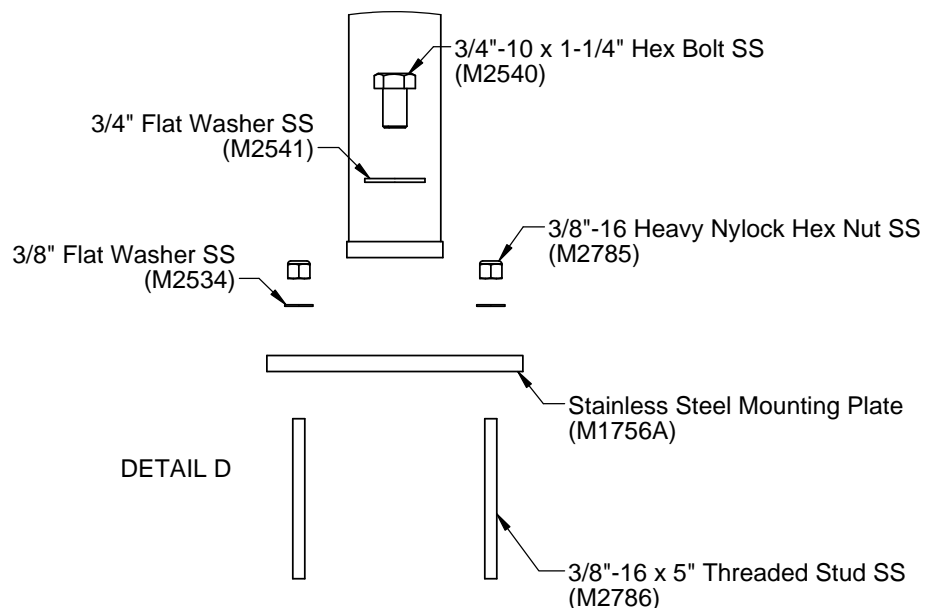
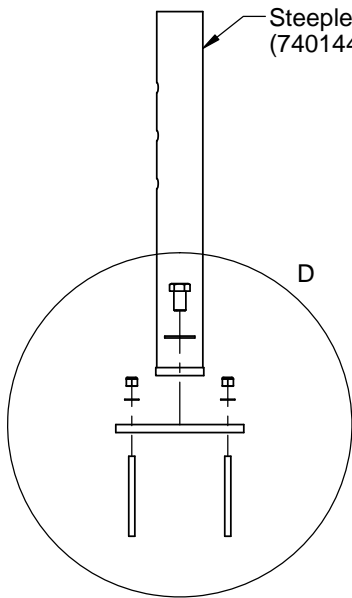
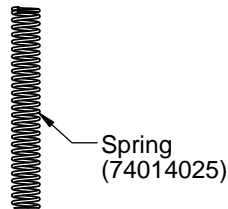
Bolt lower leg to the mounting plate.

Slide the spring into the top of the lower leg.

Make sure the clamping knobs are backed out.

With at least two people, lift the beam and slide the upper legs onto the lower legs.

Pull the pin out to adjust to the designed height. Tighten the clamping knobs to secure the beam.



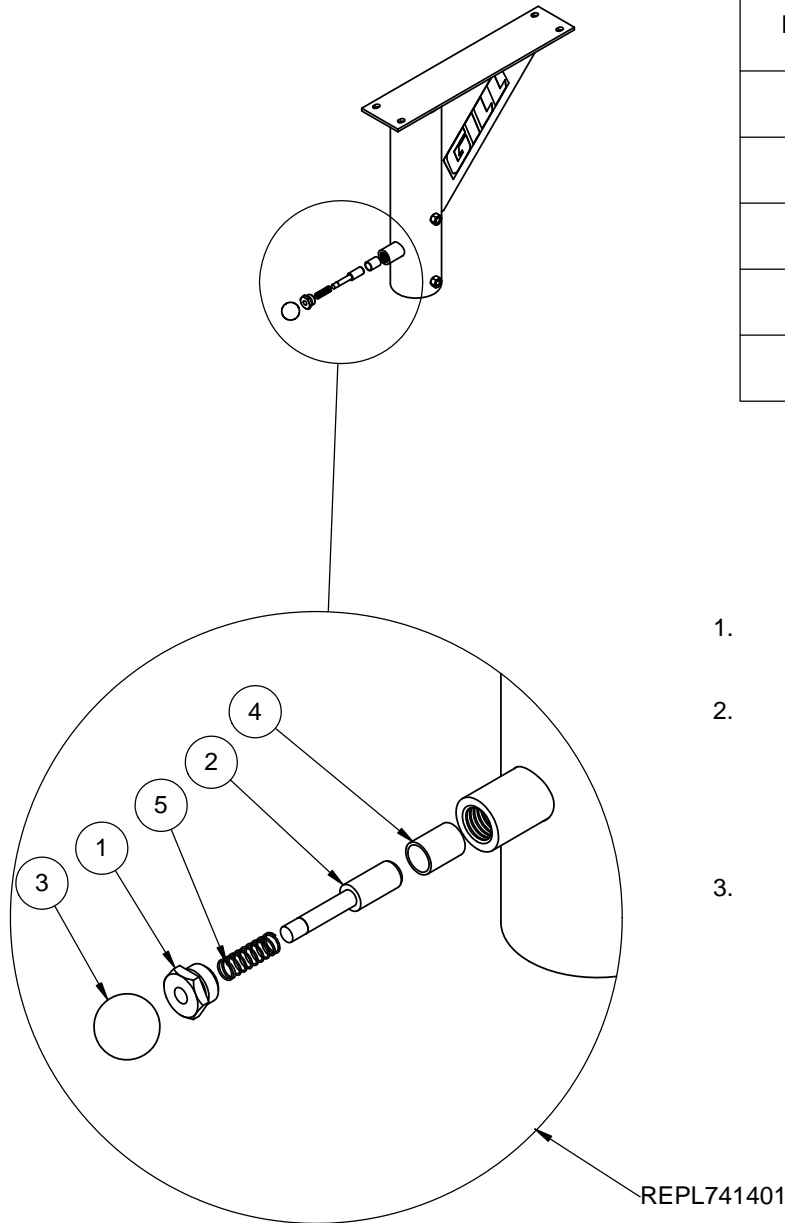
THIS WARNING IS GIVEN IN COMPLIANCE WITH CALIFORNIA'S PROPOSITION 65:
WARNING
This product contains chemicals known to the State of California to cause cancer, birth defects or other reproductive harm.



www.gillathletics.com
800-637-3090

740144 - WATER JUMP BARRIER - SURFACE MOUNT INSTRUCTIONS

ITEM NO.	PART NUMBER	Description
1	7401402003	Pull Pin Collar Cap
2	7401402004	Pull Pin Stud
3	HAND00088	Ball Knob
4	BUSH00088	Shaft Bushing
5	SPNG00041	Spring



1. Press the bushing (BUSH00088) into the pull pin collar so that it is flush with the inside wall of the pipe.
2. Slide the spring (SPNG00041) onto the shaft of the pull pin stud (7401402004). Then slide the pull pin collar cap (7401402003) onto the pull pin stud. Next screw the knob (HAND00088) onto the pull pin stud and Loc-Tite the threads.
3. Screw the pull pin collar cap into the pin collar. Make sure to Loc-Tite the threads.