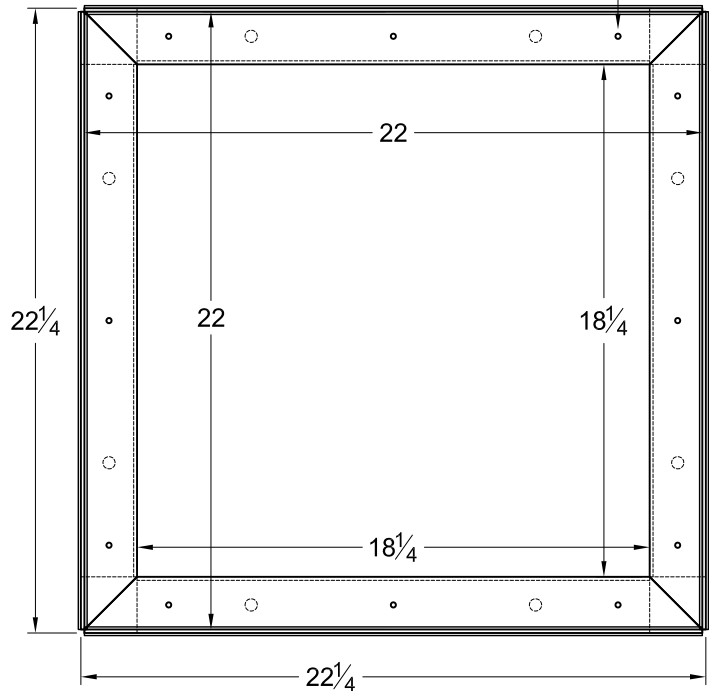
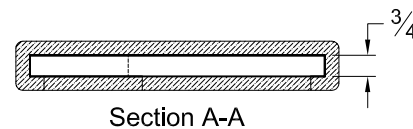
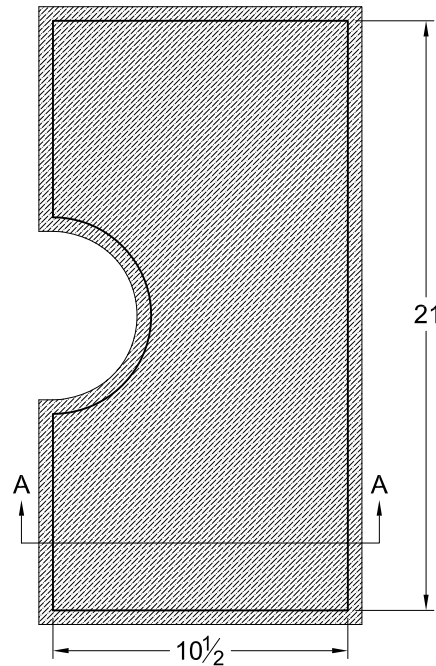


Access Frame is constructed from 1/8" Aluminum sheet.



Ø<sup>3</sup>/<sub>16</sub>" hole for wood furring strip attachment if needed

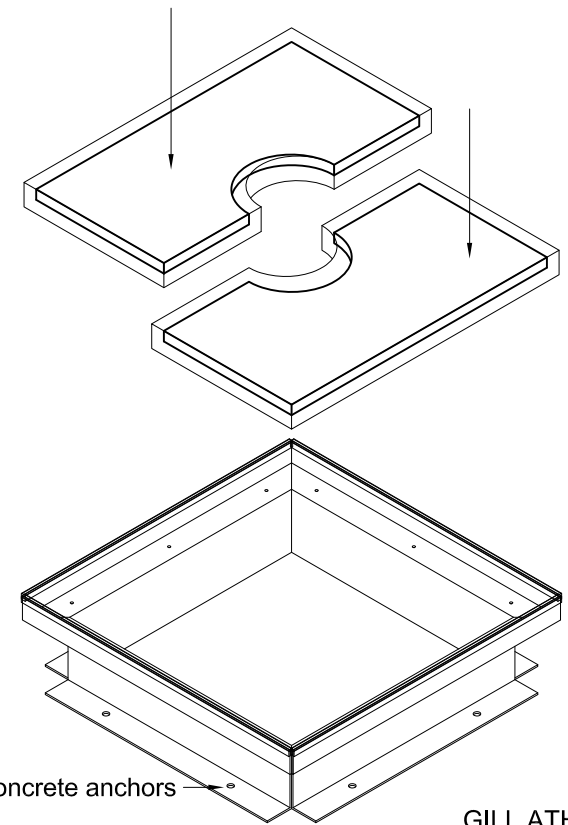
Pole plug is constructed from 3/4" PVC, and 1/2" Artificial Turf.



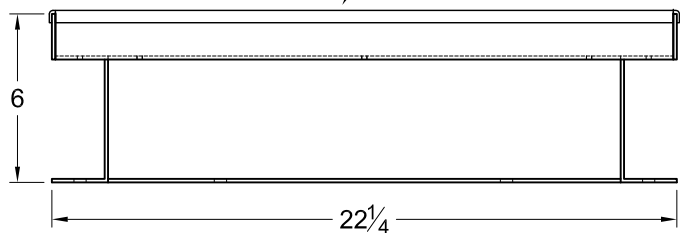
Parts List:

- (1) Access Frame
- (2) Pole Plugs

Pole Plugs drop into access frame around foot ball goal post. Turf provides a snug fit against access frame and goal post.



Top edge of access frame has protective edge trim.



Ø<sup>7</sup>/<sub>16</sub>" holes for concrete anchors