



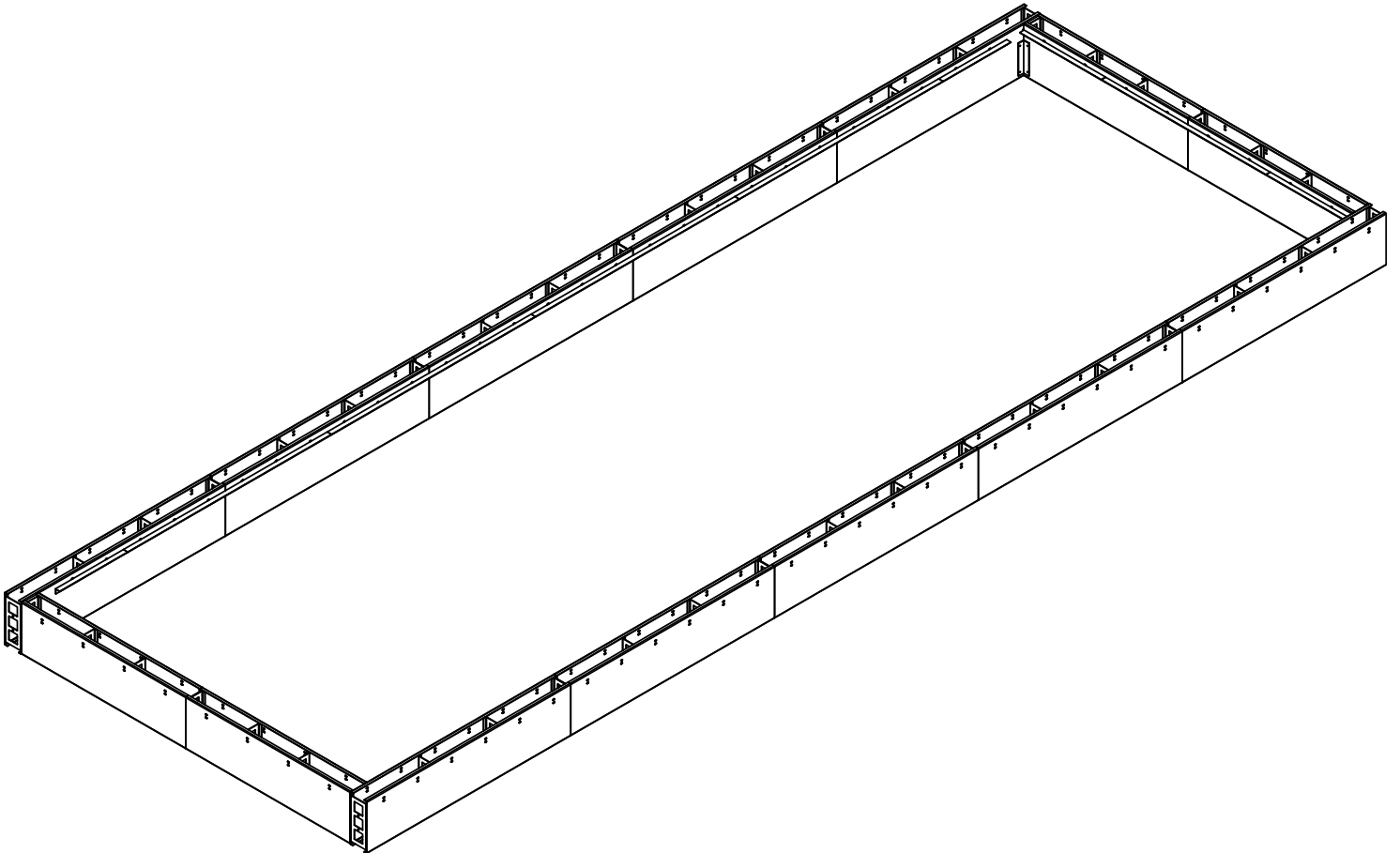
www.gillathletics.com
800-637-3090

SAND PIT FORMS
INSTRUCTIONS

GILL SAND PIT FORMS

F420 SERIES

FORM WITHOUT CATCHERS





www.gillathletics.com
800-637-3090

NOTICE

The proper process for ordering sand pit covers for new construction is as follows:

1. Install the sand pit using Gill sand pit forms or forming your own. Wait for the concrete to set and all backfill operations to be completed.
2. Measure the sand pit and fill out the 730148 - Dim Cert field check worksheet.
3. Submit field check to Gill Athletics. We will then produce sand pit covers to fit the dimensions provided.

This process ensures that covers will fit despite any manufacturing or installation variation.

WARNING

Although the option exists to order covers with your sand pit forms, it is strongly recommended that you first install the sand pits so that precise dimensional measurements may be submitted before covers are built.

If the option to ship covers with sand pit forms is taken, you as the owner/installer will bear all the responsibility for any problems with cover fit.

To order covers prior to the sand pit being installed, you have the following options:

- If forming your own sand pit, submit a field check work sheet noting the size of the sand pit you plan to make
- If using a Gill sand pit form, order the corresponding cover, sized specifically to fit the Gill sand pit form you are using.



www.gillathletics.com
800-637-3090

SAND PIT FORMS INSTRUCTIONS

Recommended Tool List:

- 7/16" wrenches and driver
- 5/16" driver
- Level(s)
- Rubber mallet
- Drill/bit driver
- Tape measure
- Clamps
- String
- Spray paint

Additional Materials:

- Duct tape
- Patio bricks or concrete blocks for form leveling
- Mortar for leveling bricks

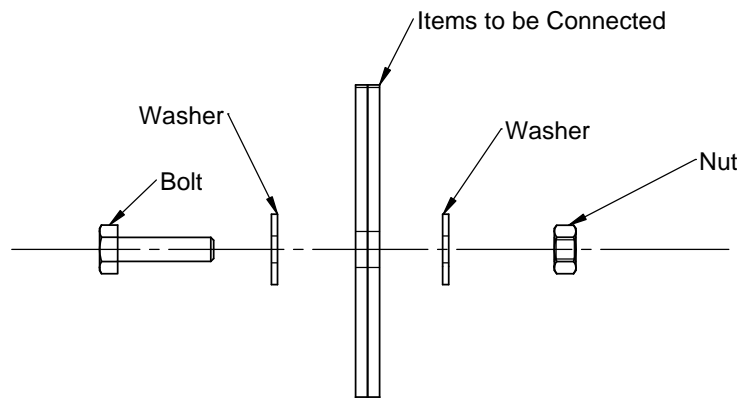
NOTE: This is NOT meant to be an exhaustive list of tools for the installation of this product.

When assembling the sand pit forms there will be two types of connections; bolted connections and self-drilling screw connections.

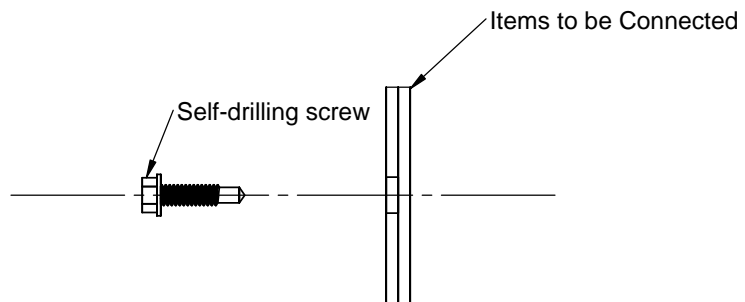
- Bolted connections consist of: one (1) 1/4"-20 x 1" long bolt, two (2) 1/4" flat washers, and one (1) 1/4"-20 hex nut.
- Self-drilling screw connections consist of: one (1) self drilling screw

Examples of each connection are shown below.

**Typical Bolted
Connection**



**Typical Self-drilling
Screw Connection**





www.gillathletics.com
800-637-3090

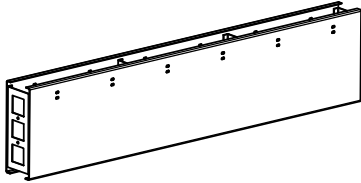
SAND PIT FORMS INSTRUCTIONS

DURING INSTALLATION YOU MAY USE:

PICTURE

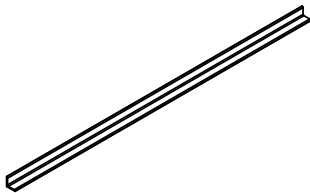
DESCRIPTION

VARIATIONS



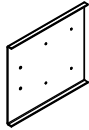
Base Form

36" Long
58" Long
72" Long



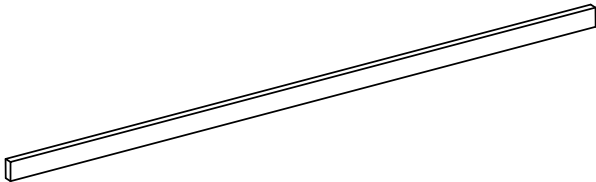
Ledge Angle

Hole Spacing	Length
12"	24"
12"	35.75"
12"	60"
12"	72"
14.5"	28.75"
14.5"	58"



Endplate

18" Long



2x4 Form Brace

18.5" Long
116" Long



Corner Angle

-



www.gillathletics.com
800-637-3090

SAND PIT FORMS INSTRUCTIONS

IT IS IMPORTANT TO READ ALL INSTRUCTIONS BEFORE BEGINNING INSTALLATION

NOTICE: All installations should be conducted by experienced contractors and in accordance with all applicable codes, laws, and regulations. Suggested instructions herein are illustrative only and should be adapted to suit local requirements. Gill Athletics is not responsible for the manner in which this product is installed.

- The installer/contractor must locate the sand pit form in accordance with plans and specifications. It is recommended that an area be prepared to accept the dimensions of the form. The recommended minimum dimensions for the excavation are given for each model in Table 1.
- **The installed form must be level and square and correctly positioned with respect to the track layout.**
- The inside wall of the assembled forms will define the landing area of the sand pit. Locate where the joints and corners of the forms will be positioned and mark the subgrade with spray paint at these positions. See attached appendices for the dimension of the specific model being installed.
- **The sand pit forms should be installed on a level surface.** It is up to the installer/contractor on how to achieve this. Options include but are not limited to:
 - Poured concrete pad
 - Graded and compacted subgrade
 - Shims
 - Brick/block in mortar
- If set on crushed rock/gravel/sand the same final height must be obtained and the form must be level and square.
- Track surface will be applied to the top of the sand pit forms. Refer to the architectural plans for surface elevation, finish, and thickness. It is the responsibility of the installer/contractor to install the forms at the correct depth as to maintain the correct surface elevation.

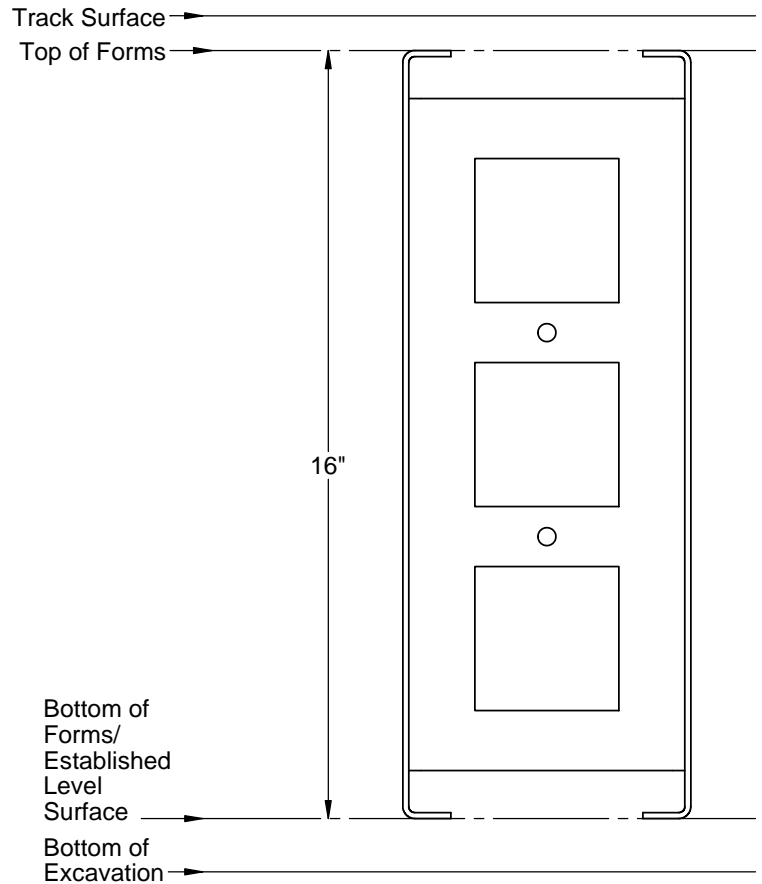


Table 1 - Minimum Pit Excavation Dimensions

Model	Length	Width	Depth
F42023	26'-2"	12'-8"	18"
F42026	29'-2"		
F42029	32'-2"		



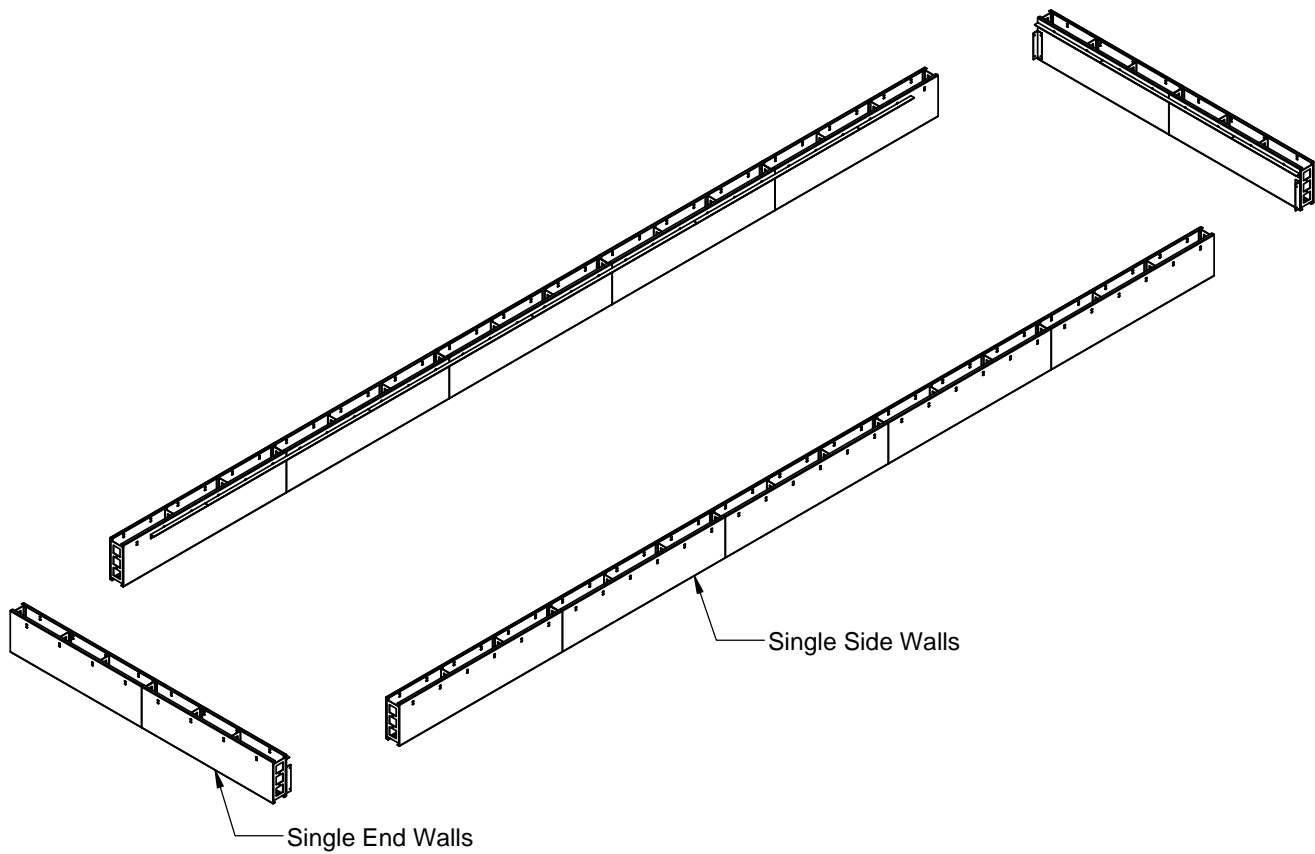
www.gillathletics.com
800-637-3090

SAND PIT FORMS INSTRUCTIONS

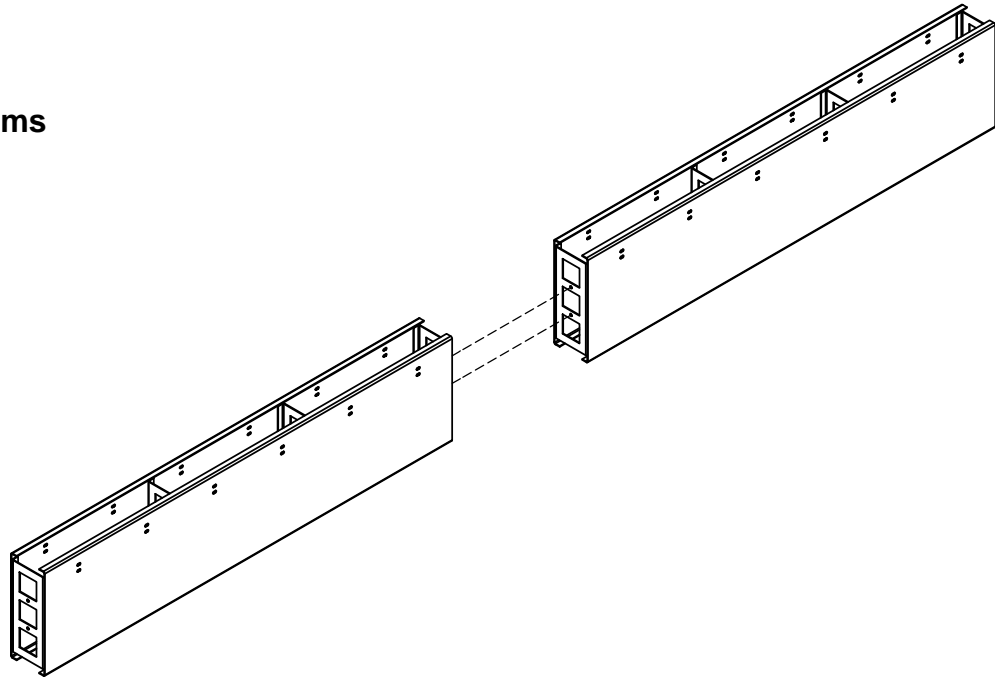
Before getting started, look in the appendices for the overview sheet on the specific model being installed. Familiarize yourself with where the joints are and how the forms will be positioned with respect to each other. In the following pages, the forms will be assembled into end wall and side wall sections. These separate wall sections will then be combined with endplates (Note: in the views below the endplates have been hidden).

An example is shown below:

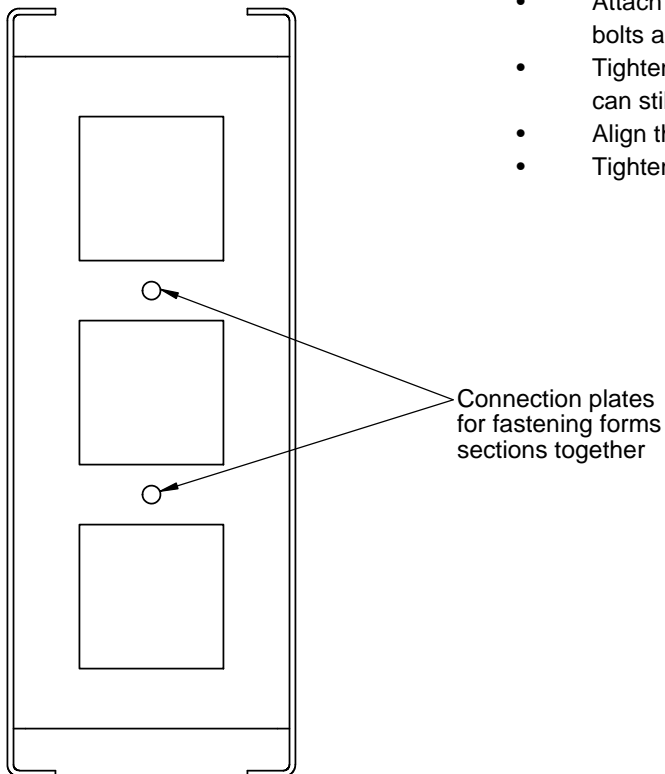
420 Series



Assemble Base Forms

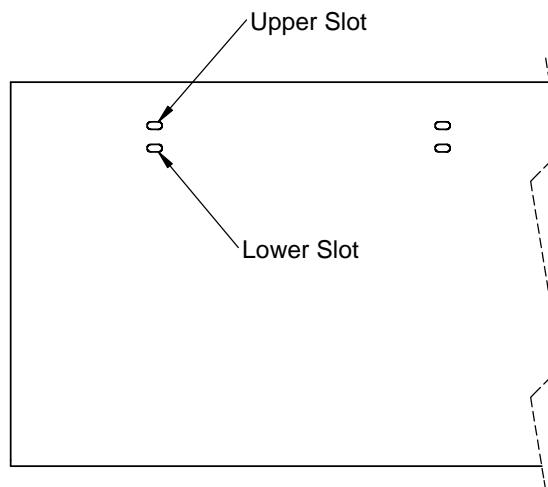
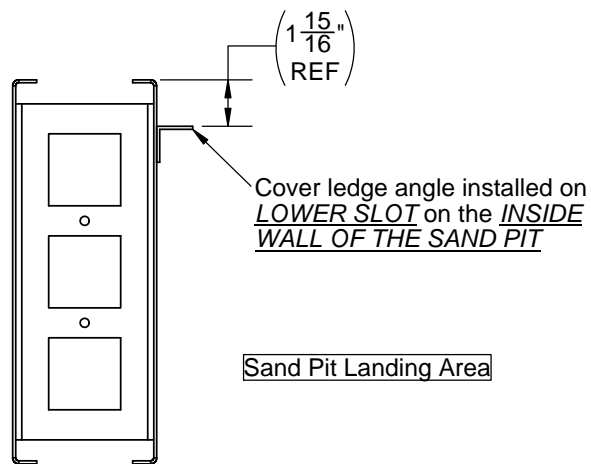
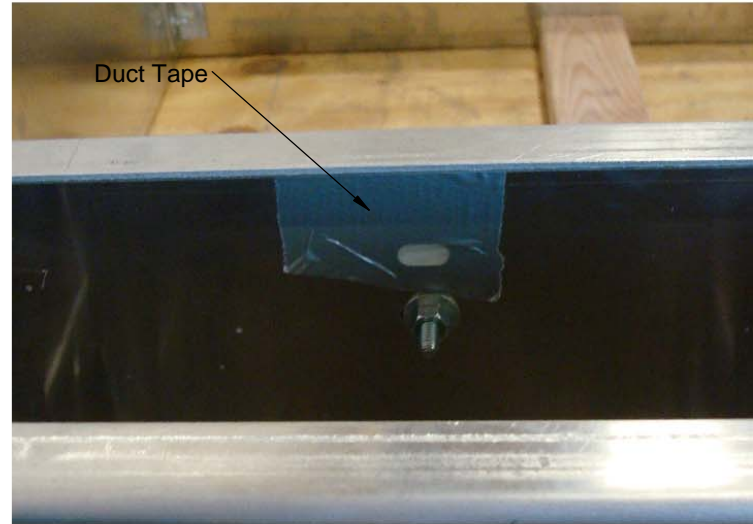


- Align the two base forms to be connected.
- Attach the base forms together through the connection plates using bolts and washers.
- Tighten the bolts to the point where the forms will stay in place but can still be repositioned with respect to each other.
- Align the forms such that the top ledges and the sides are flush.
- Tighten the bolts fully.



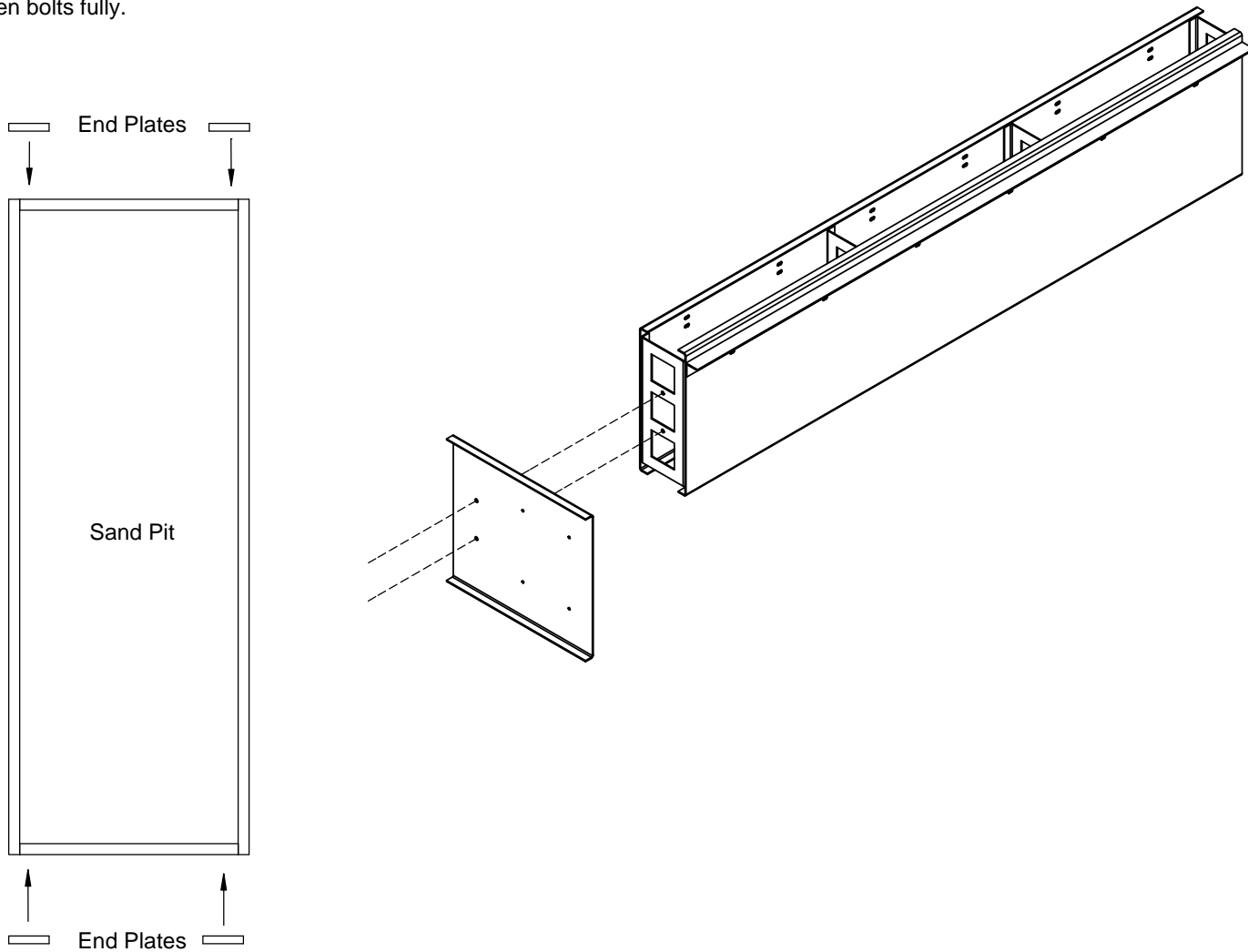
Attach Ledge Angles

- Refer to the overview sheet for the specific model being installed.
- The overview sheet will specify the size of angles needed and their placement for each specific model.
- The angles will be staggered across form to form joints.
- The angles will be installed on the inside wall of the sand pit in the lower slot of the base form.
- Any unused slots on the base forms will need to be covered with duct tape on the inside of the base form (pictured) before concrete is poured.



Attach Endplates

- Align the end plate with the end of the form(s) to be connected.
- Attach the base forms to the end plate using bolts and washers through the connection plate and the holes in the end plate.
- Tighten the bolts to the point where the form and end plate can still be repositioned with respect to each other.
- Align the end plate such that the top is flush with the top of the forms and the edge is flush with the side of the forms.
- Tighten bolts fully.



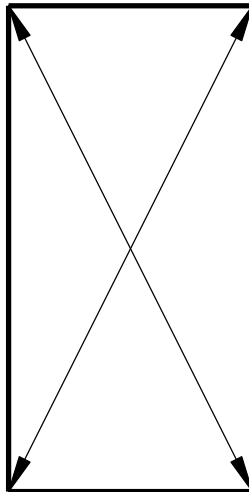


www.gillathletics.com
800-637-3090

Check for Square

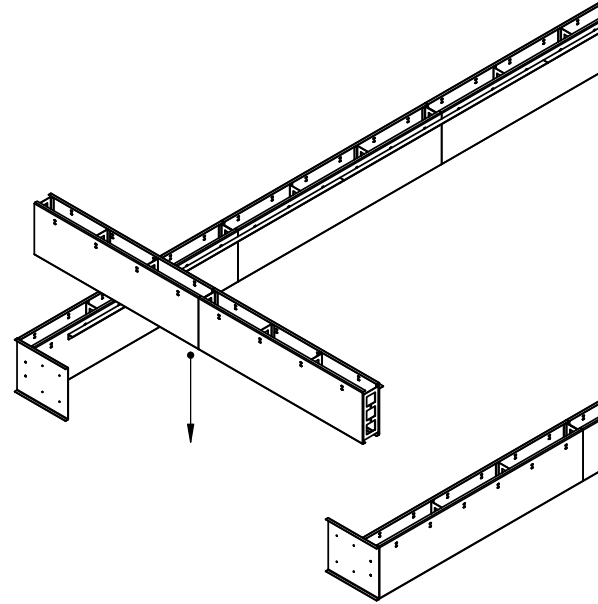
- Check the to make sure the wall assembly is square by measuring the distance between opposite corners of the sand catcher.
- Check to make sure that both sides of the assembly are level and flush.

To check square:
Diagonal lines must be
equal in length

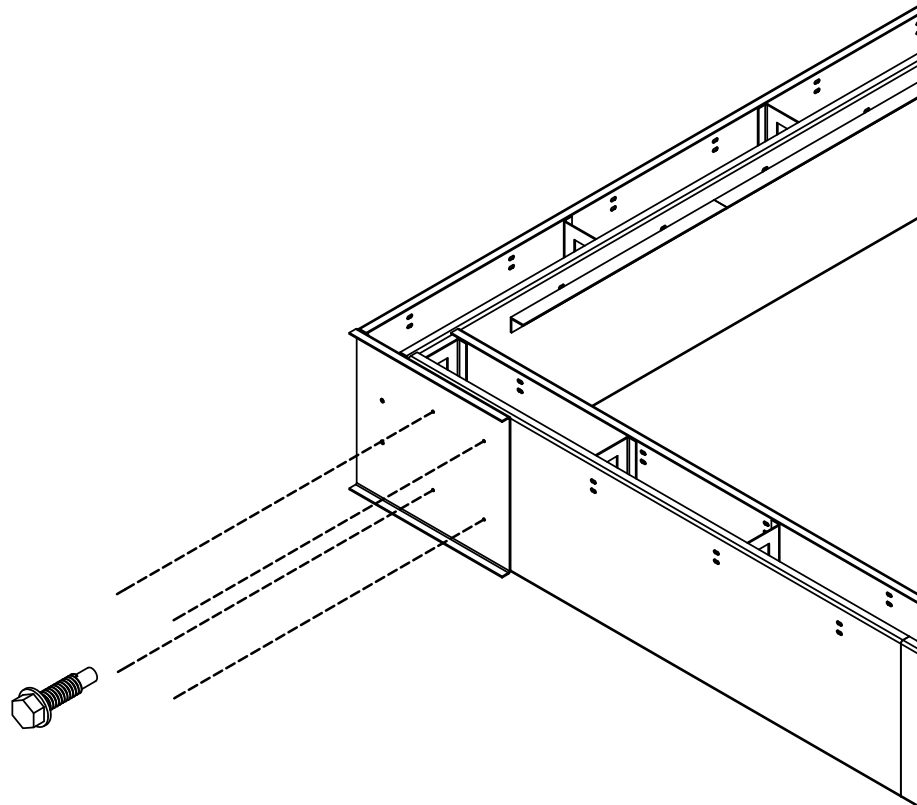


Attach End Wall Assemblies

- Position the end wall assemblies inside the end plates of the side wall assemblies.
- Ensure that all the wall assemblies are level with each other and at the right elevation according to the architectural plans.
- Check the to make sure the wall assemblies are square by measuring the distance between opposite corners of the sand pit.
- Once the assembly is determined to be square and level, use self-drilling screws to attach the end plate to the end wall base forms through the holes in the end plate.

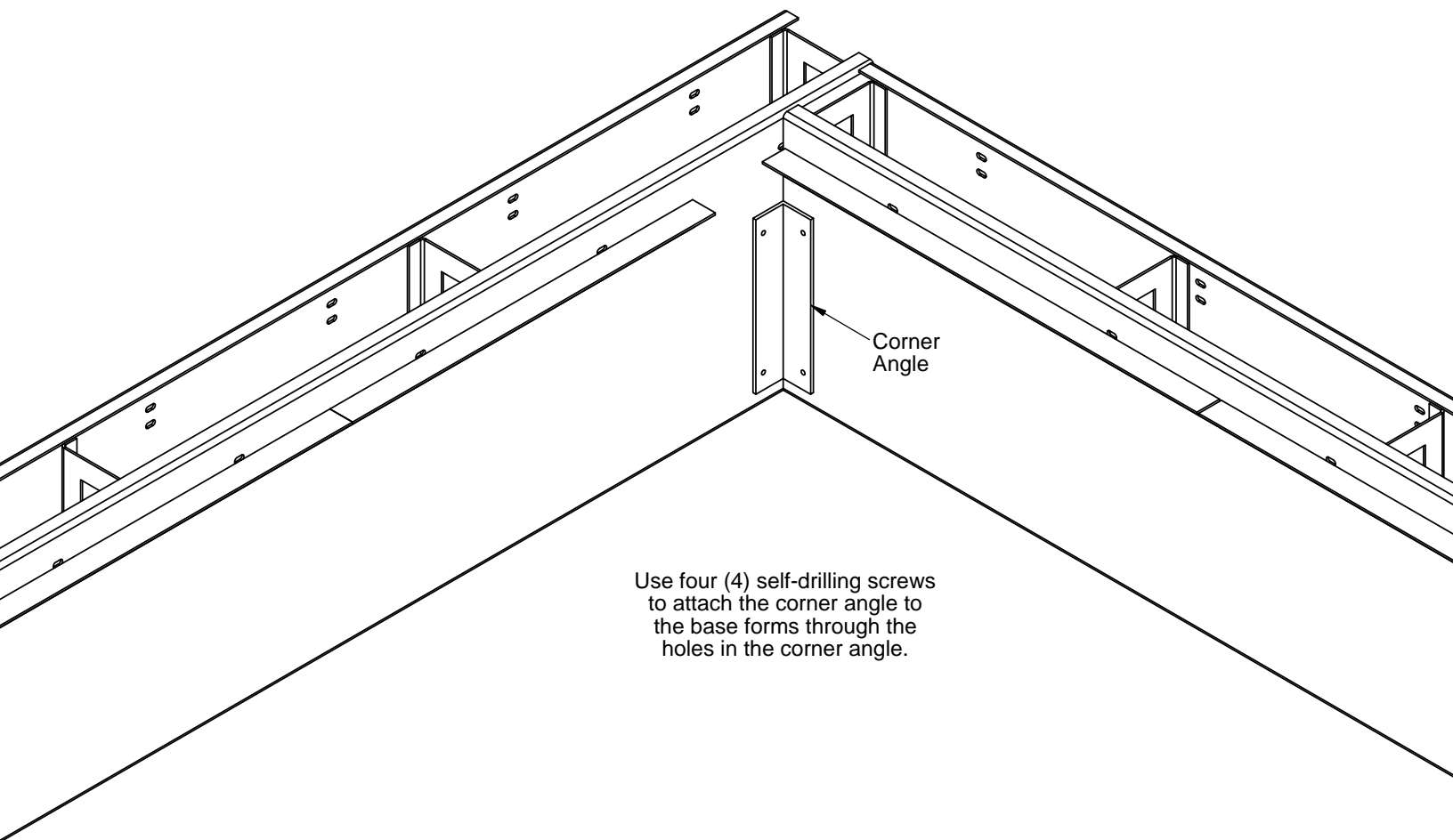


Use four (4) self-drilling screws to attach the end plate to the end wall base forms through the holes in the end plate.



Attach Corner Angles

- Ensure that all the wall assemblies are level with each other and at the right elevation according to the architectural plans.
- Check the to make sure the wall assemblies are square by measuring the distance between opposite corners of the sand pit.
- The corner angles will be attached in the interior corners of the sand pit.
- Once the assembly is determined to be square and level, use self-drilling screws to attach the angles to the base forms through the holes in the corner angle. The corner angles should be installed such that they do not interfere with the ledge angles.



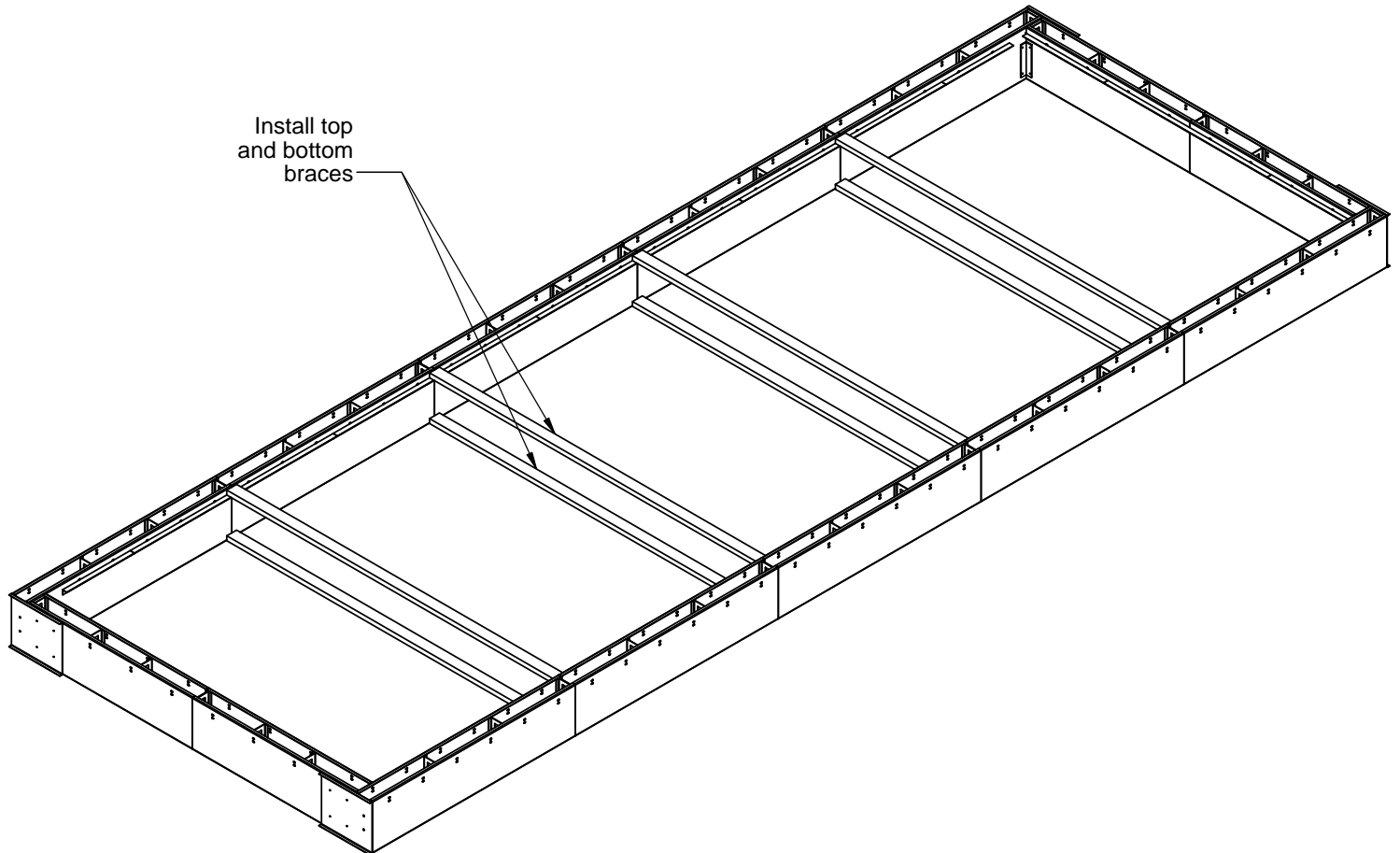


www.gillathletics.com
800-637-3090

SAND PIT FORMS INSTRUCTIONS

Install Wooden Form Bracing

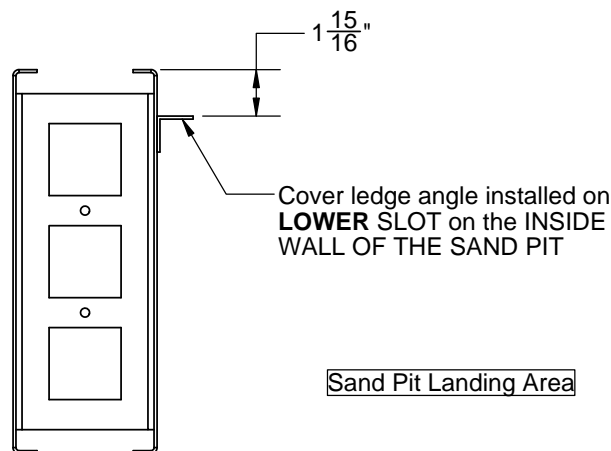
- Wooden bracing is provided to help prevent shifting and movement of the forms during the concrete pour, curing, and back-fill operations
- Place the bracing 2x4 at the bottom of the forms and on top of the ledge angles at the joints in the base forms.





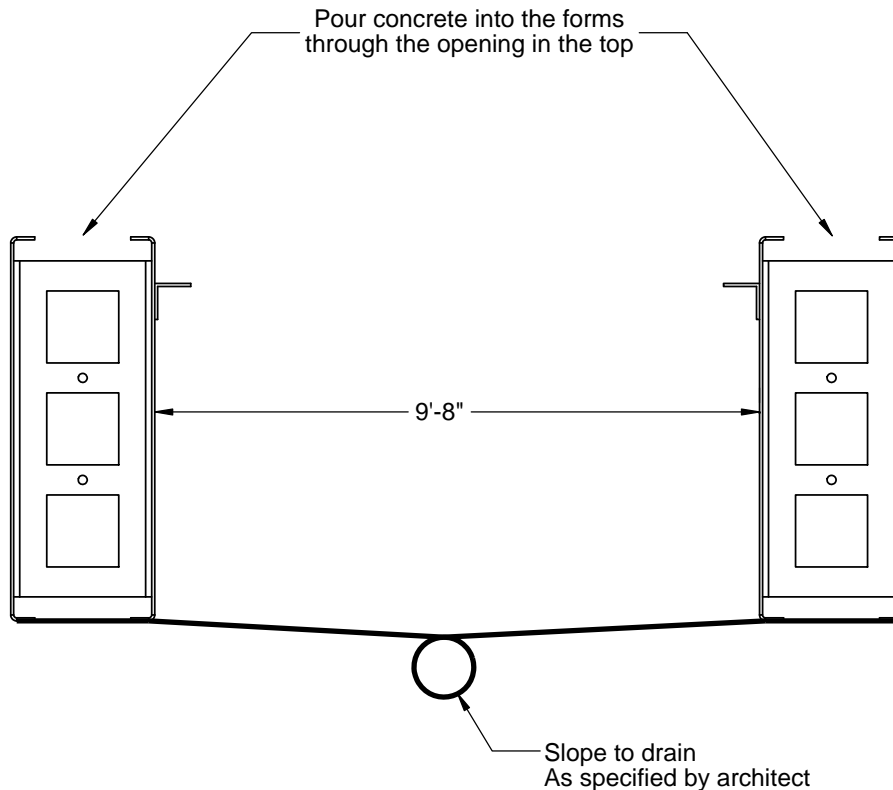
BEFORE POURING CONCRETE CHECK THE FOLLOWING ITEMS:

- Check that all bolts are tight.
- Check that the sand pit forms are square.
- Check that the sand pit forms are level.
- Check that the sand pit forms are placed according to the architectural plans and specifications.
- Check that all un-used slots have duct tape covering them inside the forms.
- Check the depth of the ledge angles:
 - Sand pit ledge angles should be installed in the **LOWER** slots on the base form and be 1-15/16" below top of the base forms.



Pour Concrete

- **Before and during the concrete pour, check the pit dimensions to make sure no shifting has occurred.**
- Pour concrete into the forms through the opening at the top.
- Smooth the concrete off at the top of the forms and then cover with plastic or apply a wax film over all exposed concrete to minimize water loss.
- **Allow the concrete to set hard before proceeding further.**
- Keep the wooden bracing in place while concrete is curing and during back-fill operations.
- Using the specified or appropriate fill material, back-fill and compact around the outside of the sand pit forms.
- It is recommended that at this time the specified fill material inside the pit, i.e. crushed stone, filter fabric, pit sand, etc. also be installed. This will help further stabilize the sand pit walls against movement.





www.gillathletics.com
800-637-3090

APPENDICES

These overview sheets are attached to help clarify the location and size of base forms and ledge angles.

There is an overview sheet for each specific model.

F42023 - Sand Pit Form with Ledge for Sand Pit Cover - 23' Long

F42026 - Sand Pit Form with Ledge for Sand Pit Cover - 26' Long

F42029 - Sand Pit Form with Ledge for Sand Pit Cover - 29' Long



www.gillathletics.com
800-637-3090

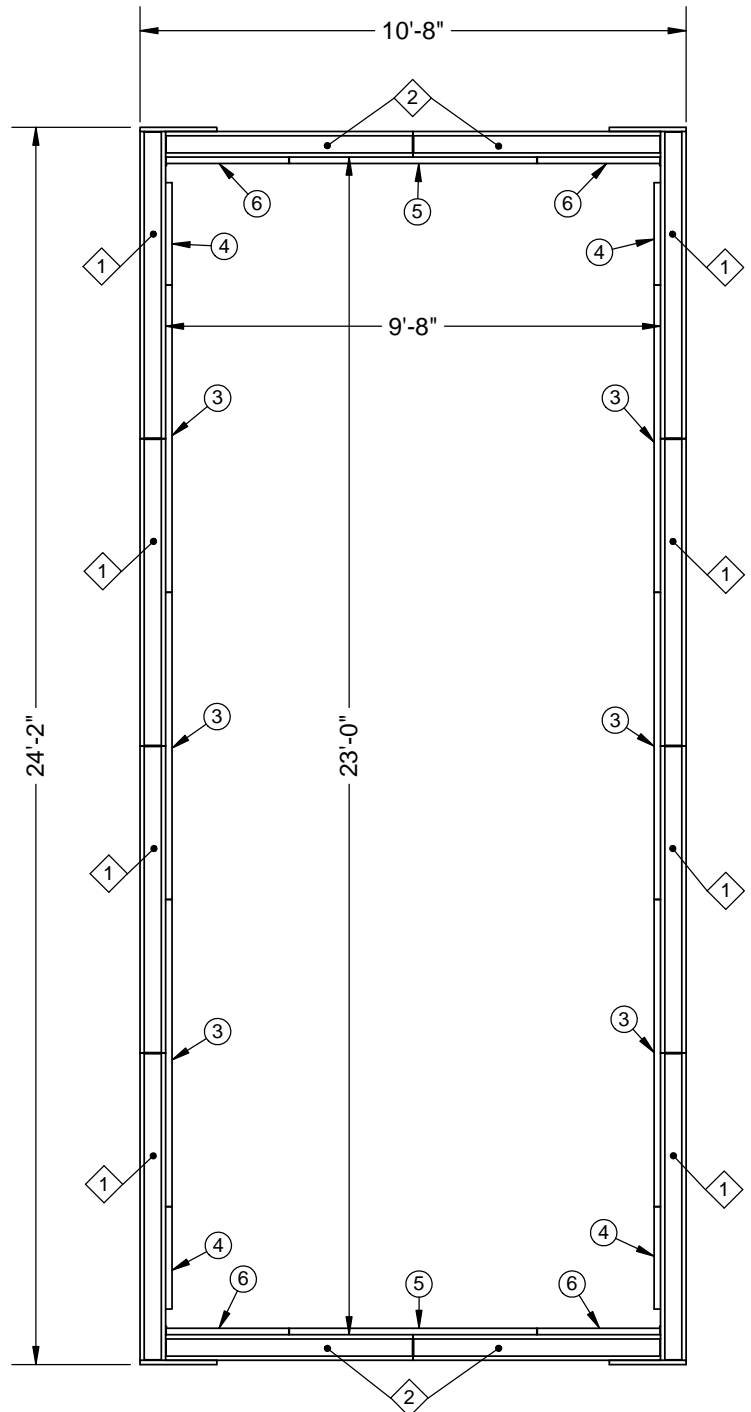
F42023 - SAND PIT FORM with LEDGE OVERVIEW

This drawing represents how the base form sections and angles should be positioned. Other components and details may be omitted.

ITEM NO.	PART NUMBER	DESCRIPTION	QTY.
1	F44089	72" SAND PIT BASE FORM	8
2	F44088	58" SAND PIT BASE FORM	4
3	F44086	72" SLOTTED LEDGE ANGLE	6
4	F44081	24" SLOTTED LEDGE ANGLE	4
5	F44084	58" SLOTTED LEDGE ANGLE	2
6	F44082	28.75" SLOTTED LEDGE ANGLE	4

Base forms are called out with diamonds.

Angles are called out with circles.





www.gillathletics.com
800-637-3090

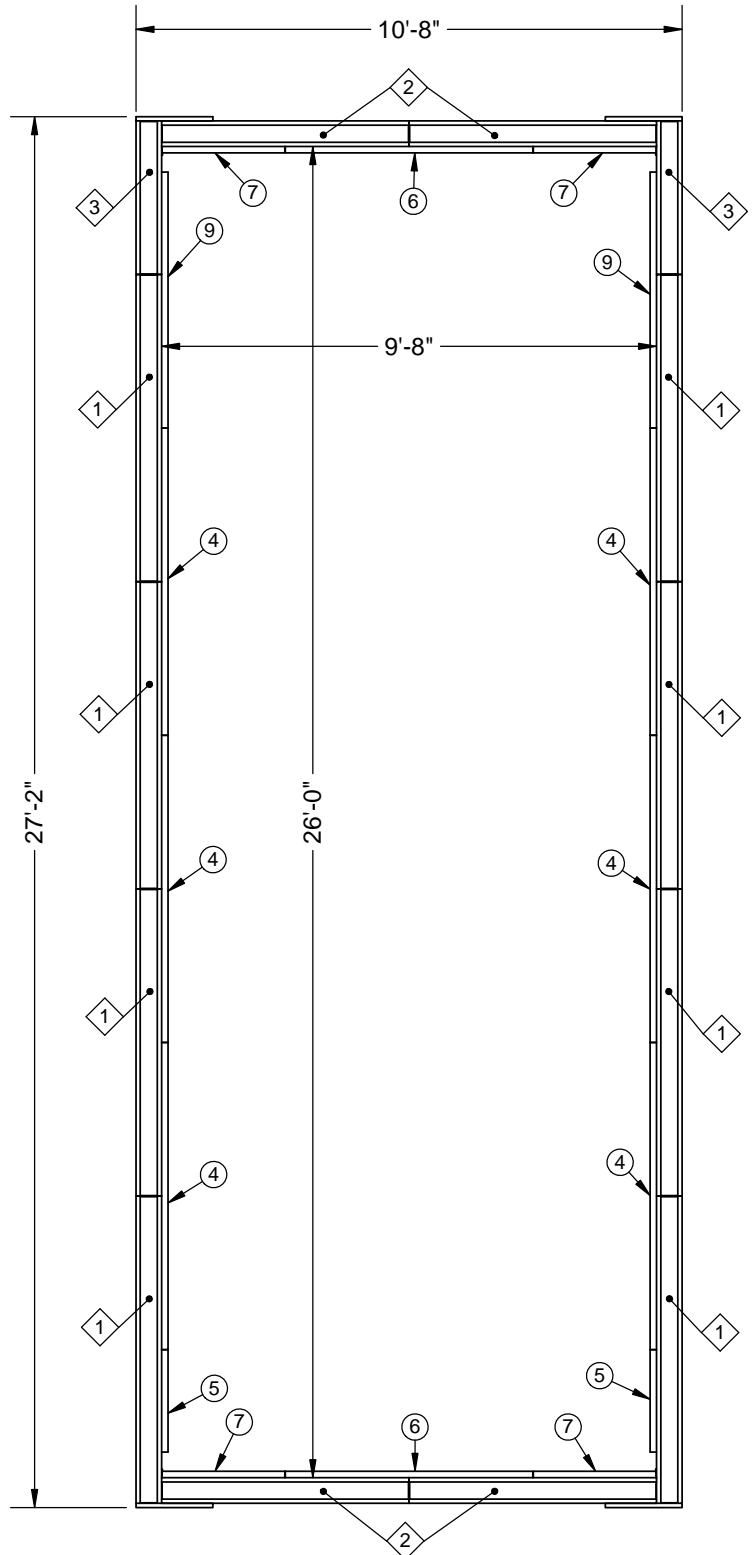
F42026 - SAND PIT FORM with LEDGE OVERVIEW

This drawing represents how the base form sections and angles should be positioned. Other components and details may be omitted.

ITEM NO.	PART NUMBER	DESCRIPTION	QTY.
1	F44089	72" SAND PIT BASE FORM	8
2	F44088	58" SAND PIT BASE FORM	4
3	F44087	36" SAND PIT BASE FORM	2
4	F44086	72" SLOTTED LEDGE ANGLE	6
5	F44081	24" SLOTTED LEDGE ANGLE	2
6	F44084	58" SLOTTED LEDGE ANGLE	2
7	F44082	28.75" SLOTTED LEDGE ANGLE	4
9	F44085	60" SLOTTED LEDGE ANGLE	2

Base forms are called out with diamonds.

Angles are called out with circles.





www.gillathletics.com
800-637-3090

F42029 - SAND PIT FORM with LEDGE OVERVIEW

This drawing represents how the base form sections and angles should be positioned. Other components and details may be omitted.

ITEM NO.	PART NUMBER	DESCRIPTION	QTY.
1	F44089	72" SAND PIT BASE FORM	10
2	F44088	58" SAND PIT BASE FORM	4
3	F44086	72" SLOTTED LEDGE ANGLE	8
4	F44081	24" SLOTTED LEDGE ANGLE	4
5	F44084	58" SLOTTED LEDGE ANGLE	2
6	F44082	28.75" SLOTTED LEDGE ANGLE	4

Base forms are called out with diamonds.

Angles are called out with circles.

