



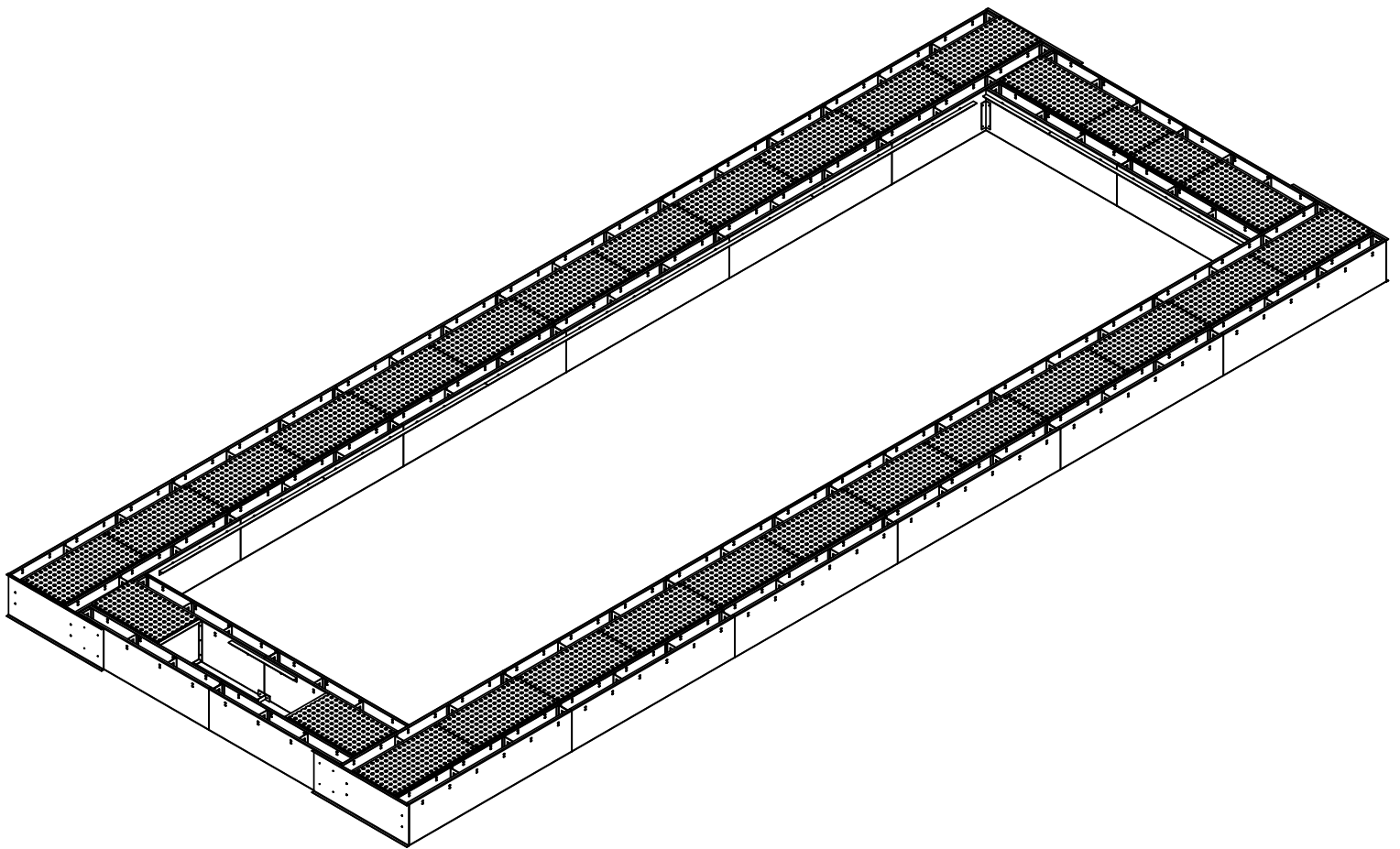
www.gillathletics.com  
800-637-3090

SAND PIT FORMS  
INSTRUCTIONS

# GILL SAND PIT FORMS

## F442 & F462 SERIES

### FORMS WITH CATCHERS ON 4 SIDES





www.gillathletics.com  
800-637-3090

# NOTICE

**The proper process for ordering sand pit covers for new construction is as follows:**

1. Install the sand pit using Gill sand pit forms or forming your own. Wait for the concrete to set and all backfill operations to be completed.
2. Measure the sand pit and fill out the 730148 - Dim Cert field check worksheet.
3. Submit field check to Gill Athletics. We will then produce sand pit covers to fit the dimensions provided.

This process ensures that covers will fit despite any manufacturing or installation variation.

# WARNING

**Although the option exists to order covers with your sand pit forms, it is strongly recommended that you first install the sand pits so that precise dimensional measurements may be submitted before covers are built.**

**If the option to ship covers with sand pit forms is taken, you as the owner/installer will bear all the responsibility for any problems with cover fit.**

To order covers prior to the sand pit being installed, you have the following options:

- If forming your own sand pit, submit a field check work sheet noting the size of the sand pit you plan to make
- If using a Gill sand pit form, order the corresponding cover, sized specifically to fit the Gill sand pit form you are using.



www.gillathletics.com  
800-637-3090

## SAND PIT FORMS INSTRUCTIONS

### Recommended Tool List:

- 7/16" wrenches and driver
- 5/16" driver
- Level(s)
- Rubber mallet
- Drill/bit driver
- Tape measure
- Clamps
- String
- Spray paint

### Additional Materials:

- Duct tape
- Patio bricks or concrete blocks for form leveling
- Mortar for leveling bricks

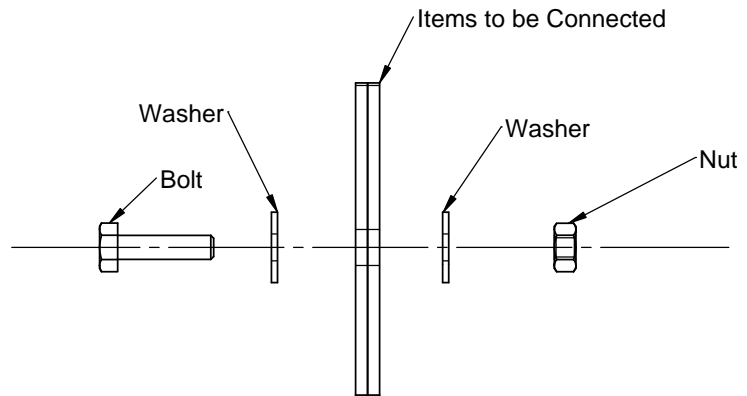
NOTE: This is NOT meant to be an exhaustive list of tools for the installation of this product.

When assembling the sand pit forms there will be two types of connections; bolted connections and self-drilling screw connections.

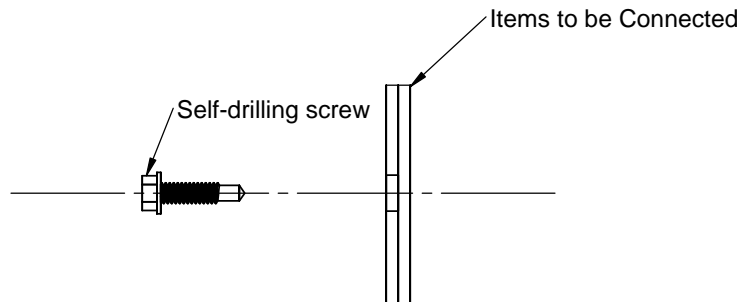
- Bolted connections consist of: one (1) 1/4"-20 x 1" long bolt, two (2) 1/4" flat washers, and one (1) 1/4"-20 hex nut.
- Self-drilling screw connections consist of: one (1) self drilling screw

Examples of each connection are shown below.

**Typical Bolted  
Connection**



**Typical Self-drilling  
Screw Connection**





www.gillathletics.com  
800-637-3090

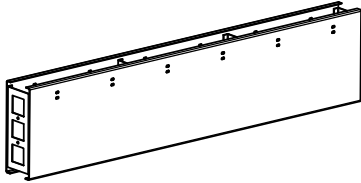
# SAND PIT FORMS INSTRUCTIONS

## DURING INSTALLATION YOU MAY USE:

**PICTURE**

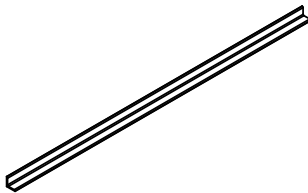
**DESCRIPTION**

**VARIATIONS**



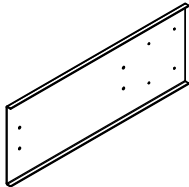
Base Form

36" Long  
58" Long  
72" Long



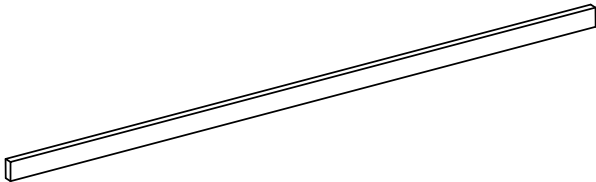
Ledge Angle

Hole Spacing	Length
12"	24"
12"	35.75"
12"	60"
12"	72"
14.5"	28.75"
14.5"	58"



Endplate

42" Long



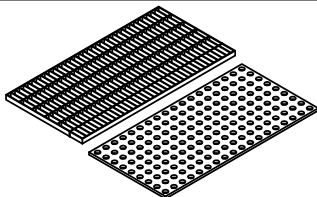
2x4 Form Brace

18.5" Long  
116" Long



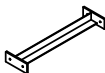
Corner Angle

-



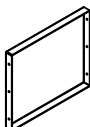
Sand Catcher Grate and Rubber

22" Long  
29" Long  
36" Long



Sand Catcher Brace

-



Sand Catcher Divider Plate

-



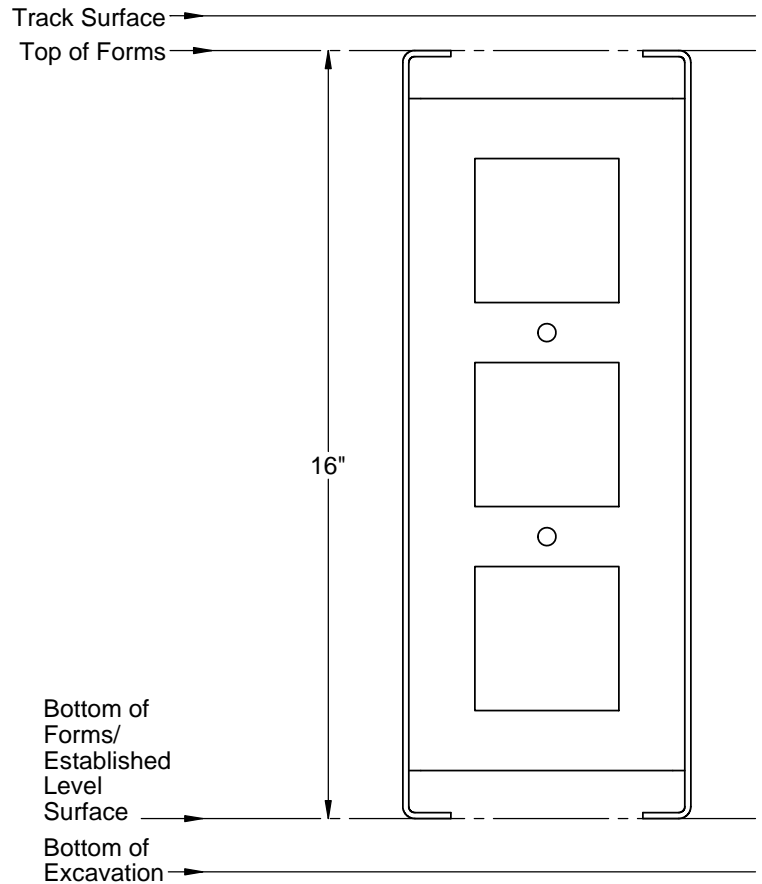
www.gillathletics.com  
800-637-3090

## SAND PIT FORMS INSTRUCTIONS

### IT IS IMPORTANT TO READ ALL INSTRUCTIONS BEFORE BEGINNING INSTALLATION

NOTICE: All installations should be conducted by experienced contractors and in accordance with all applicable codes, laws, and regulations. Suggested instructions herein are illustrative only and should be adapted to suit local requirements. Gill Athletics is not responsible for the manner in which this product is installed.

- The installer/contractor must locate the sand pit form in accordance with plans and specifications. It is recommended that an area be prepared to accept the dimensions of the form. The recommended minimum dimensions for the excavation are given for each model in Table 1.
- **The installed form must be level and square and correctly positioned with respect to the track layout.**
- The inside wall of the assembled forms will define the landing area of the sand pit. Locate where the joints and corners of the forms will be positioned and mark the subgrade with spray paint at these positions. See attached appendices for the dimension of the specific model being installed.
- **The sand pit forms should be installed on a level surface.** It is up to the installer/contractor on how to achieve this. Options include but are not limited to:
  - Poured concrete pad
  - Graded and compacted subgrade
  - Shims
  - Brick/block in mortar
- If set on crushed rock/gravel/sand the same final height must be obtained and the form must be level and square.
- Track surface will be applied to the top of the sand pit forms. Refer to the architectural plans for surface elevation, finish, and thickness. It is the responsibility of the installer/contractor to install the forms at the correct depth as to maintain the correct surface elevation.



**Table 1 - Minimum Pit Excavation Dimensions**

Model	Length	Width	Depth
F44225 or F46225	33'-2"	16'-9"	18"
F44228 or F46228	36'-2"		
F44231 or F46231	39'-2"		



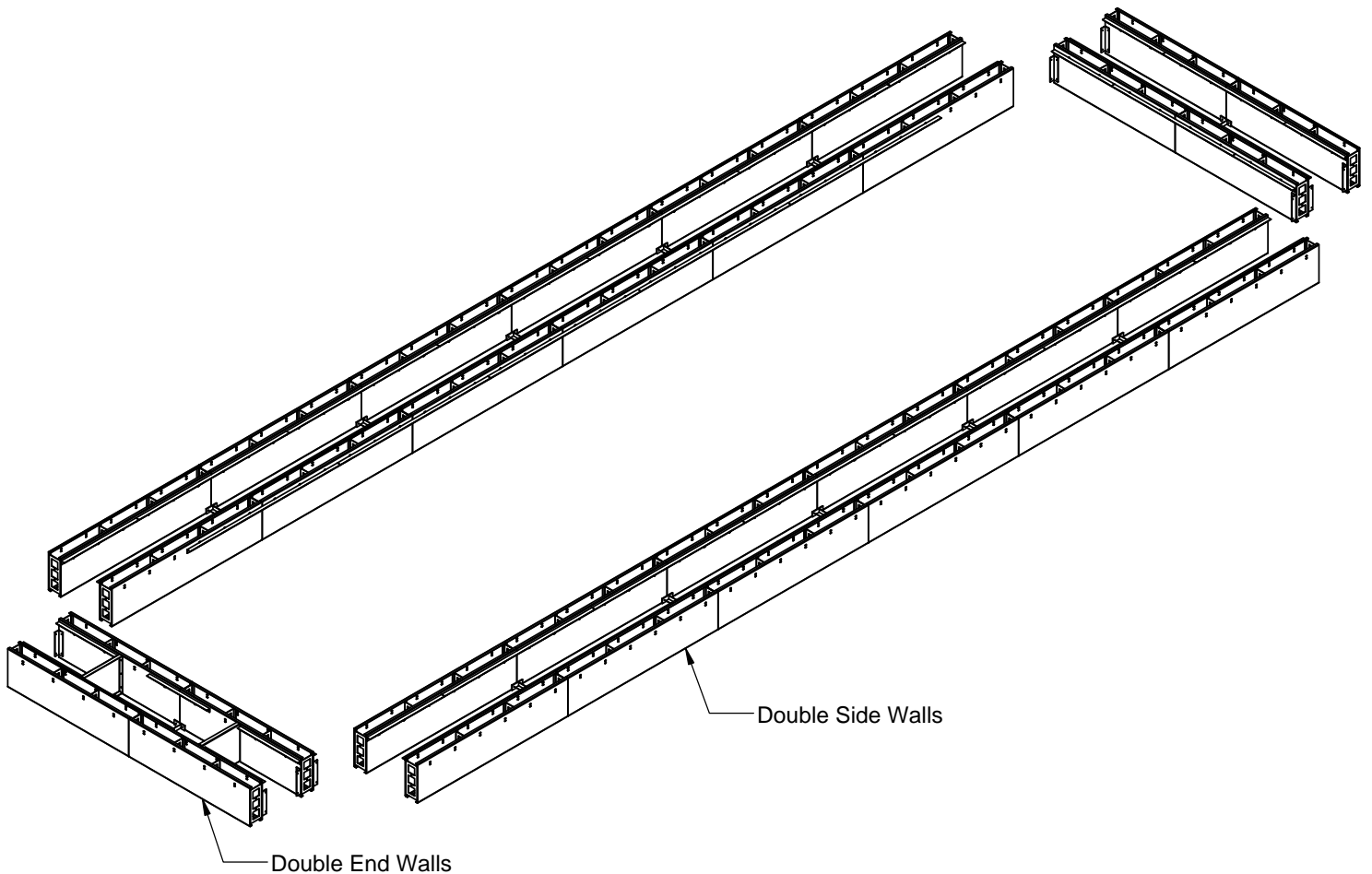
www.gillathletics.com  
800-637-3090

## SAND PIT FORMS INSTRUCTIONS

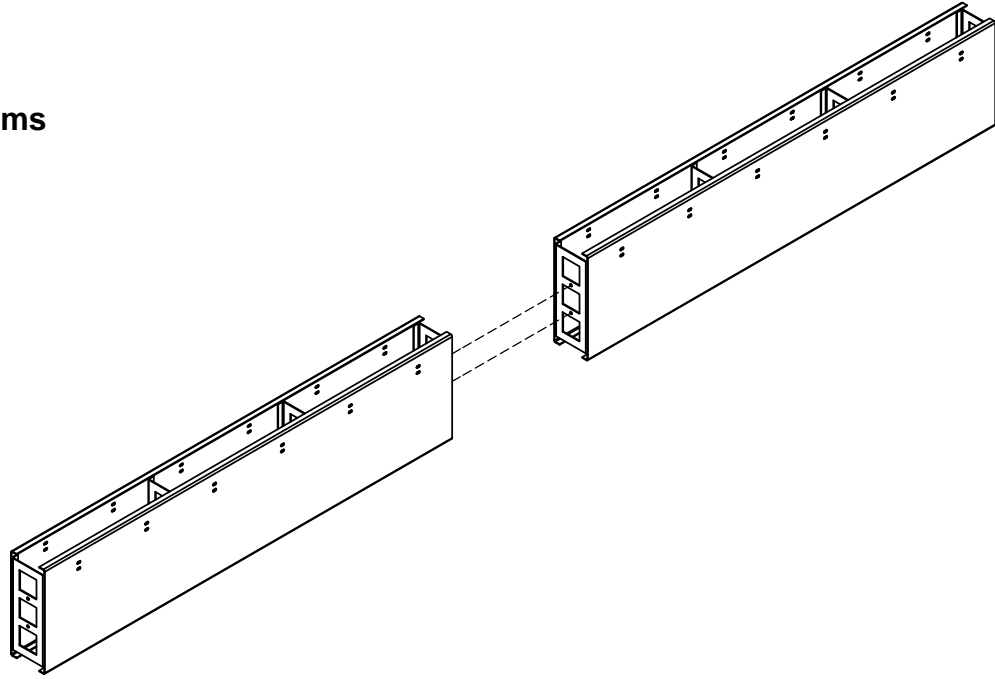
Before getting started, look in the appendices for the overview sheet on the specific model being installed. Familiarize yourself with where the joints are and how the forms will be positioned with respect to each other. In the following pages, the forms will be assembled into end wall and side wall sections. These separate wall sections will then be combined with endplates (Note: in the views below the endplates have been hidden).

An example is shown below:

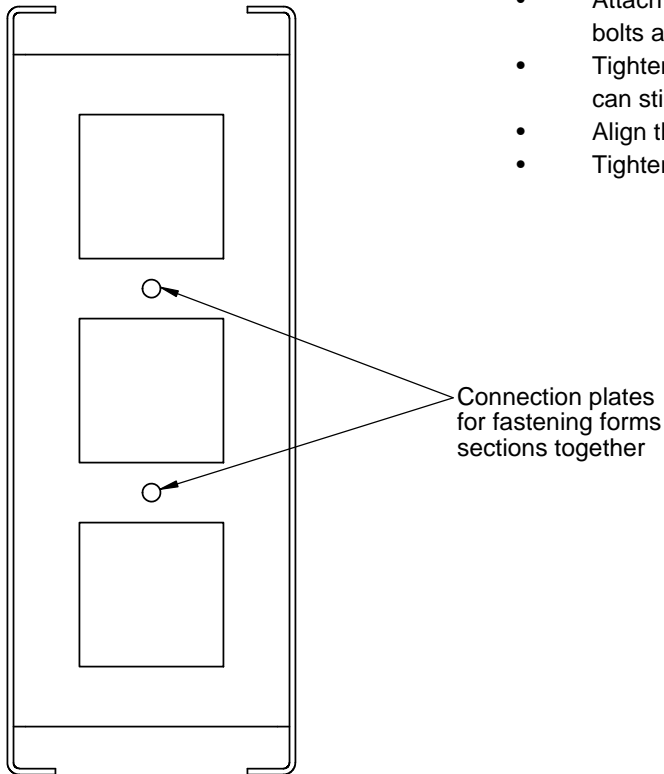
### F442 or F462 Series



### Assemble Base Forms

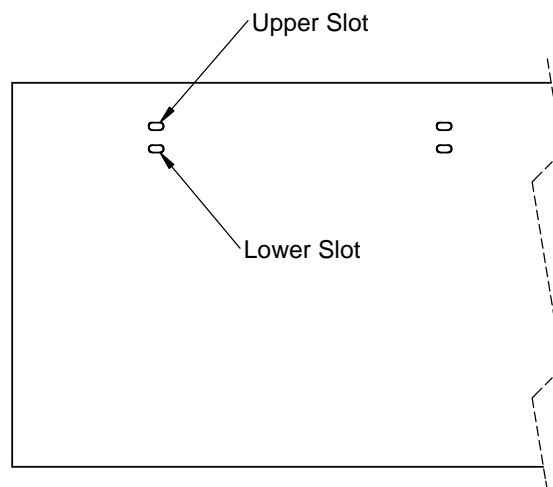
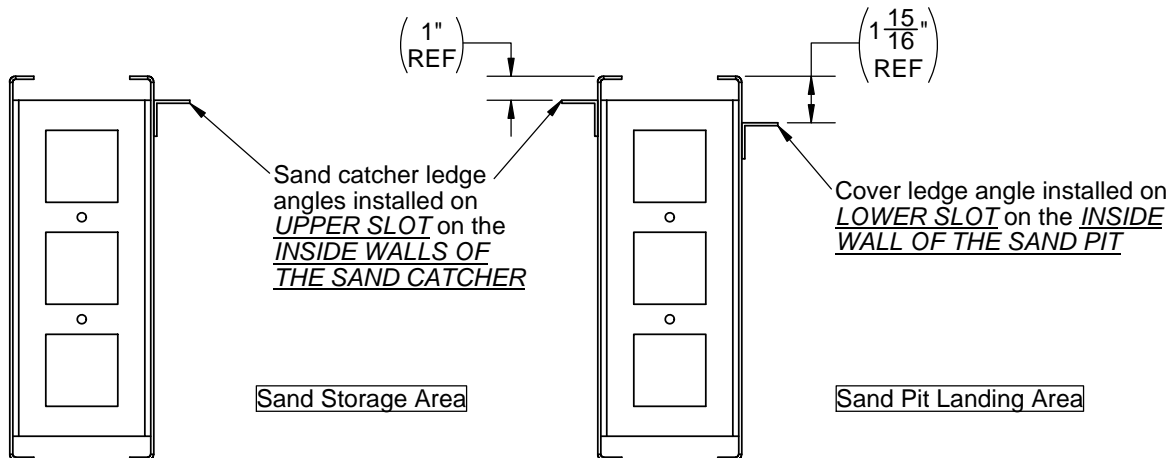
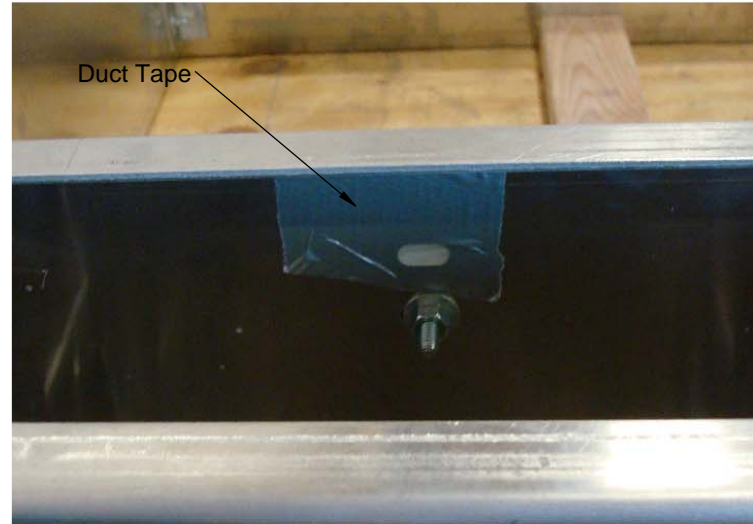


- Align the two base forms to be connected.
- Attach the base forms together through the connection plates using bolts and washers.
- Tighten the bolts to the point where the forms will stay in place but can still be repositioned with respect to each other.
- Align the forms such that the top ledges and the sides are flush.
- Tighten the bolts fully.



### Attach Ledge Angles

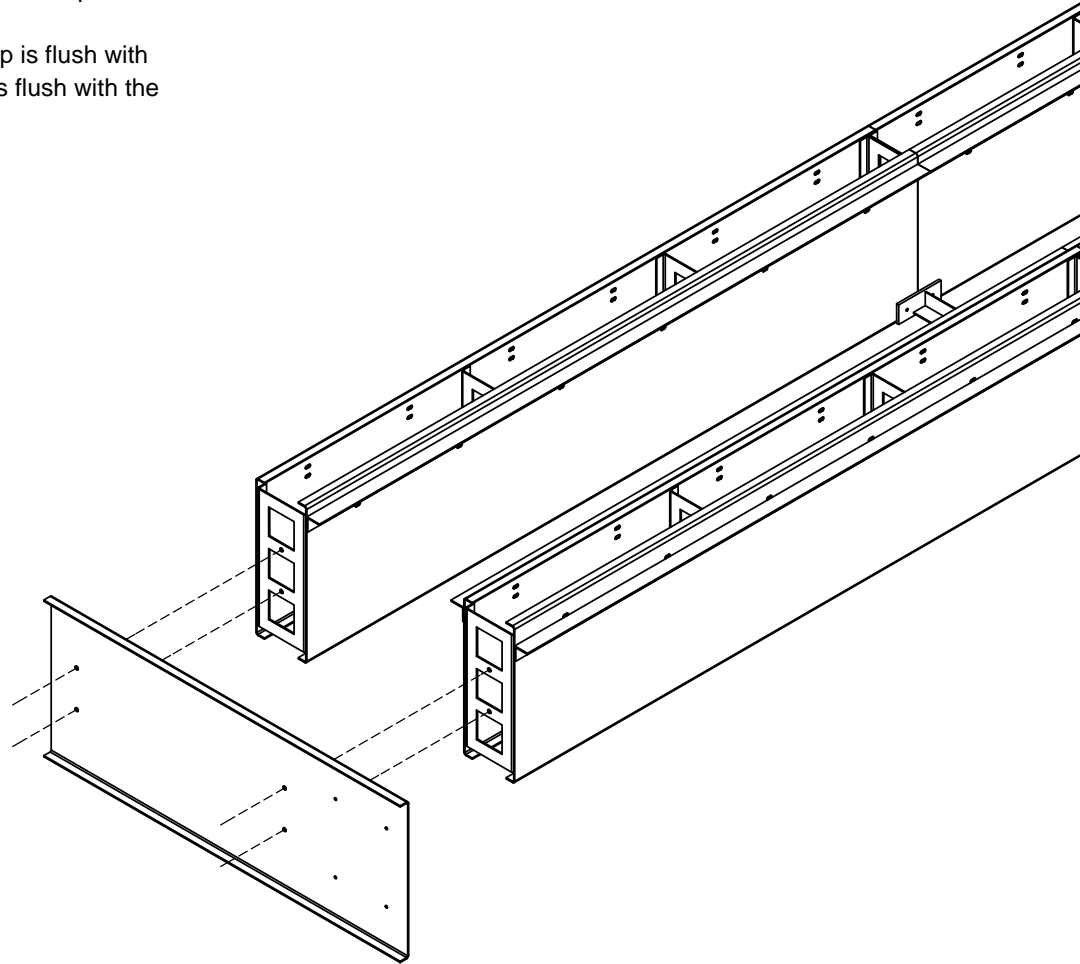
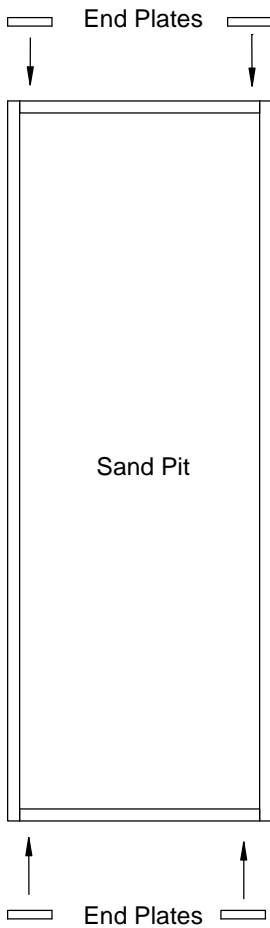
- Refer to the overview sheet for the specific model being installed.
- The overview sheet will specify the size of angles needed and their placement for each specific model.
- The angles will be staggered across form to form joints.
- The angles on the inside of the sand pit will be installed in the **lower** slots. The angles for the sand catcher will be installed in the **upper** slots
- Any unused slots on the base forms will need to be covered with duct tape on the inside of the base form (pictured) before concrete is poured.





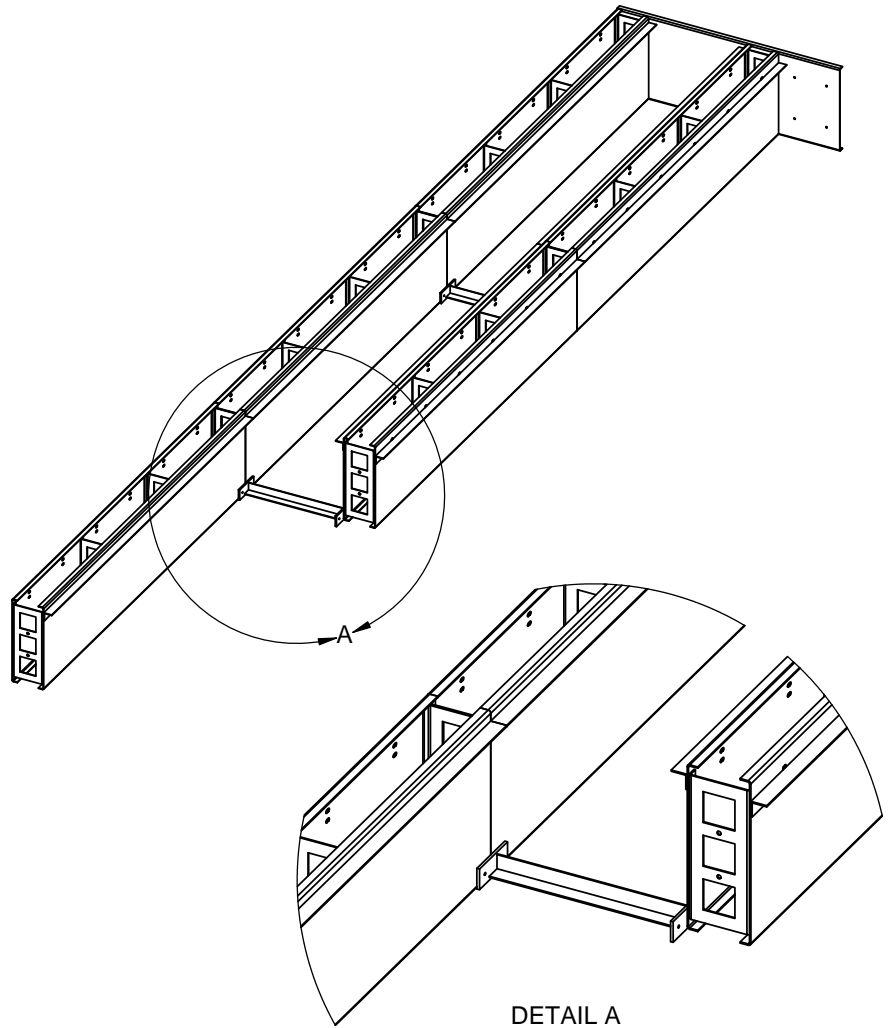
### Attach Endplates

- Align the end plate with the end of the form(s) to be connected.
- Attach the base forms to the end plate using bolts and washers through the connection plate and the holes in the end plate
- Tighten the bolts to the point where the form and end plate can still be repositioned with respect to each other.
- Align the end plate such that the top is flush with the top of the forms and the edge is flush with the side of the forms.
- Tighten bolts fully.

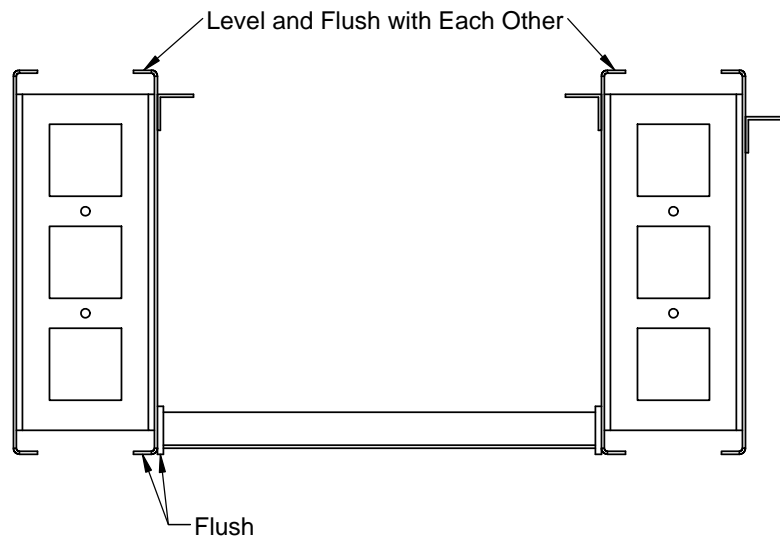
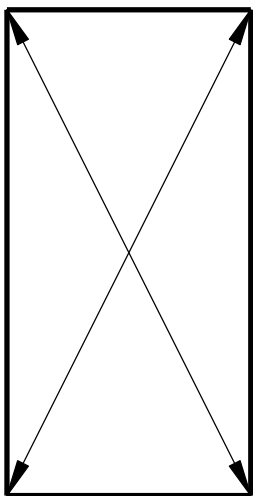


### Attach Sand Catcher Braces

- Check the to make sure the wall assembly is square by measuring the distance between opposite corners of the sand catcher.
- Check to make sure that both sides of the assembly are level and flush.
- The sand catcher braces will be attached at all the locations that two base forms are joined together.
- The sand catcher brace will straddle the joint between two forms sections as shown in Detail A.
- Once the assembly is determined to be square and level, use self-drilling screws to attach the sand catcher braces to the base forms through the holes in the brace end plate.
- If installing an F441 or F442 Series, the sand catcher braces will have to be installed for the front and/or back wall sections as well.

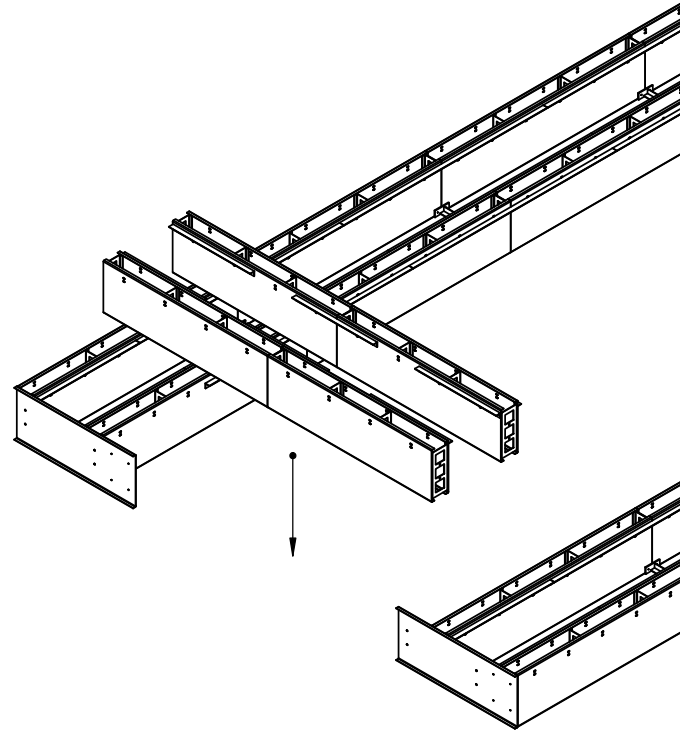


To check square:  
Diagonal lines must be  
equal in length

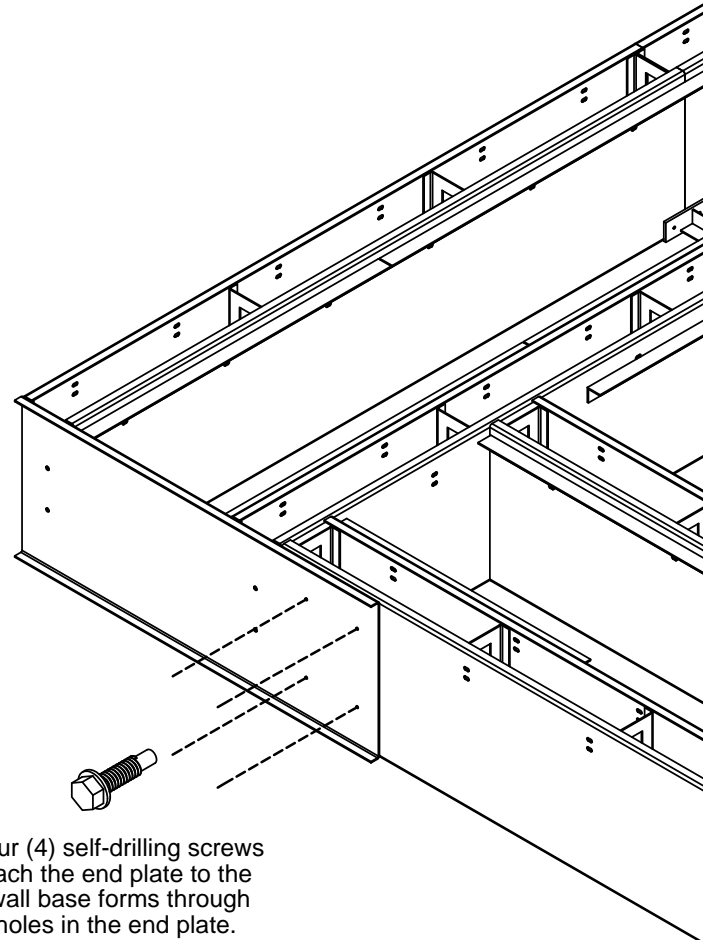
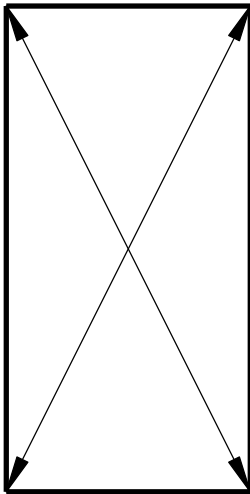


### Attach End Wall Assemblies

- Position the end wall assemblies inside the end plates of the side wall assemblies.
- Ensure that all the wall assemblies are level with each other and at the right elevation according to the architectural plans.
- Check the to make sure the wall assemblies are square by measuring the distance between opposite corners of the sand pit.
- Once the assembly is determined to be square and level, use self-drilling screws to attach the end plate to the end wall base forms through the holes in the end plate.



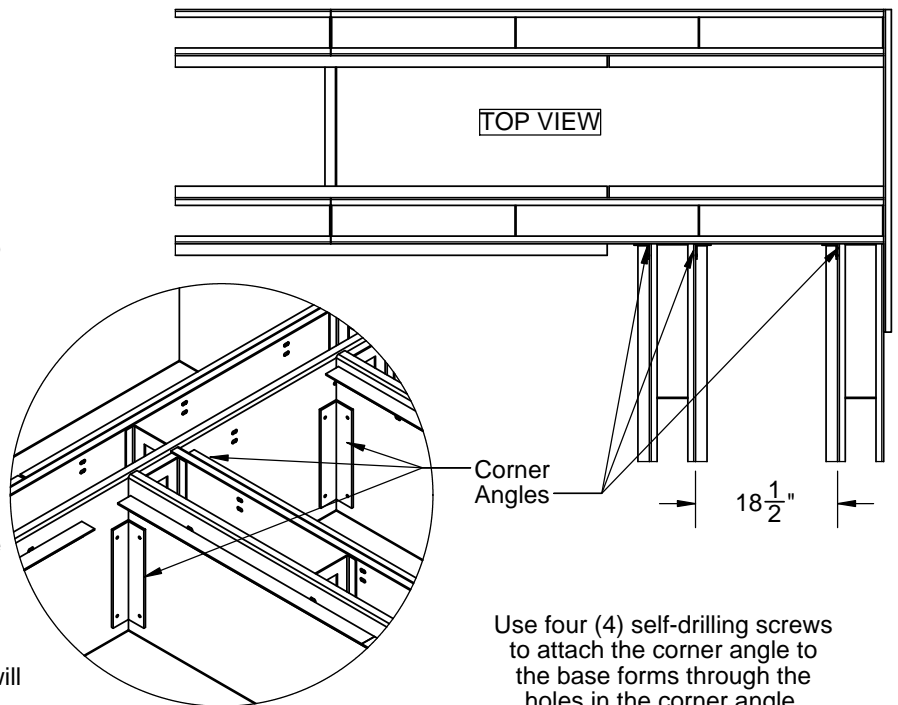
To check square:  
Diagonal lines must be  
equal in length



Use four (4) self-drilling screws  
to attach the end plate to the  
end wall base forms through  
the holes in the end plate.

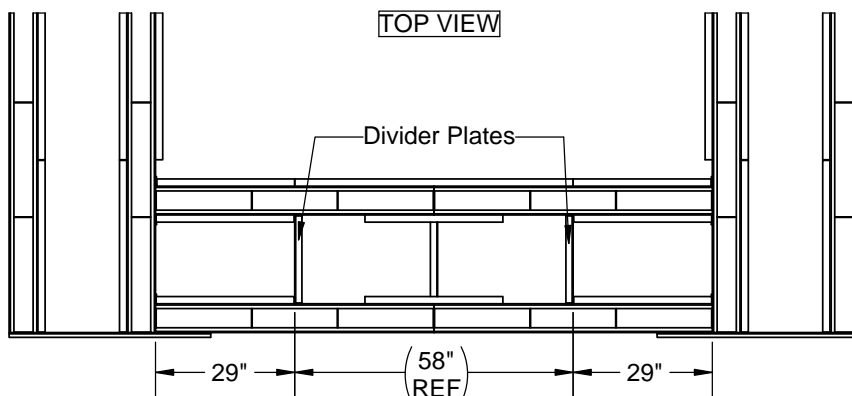
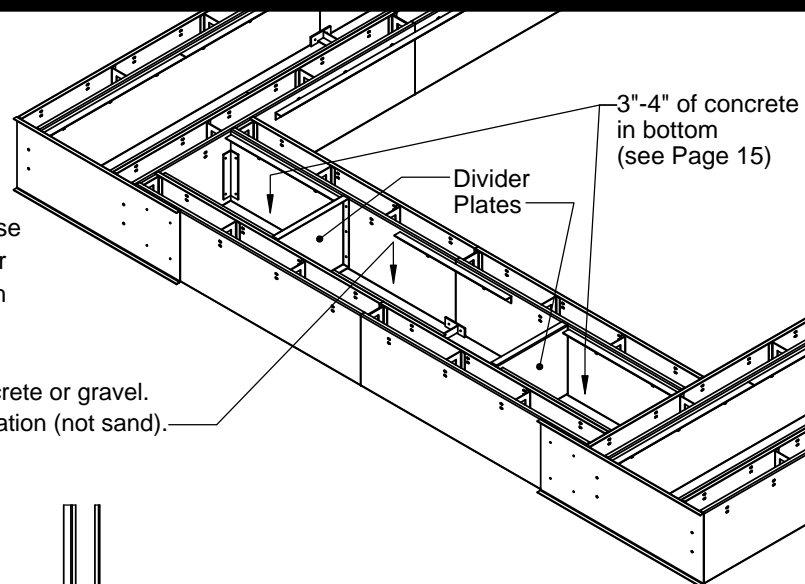
### Attach Corner Angles

- Ensure that all the wall assemblies are level with each other and at the right elevation according to the architectural plans.
- Check the to make sure the wall assemblies are square by measuring the distance between opposite corners of the sand pit.
- The corner angles will be attached in the interior corners of the sand pit.
- Once the assembly is determined to be square and level, use self-drilling screws to attach the angles to the base forms through the holes in the corner angle. The corner angles should be installed such that they do not interfere with the ledge angles.
- Each side of the additional front and back walls will receive a corner angle. The front and back wall sand catchers should have a spacing of 18.5" between base forms. The two final sand catcher braces should also be installed at this time.



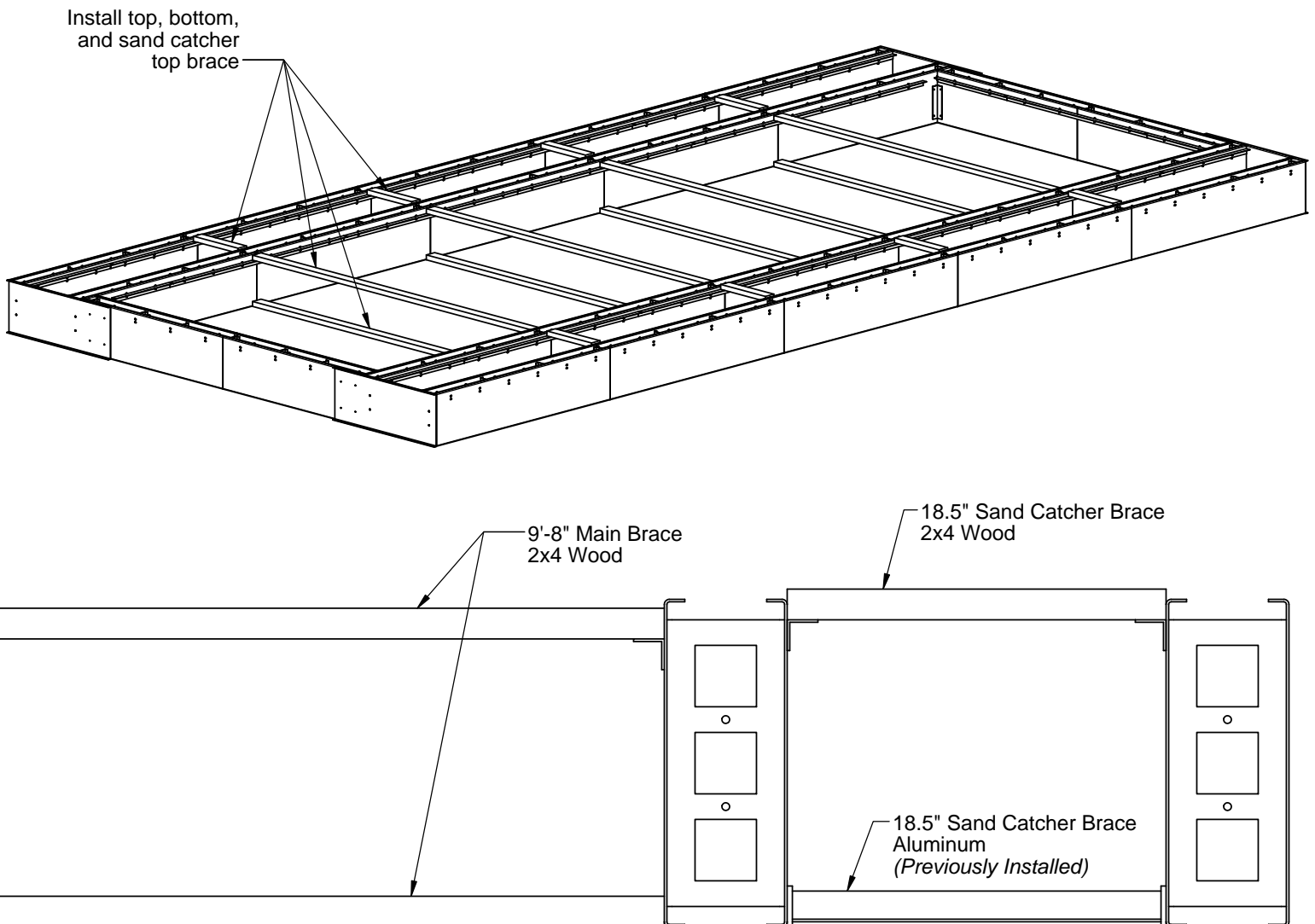
### Install Front Sand Catcher Divider Plates

- The front sand catcher divider plates should be installed 29" from the inside walls of the side sand catchers.
- Use self-drilling screws to attach the divider plates to the base forms through the holes in the plate side flanges. The divider plates should be installed such that they do not interfere with the ledge angles.



### Install Wooden Form Bracing

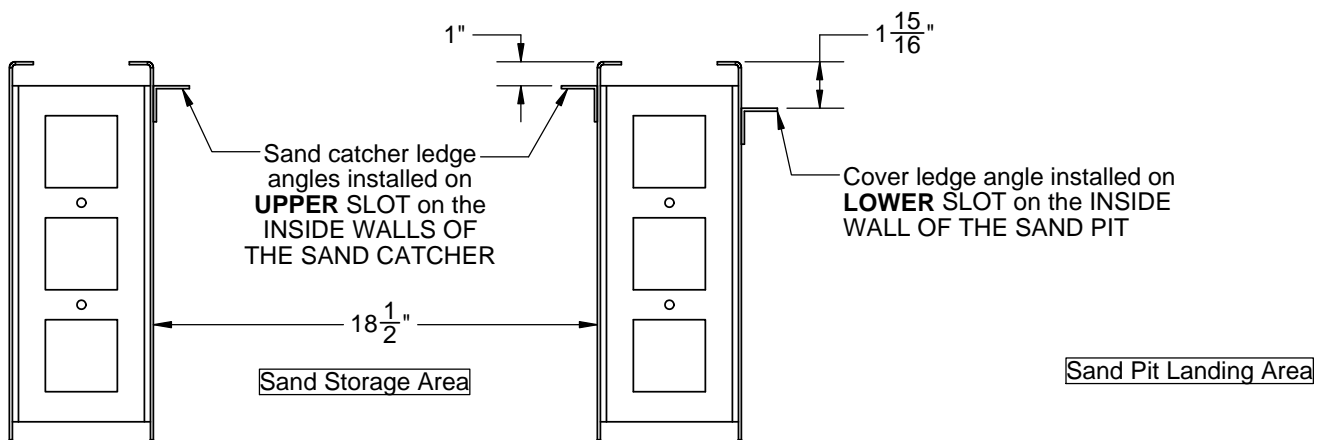
- Wooden bracing is provided to help prevent shifting and movement of the forms during the concrete pour, curing, and back-fill operations
- Place the bracing 2x4 at the bottom of the forms and on top of the ledge angles at the joints in the base forms. Also install 2x4 bracing on top of the angles in the sand catcher.





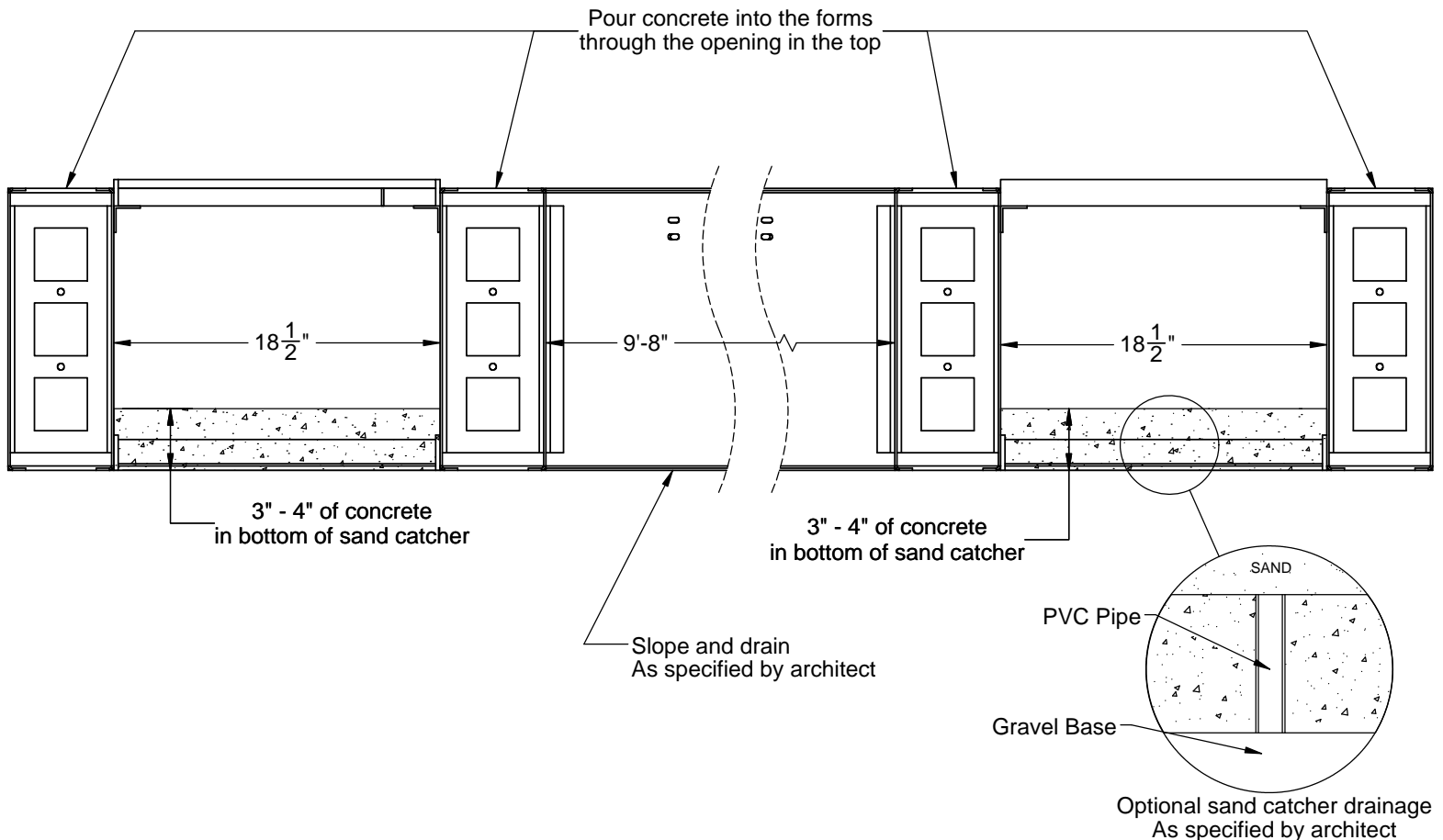
***BEFORE POURING CONCRETE CHECK THE FOLLOWING ITEMS:***

- Check that all bolts are tight.
- Check that the sand pit forms are square.
- Check that the sand pit forms are level.
- Check that the sand pit forms are placed according to the architectural plans and specifications.
- Check that all un-used slots have duct tape covering them inside the forms.
- Check the depth of the ledge angles:
  - Sand pit ledge angles should be installed in the **LOWER** slots on the base form and be  $1\frac{15}{16}$ " below top of the base forms.
  - Sand catcher ledge angles should be installed in the **UPPER** slots on the base form and be 1" below the top of the base forms.



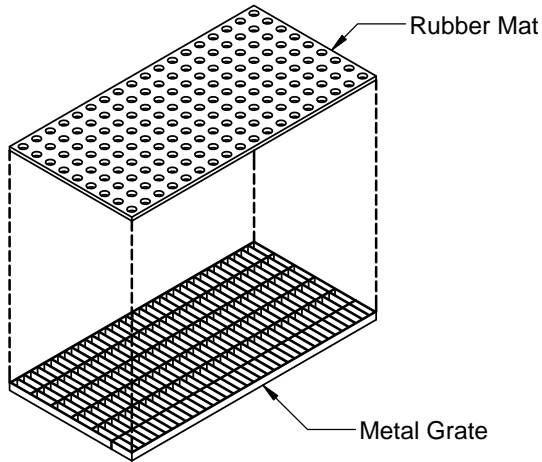
### Pour Concrete

- **Before and during the concrete pour, check the pit dimensions to make sure no shifting has occurred.**
- Pour concrete into the forms through the opening at the top.
- Pour concrete into the bottom of the sand catcher as to fully cover the permanent sand catcher braces, about 3" - 4".
- Smooth the concrete off at the top of the forms and bottom of sand catcher then cover with plastic or apply a wax film over all exposed concrete to minimize water loss.
- **Allow the concrete to set hard before proceeding further.**
- Keep the wooden bracing in place while concrete is curing and during back-fill operations.
- Using the specified or appropriate fill material, back-fill and compact around the outside of the sand pit forms.
- It is recommended that at this time the specified fill material inside the pit, i.e. crushed stone, filter fabric, pit sand, etc. also be installed. This will help further stabilize the sand pit walls against movement.

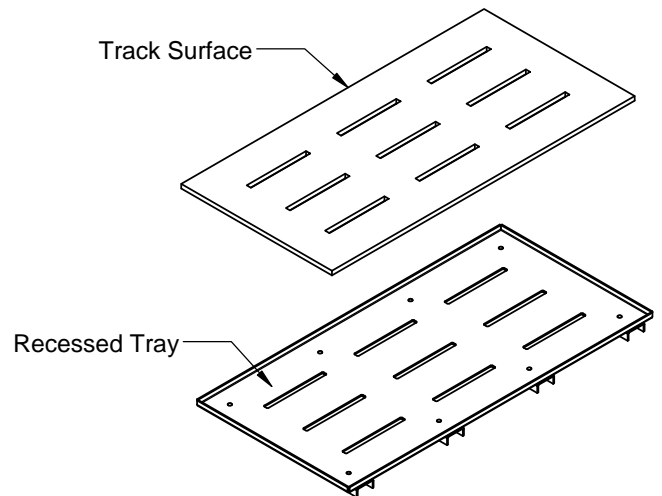


### Install Sand Catcher Covers

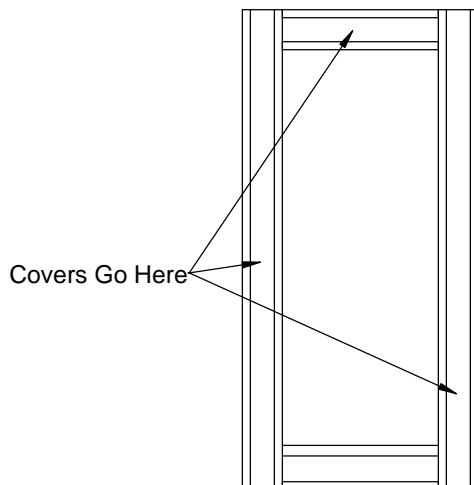
- F442**
- The included sand catcher covers come as two pieces: a metal grate and a rubber mat.
  - The rubber mat can be attached to the metal grate with the included zip ties.
  - The sand catcher covers measure 18" x 36".
  - There will also be two (2) sand catcher covers that measure 18" x 22". These covers are to be used on the additional sand catchers on the back wall.
  - There will also be two (2) sand catcher covers that measure 18" x 29". These covers are to be used on the additional sand catchers on the front wall.
- F462**
- The included sand catcher covers are recessed to receive track surface.
  - Poured track surface OR roll out track surface can be used.
  - The track surface material is not included.
  - The sand catcher covers measure 18" x 36".
  - There will also be two (2) sand catcher covers that measure 18" x 22". These covers are to be used on the additional sand catchers on the back wall.
  - There will also be two (2) sand catcher covers that measure 18" x 29". These covers are to be used on the additional sand catchers on the front wall.



Sand Catcher Cover Assembly



### For F442 & F462 Models:







www.gillathletics.com  
800-637-3090

# APPENDICES

These overview sheets are attached to help clarify the location and size of base forms and ledge angles.

There is an overview sheet for each specific model.

F44225 & F46225 - Sand Pit Form with Side, Back, and Front Sand Catchers - 25' Long

F44228 & F46228 - Sand Pit Form with Side, Back, and Front Sand Catchers - 28' Long

F44231 & F46231 - Sand Pit Form with Side, Back, and Front Sand Catchers - 31' Long



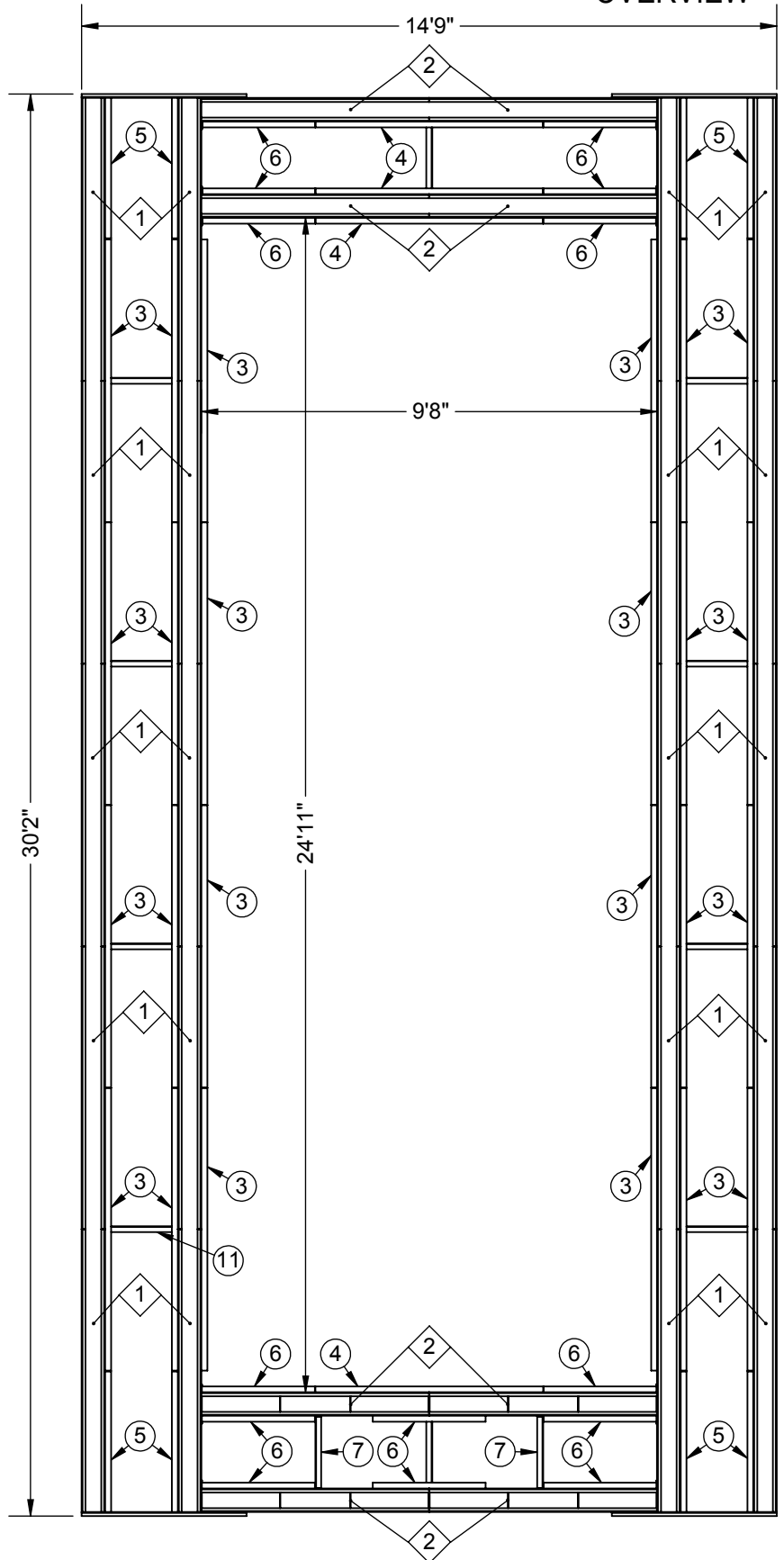
www.gillathletics.com  
800-637-3090

# F44225 - SAND PIT FORM with SIDE, FRONT, & BACK SAND TRAPS OVERVIEW

This drawing represents how the base form sections and angles should be positioned. Other components and details may be omitted.

ITEM NO.	PART NUMBER	DESCRIPTION	QTY.
1	F44089	F4 SERIES - 72" SAND PIT BASE FORM	20
2	F44088	F4 SERIES - 58" SAND PIT BASE FORM	8
3	F44086	F4 SERIES - 72" SLOTTED LEDGE ANGLE	24
4	F44084	F4 SERIES - 58" SLOTTED LEDGE ANGLE	4
5	F44083	F4 SERIES - 35.75" SLOTTED LEDGE ANGLE	8
6	F44082	F4 SERIES - 28.75" SLOTTED LEDGE ANGLE	14
7	F44091	F442 SERIES FRONT TRAP DIVIDER PLATE	2

Base forms are called out with diamonds.  
All other components called out with circles.



GILL ATH  
4/16/2012  
F44225



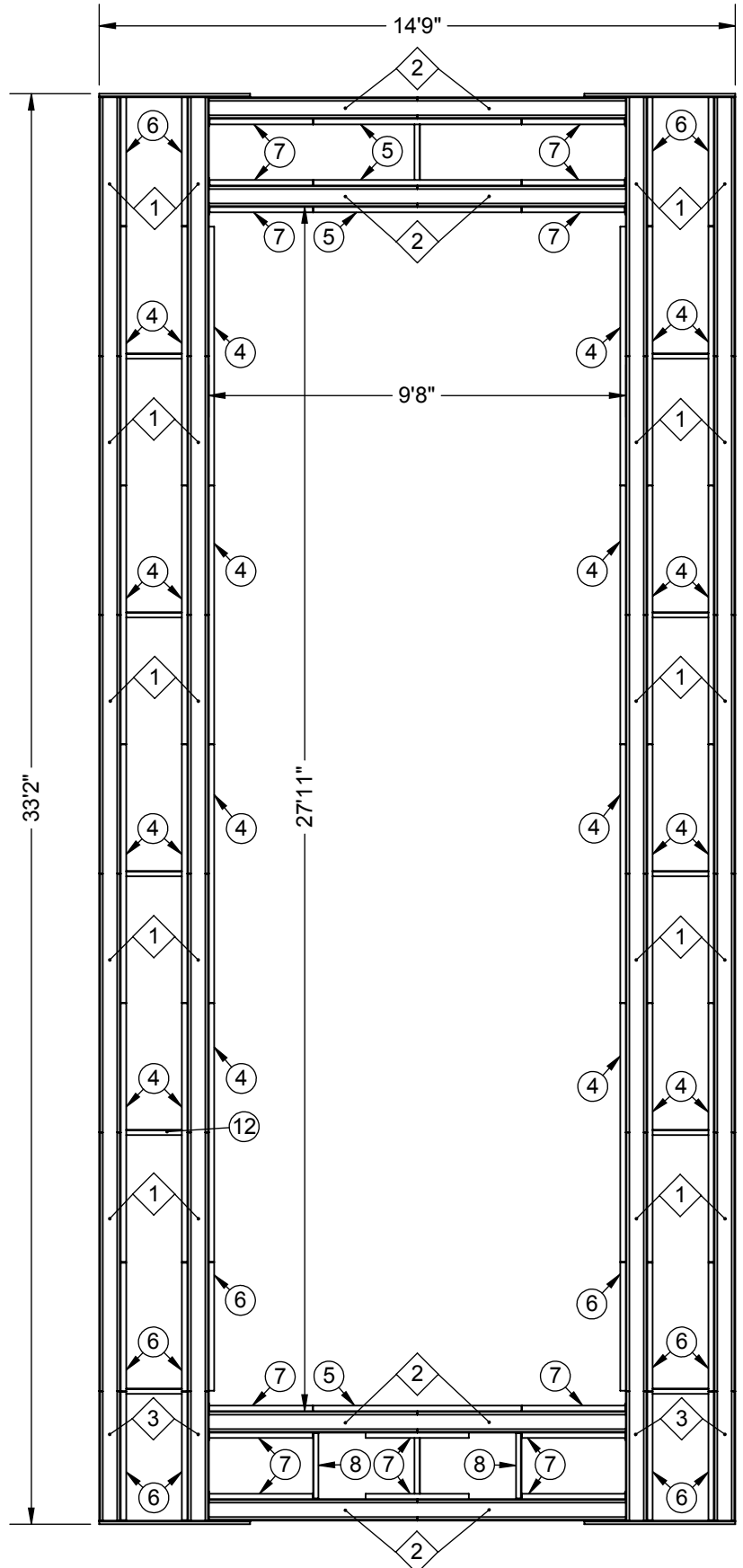
www.gillathletics.com  
800-637-3090

# F4428 - SAND PIT FORM with SIDE FRONT, & BACK SAND TRAPS OVERVIEW

This drawing represents how the base form sections and angles should be positioned. Other components and details may be omitted.

ITEM NO.	PART NUMBER	DESCRIPTION	QTY.
1	F44089	F4 SERIES - 72" SAND PIT BASE FORM	20
2	F44088	F4 SERIES - 58" SAND PIT BASE FORM	8
3	F44087	F4 SERIES - 36" SAND PIT BASE FORM	4
4	F44086	F4 SERIES - 72" SLOTTED LEDGE ANGLE	24
5	F44084	F4 SERIES - 58" SLOTTED LEDGE ANGLE	4
6	F44083	F4 SERIES - 35.75" SLOTTED LEDGE ANGLE	14
7	F44082	F4 SERIES - 28.75" SLOTTED LEDGE ANGLE	14
8	F44091	F442 SERIES FRONT TRAP DIVIDER PLATE	2

Base forms are called out with diamonds.  
All other components called out with circles.





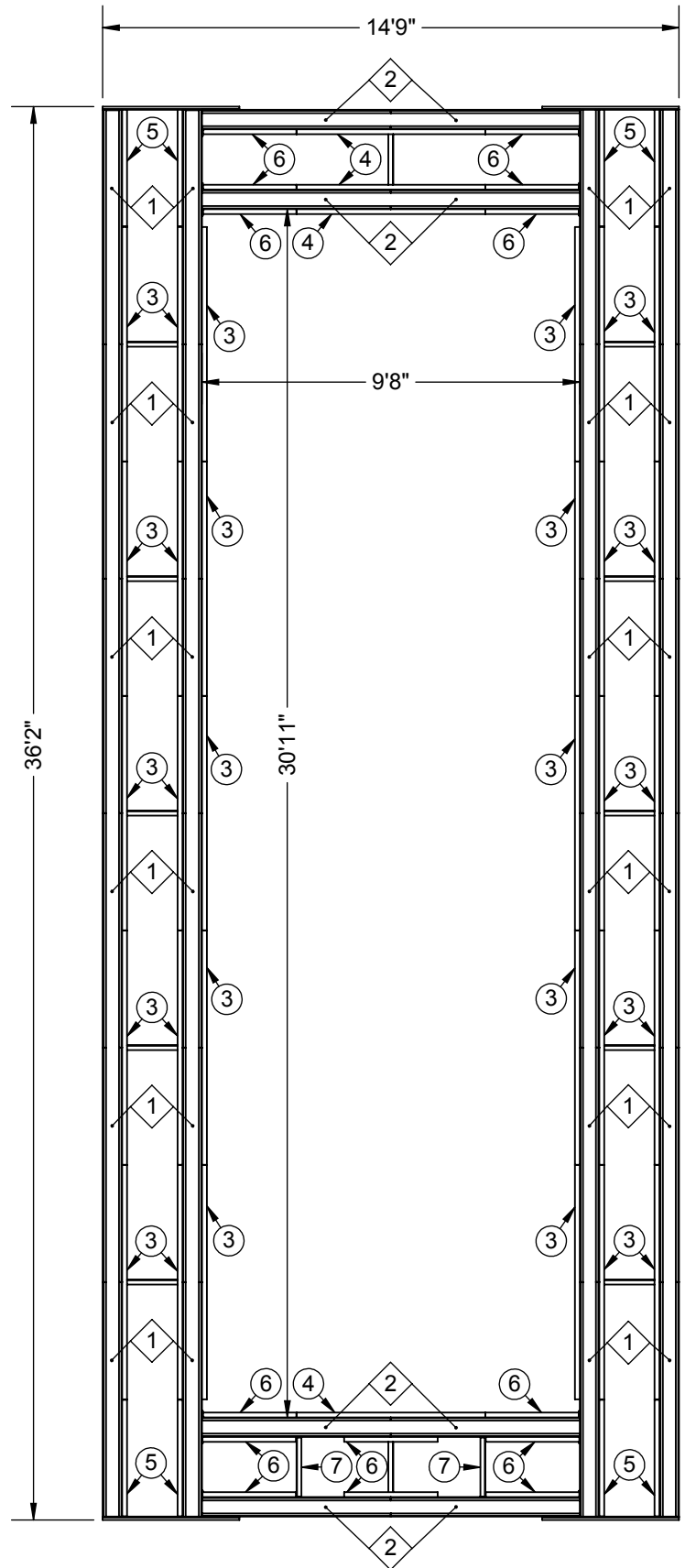
www.gillathletics.com  
800-637-3090

# F44231 - SAND PIT FORM with SIDE, FRONT, & BACK SAND TRAPS OVERVIEW

This drawing represents how the base form sections and angles should be positioned. Other components and details may be omitted.

ITEM NO.	PART NUMBER	DESCRIPTION	QTY.
1	F44089	F4 SERIES - 72" SAND PIT BASE FORM	24
2	F44088	F4 SERIES - 58" SAND PIT BASE FORM	8
3	F44086	F4 SERIES - 72" SLOTTED LEDGE ANGLE	30
4	F44084	F4 SERIES - 58" SLOTTED LEDGE ANGLE	4
5	F44083	F4 SERIES - 35.75" SLOTTED LEDGE ANGLE	8
6	F44082	F4 SERIES - 28.75" SLOTTED LEDGE ANGLE	14
7	F44091	F442 SERIES FRONT TRAP DIVIDER PLATE	2

Base forms are called out with diamonds.  
All other components called out with circles.



GILL ATH  
4/16/2012  
F44231