

WARNING

Football goals are shipped unassembled.

Read all instructions thoroughly before attempting to assemble this equipment.

Assembly of this equipment must be done by physically capable adults only. All installations should be conducted by experienced contractors and in accord with all applicable codes, laws and regulations. Suggested instructions herein are illustrative only and should be adapted to suit local requirements. Gill Athletics is not responsible for the manner in which this product is installed.

WARNING

Read all warnings thoroughly before using this equipment. Failure to comply with the following instructions and warnings may result in serious injuries and/or property damage.

- DO NOT allow any individuals to climb onto these goal posts.
- Keep organic material away from the base of the posts. Grass, litter, etc. could cause corrosion and/or deterioration.
- Regularly check the entire structure for signs of corrosion and repaint with an exterior grade, rust-resistant enamel.
- Check structure before each use for loose or missing hardware, and repair before use.

The owner of this equipment is responsible to ensure that all individuals follow these safety and operating instructions to avoid injuries or property damage. Proper use and supervision of this equipment is essential to help reduce the possibility of accidents or injuries.

These football goal posts are provided with a factory-applied powder-coated finish. Great care must be taken during the installation of these goal posts to protect the finish from damage. An aerosol can of touch-up paint is provided with each pair of football goal posts. Check entire goal post for scratches that may have occurred during shipping or installation. Use the touch-up paint to repaint these scratches.

⚠ WARNING: This product can expose you to Vinyl Chloride, which is known to the State of California to cause cancer. For more information go to www.p65warnings.ca.gov.



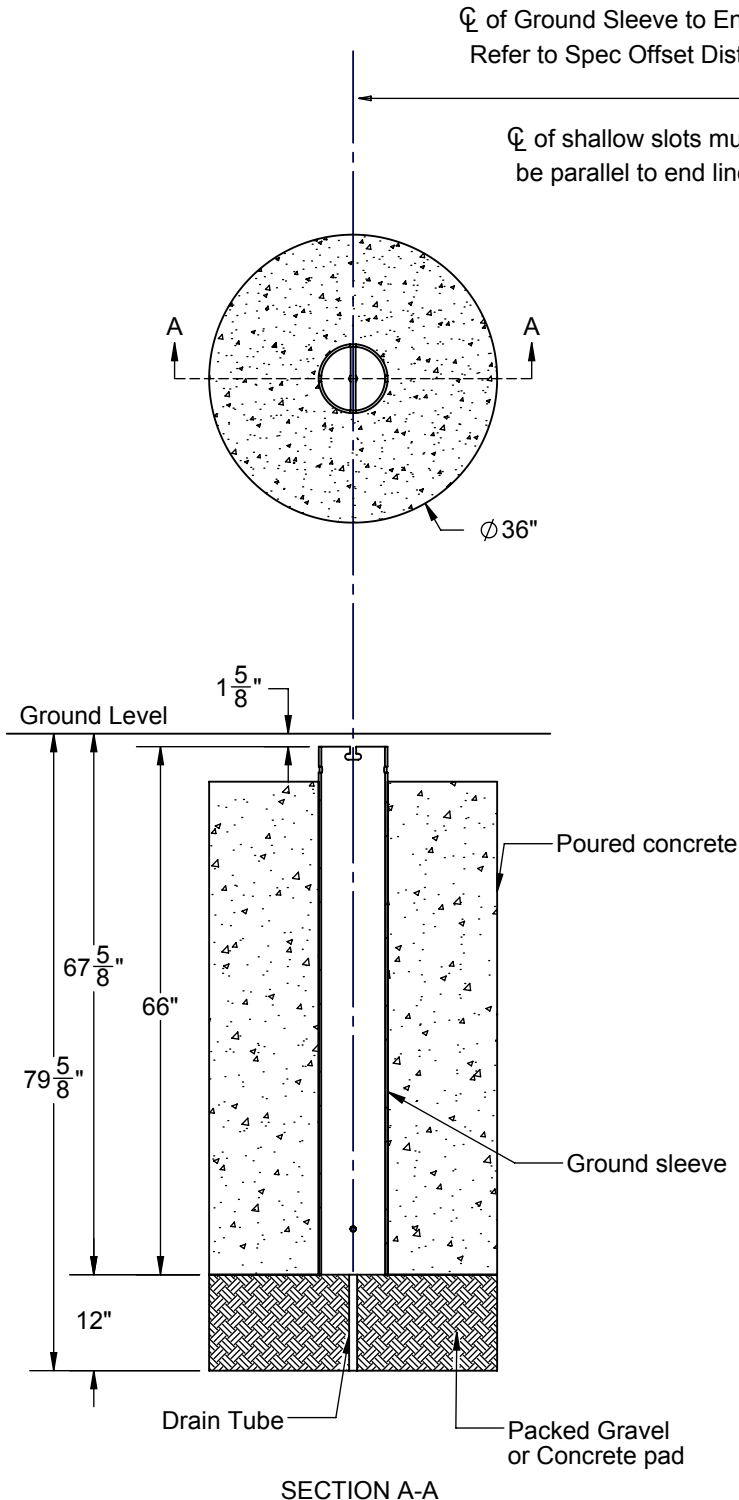
www.gillathletics.com
800-637-3090

STEEL FOOTBALL GOAL INSTRUCTIONS GROUND SLEEVE INSTALLATION

Read all instructions before installing.

Local soil conditions will determine the actual size of concrete foundations. The following instructions are recommendations only, and should be considered minimums.

Locate the position of the goal post according to plans and specs. Excavate a hole which is at least 36" across and 80" deep. Set a form for a concrete foundation. A 36" diameter cardboard tube or corrugated metal pipe is recommended. The top of the form should be 6" below finished grade (for artificial infill turf fields, use top of infill material as finished grade elevation). Locate the formwork so that the ground sleeve will be centered within the form. Pour a flat, concrete pad in the bottom of the formwork and let it set hard. A packed bed of rocks will also suffice in most situations.



Center the ground sleeve on concrete pad or bed of rocks. Orient the sleeve so that an imaginary line through the upper (shallow) set of slots is parallel with the goal line. Place rock or fill material around the bottom of the sleeve to prevent it from moving. Using grade stakes and lumber, secure the top of the sleeve in a level and plumb position. It is critical that the sleeve be installed plumb. Final adjustment of the goal post depends on precise installation of the ground sleeve (a slight error at ground level translates to a much larger error at the top of the uprights).

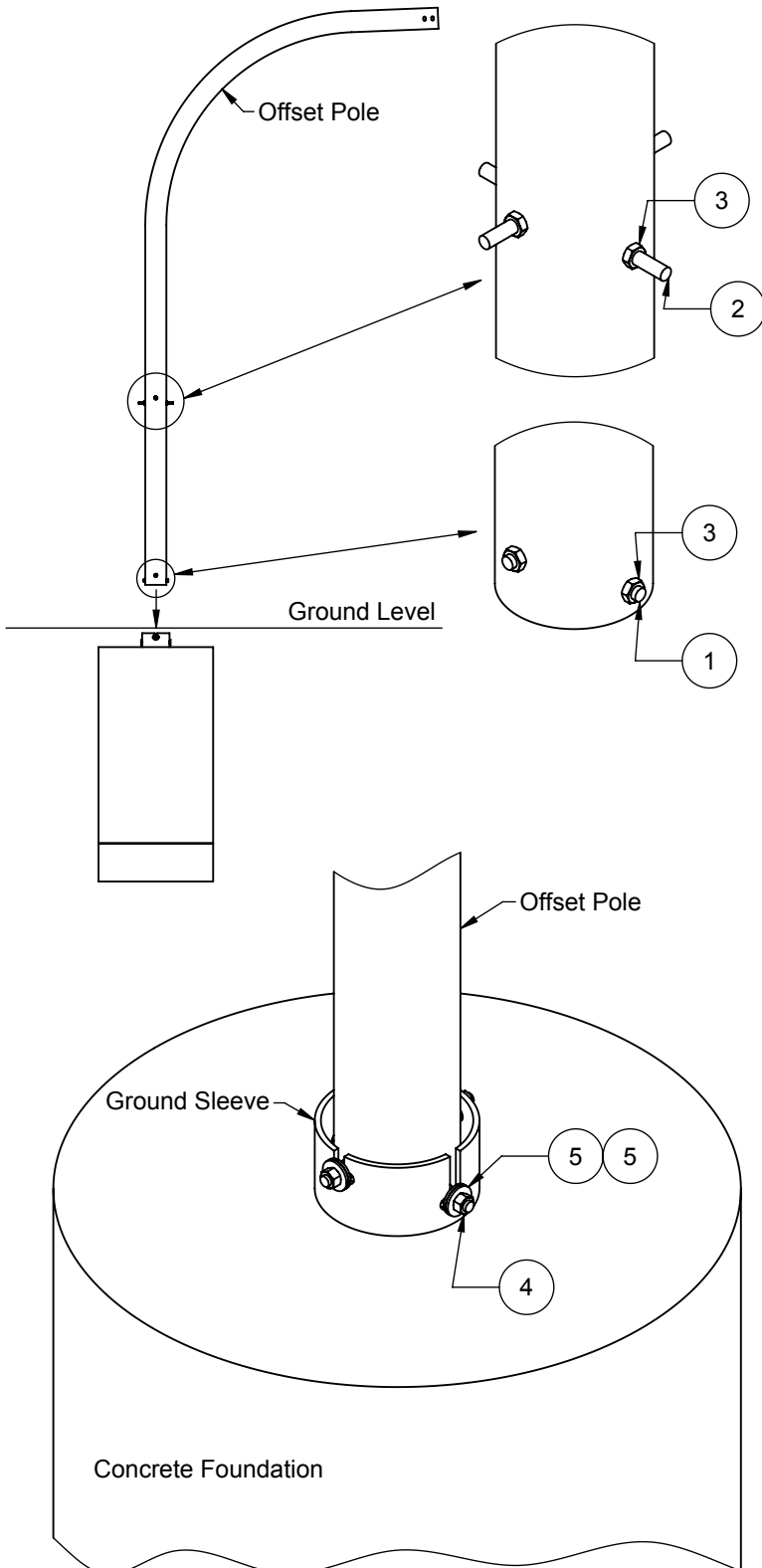
Pour concrete around the outside of the sleeve to the top of the form being careful not to move the ground sleeve. The concrete must be allowed to fully cure before installing the offset pole into the ground sleeve.



www.gillathletics.com
800-637-3090

STEEL FOOTBALL GOAL INSTRUCTIONS GROUND SLEEVED OFFSET POLE INSTALLATION

	PART #	DESCRIPTION	QTY.
1	F33011	Pole Centering Pin, 5/8"-11 x 6"	2
2	F30012	Pole Clamping Pin, 5/8"-11 x 10 3/4"	2
3	M2292	5/8-11 JAM NUT PLATED	8
4	HDWE030120E0	5/8"-11 HEX NUT	4
5	HDWE050070E0	FLATWASHER- 5/8 (USS)	8



1. Install the 5/8" x 6" threaded centering rods through the two lower pairs of holes in the offset pole. Secure the rods with 5/8"-11 jam nuts, leaving an equal amount of rod protruding from all four holes. These rods will keep the bottom of the offset pole from shifting in the ground sleeve during final adjustment. Install the 5/8" x 10 3/4" threaded leveling rods in the same fashion through the upper holes in the offset pole, securing with 5/8"-11 jam nuts.

2. **After the concrete foundation has fully cured**, set the offset pole into the ground sleeve, inserting the leveling rods into the appropriate set of notches in the top of the sleeve. Install the washers and 5/8"-11 hex nuts onto the leveling rods to the out side of the ground sleeve. Visually check the offset pole within the ground sleeve and hand tighten the four nuts.

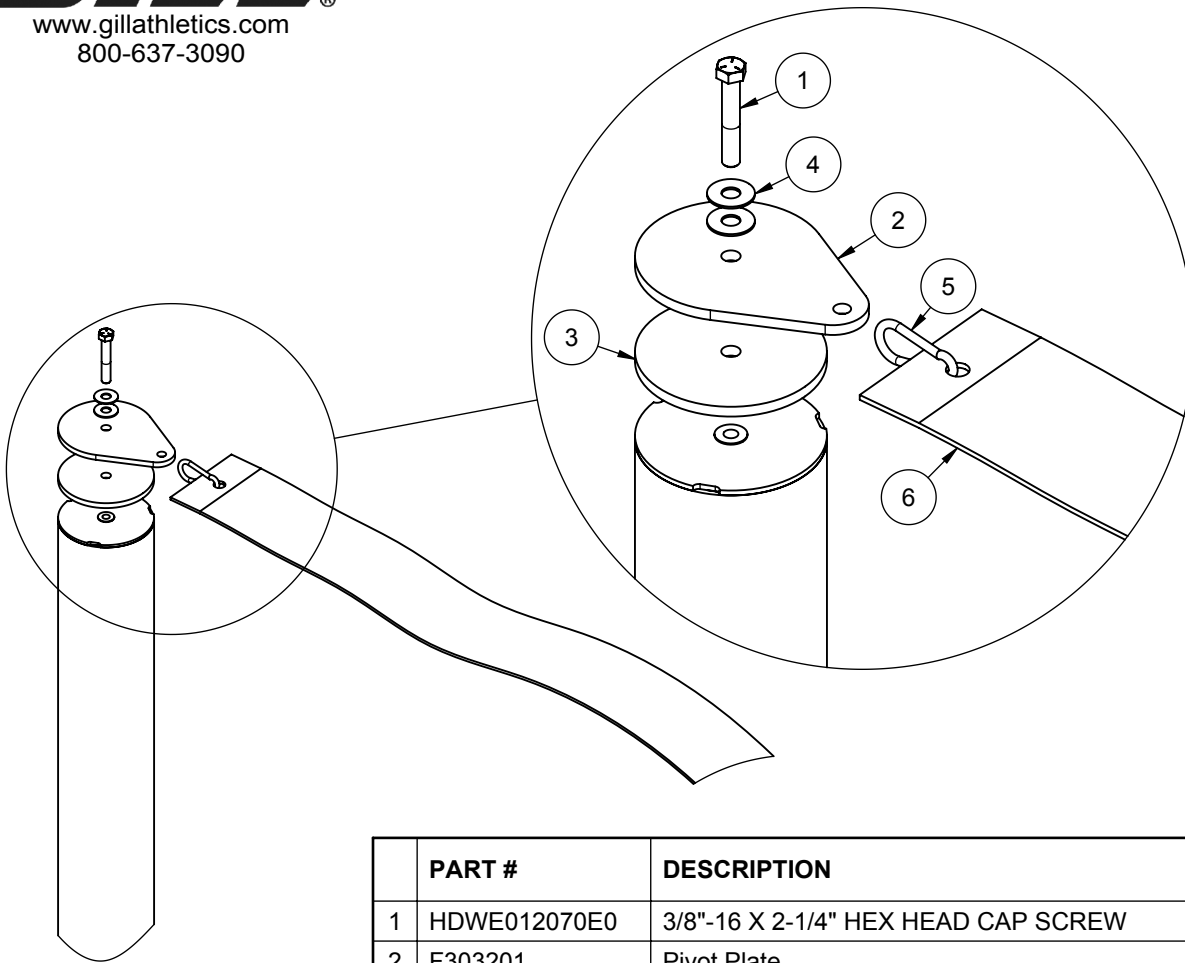
3. Using a 4' level, check to see if the offset pole is plumb. If it is, tighten the nuts around the ground sleeve securely at this time. If adjustment is required, loosen the appropriate outer nuts a small amount (a turn at a time) and tighten the opposing outer nuts until snug, then recheck. Continue this adjustment process until the offset pole is plumb. Securely tighten the four outer nuts.

10/11/2018
INSTFBSTGS
3 of 6

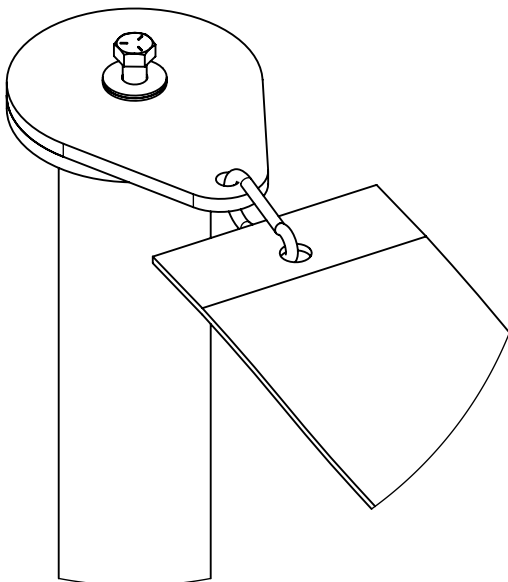


www.gillathletics.com
800-637-3090

STEEL FOOTBALL GOALS GROUND SLEEVED



	PART #	DESCRIPTION	QTY / UPRT
1	HDWE012070E0	3/8"-16 X 2-1/4" HEX HEAD CAP SCREW	1
2	F303201	Pivot Plate	1
3	F303202	Spacer Plate	1
4	HDWE55043000	NYLON WASHER- 3/8" ID X1" OD X.030 THICK	2
5	M2224	1/4 SNAP HOOK PEAR SHAPE	1
6	F380F	Football Goal Flag	1



Install the flags onto the tops of the uprights BEFORE installing the uprights onto the crossbar.

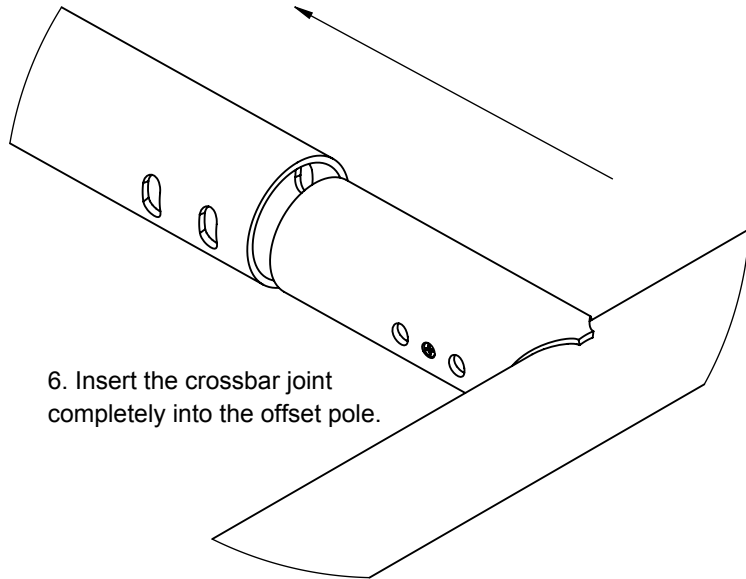
Attach the spacer plate and pivot plate to the top of the upright with bolt and washers. Make sure the bolt is snug. The bolt does not clamp down on the pivot plate. The pivot plate and spacer plate should freely spin.

Attach the karabiner to the flag and turn the karabiner around. Now attach the karabiner to the pivot plate.

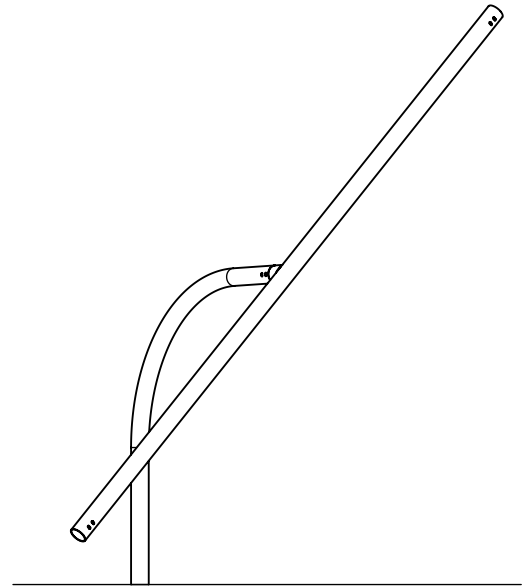


www.gillathletics.com
800-637-3090

STEEL FOOTBALL GOAL INSTRUCTIONS CROSSBAR ASSEMBLY



6. Insert the crossbar joint completely into the offset pole.



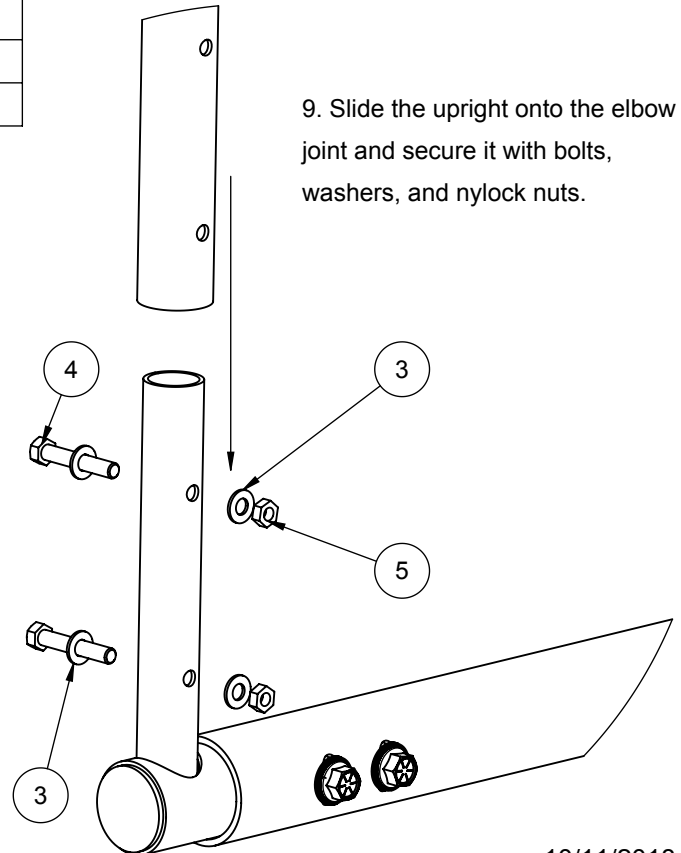
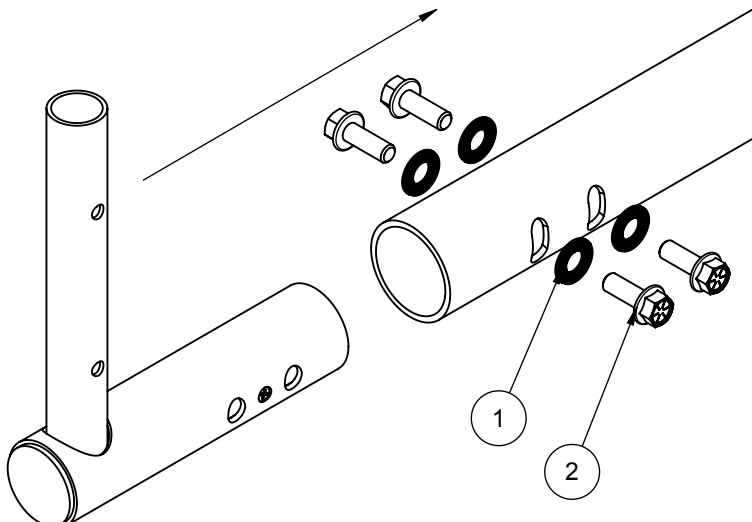
7. With caution tilt the crossbar to bring one end down to a few feet above ground level.

Use extreme caution while performing these steps. Do not stand under the crossbar and watch the crossbar insert to make sure the joint is not slipping out.

#	Part #	Description	QTY.
1	HDWE55084	Serrated Wedge Lock Washer	4
2	HDWE08069	5/8" - 11 X 1.75" Flanged Bolt; Gr 8	4
3	HDWE050050E0	1/2" Flatwasher	4
4	HDWE011400E0	Hex Bolt 1/2" - 13 X 3" Gr 5	2
5	HDWE030210E0	1/2"-13 Thin Nylock Hex Nut	2

8. Insert the elbow joint into the crossbar and secure it with serrated washers and flange bolts.

Snug the bolts, but do not tighten them all the way. These will need to be loosened later to plumb the uprights.

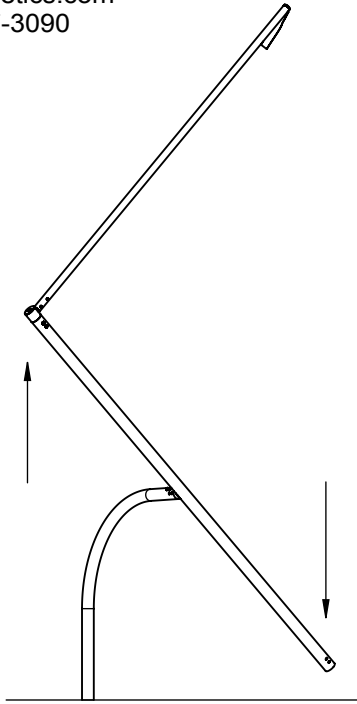


9. Slide the upright onto the elbow joint and secure it with bolts, washers, and nylock nuts.



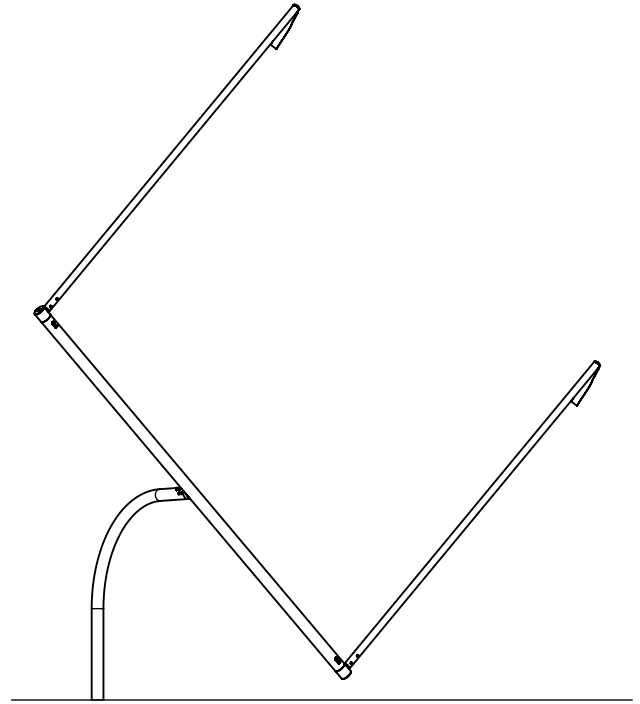
www.gillathletics.com
800-637-3090

STEEL FOOTBALL GOAL INSTRUCTIONS CROSSBAR ASSEMBLY



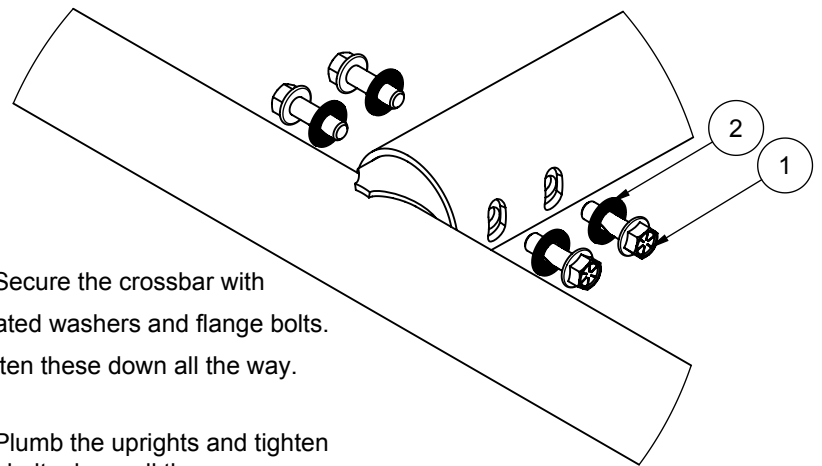
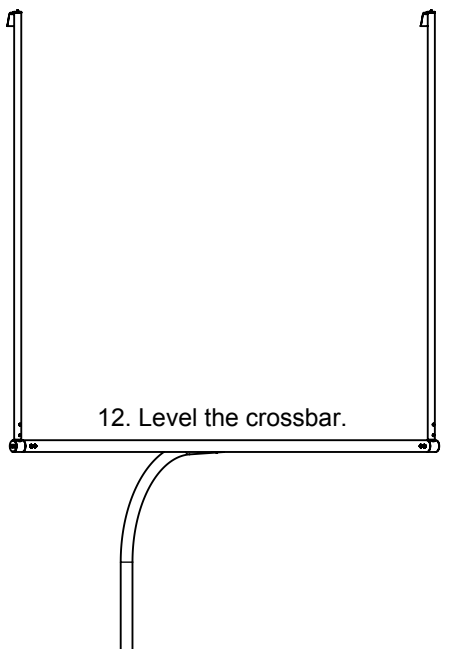
10. With caution tilt the crossbar to bring the other end down to a few feet above ground level.

Use extreme caution while performing these steps. Do not stand under the crossbar and watch the crossbar insert to make sure the joint is not slipping out.



11. Install the second elbow joint and upright the same way as the first one.

	PART #	DESCRIPTION	QTY
1	HDWE01299	5/8"-11 x 2" Flanged Bolt; Gr8	4
2	HDWE55084	Serrated Wedge Lock Washer	4



13. Secure the crossbar with serrated washers and flange bolts. Tighten these down all the way.

14. Plumb the uprights and tighten their bolts down all the way.